

# 460MI9W



UPC Code: 07847712595

Country of Origin: Sweden - \*Eligible for  
ARRA funded projects > \$7,443,000

Configuration:



## Item Description

60 Amp, 240 Volt 3-Phase, IEC 309-1 & 309-2, 3P, 4W, Mechanical Interlock North American Pin & Sleeve Receptacle, Hub Sold Separately (See Leviton Cat Number HUB-xxx), Industrial Grade, IP67, Watertight, Non-Fused - BLUE

## Technical Information

### AC Horsepower Ratings

**At Rated Voltage:** 20 HP

### Electrical Specifications

**Amperage:** 60 Amp

**Voltage:** 240 Volt 3-Phase

**Pole:** 3

**Wire:** 4

**Current Interrupting:** Certified for current interrupting at full rated current

**Endurance:** 6,000 cycles inductive motor type load

**Dielectric Voltage:** 1000 V plus rated voltage for 1-minute

### Environmental Specifications

**Flammability:** No 0.6; V-0 for watertight enclosure

**Rain:** Type 3R per UL 50

**Hosedown:** Type 4X per UL 50

**Dust:** Type 12K per UL 50

**Gasket Aging:** 70C for 168 hours

**UV Resistance:** Exposed plastic materials are UV stabilized

**Operating Temperature:** -40C to 60C

### Material Specifications

**Housing Material:** Valox 357

**Cover with Arm:** Valox 357

**Locking Ring:** Valox 357

**Cover Eyelet:** Nickel-Plated Brass

**Gasket Material:** Chloroprene

**Handle Material:** Valox 357

**Actuator Material:** Zinc-Coated Steel

**Locking Mechanism:** Valox 357

**Contact Carrier:** Nylon

**Phase and Ground Sleeves:** Brass

**Ground Contacts:** Brass

**Conduit Grounding Plate:** Zinc-Coated Steel

**Switch Material:** Reinforced Nylon

**Switch Terminal Contacts:** Brass

**Switch Contacts:** Cadmium-Free Silver Alloy

**Internal Screws:** Zinc-plated steel

**Housing Screws:** Stainless Steel

**Ground Buss:** Brass

**Neutral Buss:** Brass

### Mechanical Specifications

**Mold Stress Relief:** 70°C for 7 hours

**Crush Test:** 100 lbs

**Impact:** 1.2 lb ball dropped from 5 ft

**Cold Impact:** Same as above, after conditioning to -35C

**Strength of Insulating Base and Support:** 110% of specified tightening torque on terminal screws

**Pullout:** 18 lb pull on internal wires

### Product Features

**Color:** Blue

### Standards and Certifications

**UL:** 231 & 1686

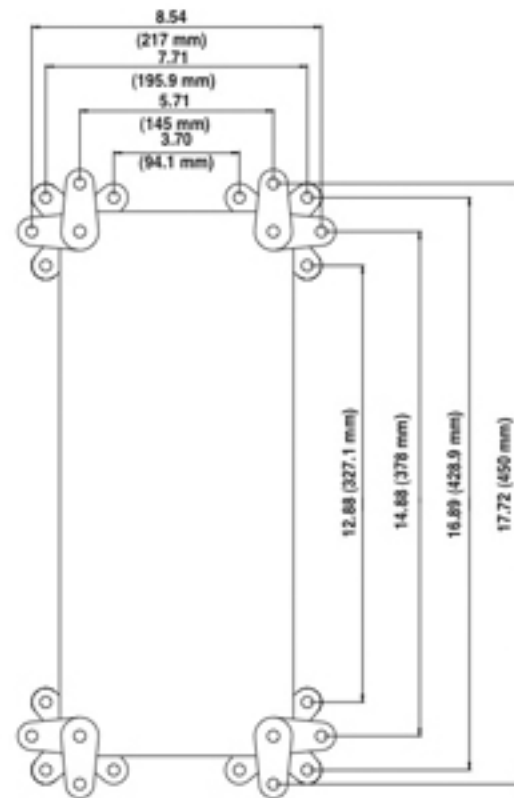
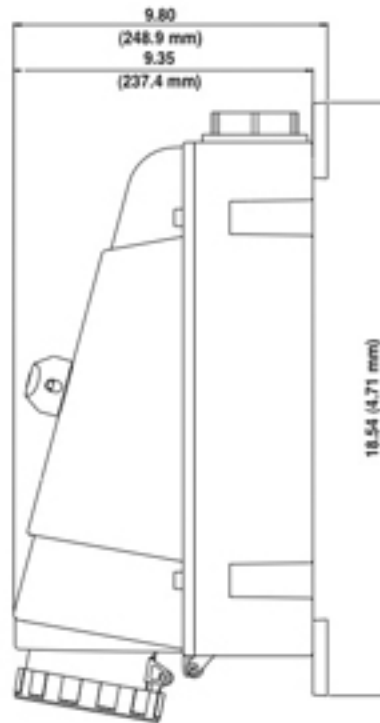
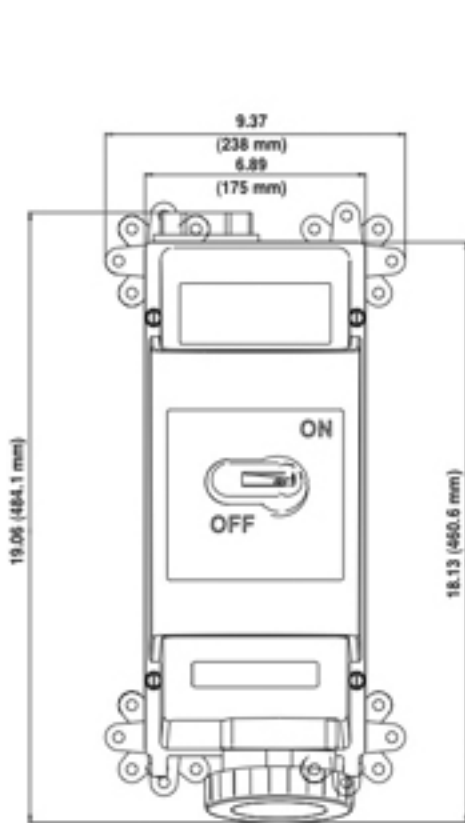
**UL 508:** Non-Fused

**CSA:** C22.2

**CE Marking:** Per low voltage directives 73/23/EEC, 93/68/EEC

**IEC Rating:** 60309-1 and 60309-2

**Warranty:** 2-Year Limited



**SPECIFICATION SUBMITTAL**

JOB NAME: <input type="text"/>	CATALOG NUMBERS: <input type="text"/>	
JOB NUMBER: <input type="text"/>	<input type="text"/>	<input type="text"/>

**Leviton Manufacturing Co., Inc.**

201 North Service Road, Melville, NY 11747

Telephone: 1-800-323-8920 · FAX: 1-800-832-9538 · Tech Line (8:30AM-7:30PM E.S.T. Monday-Friday): 1-800-824-3005

**Leviton Manufacturing of Canada, Ltd.**

165 Hymus Boulevard, Pointe Claire, Quebec H9R 1E9 · Telephone: 1-800-469-7890 ·

FAX: 1-800-824-3005 · [www.leviton.com/canada](http://www.leviton.com/canada)

**Leviton S. de R.L. de C.V.**

Lago Tana 43, Mexico DF, Mexico CP 11290 · Tel.: (+52)55-5082-1040 · FAX: (+52)5386-1797 · [www.leviton.com.mx](http://www.leviton.com.mx)

**Visit our Website at: [www.leviton.com](http://www.leviton.com)**

© 2012-2013 Leviton Manufacturing Co., Inc. All rights reserved. Subject to change without notice.



**Leviton has a global presence.**

If you would like to know where your local Leviton office is located please go to: [www.leviton.com/international/contacts/](http://www.leviton.com/international/contacts/)

*\*Buy American Compliant Logo -- The American Recovery And Reinvestment Act of 2009 ("ARRA") provides federal grants and loans for projects throughout the country. Section 1605 of the Act, named the "Buy American" provision, requires that certain materials and manufactured products used in projects funded by the Act be manufactured in the United States. The appearance of the Recovery Act Logo in relation to a Leviton product is only intended to reflect that such product may be used in an ARRA funded project. It does not mean that such product or Leviton is sponsored or endorsed by, or that Leviton receives funds from, the federal government or the Recovery Accountability and Transparency Board. Nothing in Leviton's use of the logo is intended to suggest anything regarding the requirements for funding under ARRA.*