

7556

Locking Wiring Devices



UPC Code: 07847781828

Country of Origin: United States - **Eligible for ARRA funded projects*

Configuration:



Brand Features

Leviton's industry leading locking devices, such as our Black & White line of industrial grade plugs and connectors and our V-0-Max line of industrial grade flush receptacles, offer superior performance, long lasting reliability and other features that are backed by a lifetime warranty.

Item Description

15/10 Amp, 125 Volt/250 Volt, NEMA Non-NEMA, 3P, 3W, Flanged Inlet Locking Receptacle, Industrial Grade, Non-Grounding - WHITE

Technical Information

Electrical Specifications

Grounding: Non-Grounding

Amperage: 15/10 Amp

Voltage: 125 Volt/250 Volt

NEMA: Non-NEMA

Pole: 3

Wire: 3

Dielectric Voltage: Withstands 2000V per UL498

Current Limiting: Full Rated Current

Temperature Rise: Max 30C after 250 cycles OL at 200 percent rated current

Environmental Specifications

Flammability: Rated V-2 per UL94

Operating Temperature: -40C to 60C

Material Specifications

Face Material: Nylon

Body Material: Nylon

Line Contacts: Solid Brass

Terminal Screws: Brass 10-32

Grounding Screw: Brass 8-32

Strap Material: Thermoplastic Nylon

Color: White

Mechanical Specifications

Terminal ID: Brass-Hot, Green-Ground, White-Neutral

Product ID: Ratings permanently marked on device

Terminal ID: Brass-Hot, Green-Ground, Silver-Neutral

Terminal Accom.: 18-10 AWG

Product ID: Ratings and NEMA I.D. permanently marked on device

Termination: Back

Product Features

Color: White

Standards and Certifications

NEMA: WD-6

ANSI: C-73

UL498: File E13393

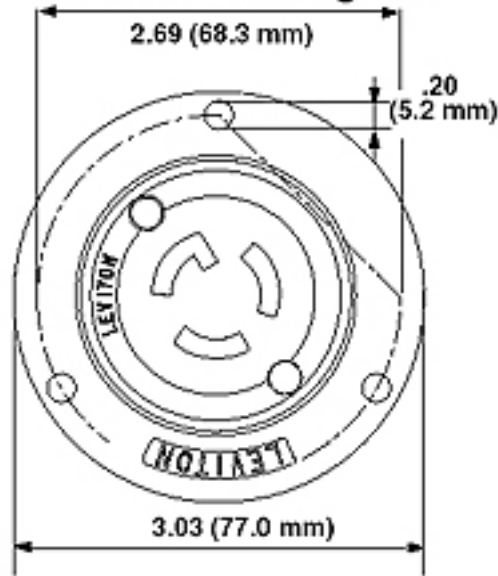
CSA C22.2 No. 42: File LR-406

NOM: 057

Warranty: Lifetime Warranty



Dimensional Diagram



SPECIFICATION SUBMITTAL

JOB NAME: <input type="text"/>	CATALOG NUMBERS: <input type="text"/>	
JOB NUMBER: <input type="text"/>	<input type="text"/>	<input type="text"/>

Leviton Manufacturing Co., Inc.

201 North Service Road, Melville, NY 11747
 Telephone: 1-800-323-8920 · FAX: 1-800-832-9538 · Tech Line (8:30AM-7:30PM E.S.T. Monday-Friday): 1-800-824-3005

Leviton Manufacturing of Canada, Ltd.

165 Hymus Boulevard, Pointe Claire, Quebec H9R 1E9 · Telephone: 1-800-469-7890 ·
 FAX: 1-800-824-3005 · www.leviton.com/canada

Leviton S. de R.L. de C.V.

Lago Tana 43, Mexico DF, Mexico CP 11290 · Tel.: (+52)55-5082-1040 · FAX: (+52)5386-1797 · www.leviton.com.mx

Visit our Website at: www.leviton.com

© 2012-2014 Leviton Manufacturing Co., Inc. All rights reserved. Subject to change without notice.

Leviton has a global presence.

If you would like to know where your local Leviton office is located please go to: www.leviton.com/international/contacts/



**Buy American Compliant Logo -- The American Recovery And Reinvestment Act of 2009 ("ARRA") provides federal grants and loans for projects throughout the country. Section 1605 of the Act, named the "Buy American" provision, requires that certain materials and manufactured products used in projects funded by the Act be manufactured in the United States. The appearance of the Recovery Act Logo in relation to a Leviton product is only intended to reflect that such product may be used in an ARRA funded project. It does not mean that such product or Leviton is sponsored or endorsed by, or that Leviton receives funds from, the federal government or the Recovery Accountability and Transparency Board. Nothing in Leviton's use of the logo is intended to suggest anything regarding the requirements for funding under ARRA.*