

Component Specifications

Part Numbers
491RU-HFR 492RU-HFR
491RU-HFO 492RU-HFO

Versi-Duct® Horizontal Cable Management System

APPLICATION

A horizontal cable management system in a slotted duct configuration designed to route cable and mount onto a standard 19" equipment rack. The ducts also come with concealing covers and an assortment of cable management accessories.

STANDARDS COMPLIANCE

Meets or exceeds all applicable standards: cULus listed and complies with TIA/EIA-568-B.

PHYSICAL SPECIFICATIONS

Dimensions: See second page.
Materials: PVC rated for 94V-O.

DESIGN CONSIDERATIONS

- Use on front and back of cable rack to route and manage cables.
- Use with either fiber or copper cabling system.
- Bend-radius Compliant Cable Router complies with TIA/EIA-568-B standards, ensuring 1.18" bend radius.

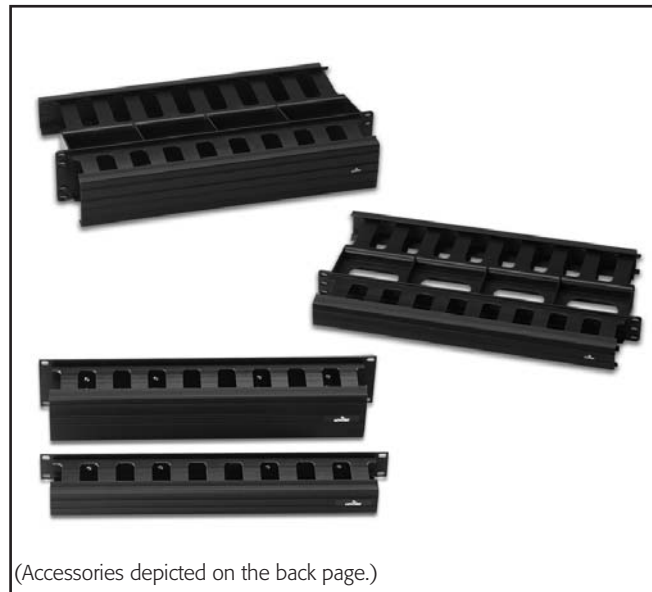
ACCESSORIES

- **Bend-Radius Compliant Router** - Routes copper or fiber cable from inside the horizontal duct to the vertical duct. Maintains 1.18" bend radius minimum. (4 per horizontal cable management system. Also sold separately.)

Accessories sold separately:

- **Cable Retainer** - Adjusts to slide along the duct finger and includes break-away detail to accommodate all duct sizes.
- **Bend-Radius Compliant Router** - Routes copper or fiber cable from inside the horizontal duct to the vertical duct. Maintains 1.18" bend-radius minimum.
- **Extended Covers** - Extended Covers are designed to conceal cables transitioning from horizontal to vertical ducts.
- **Duct Cover Hinge** - The Duct Cover Hinge is designed to easily open and close duct cover for increased protection and easy access.

See ELECTRONIC FILES for CAD files (.DXF, .DWG, MS-DOS.EPS) on disk



WARRANTY INFORMATION

For a copy of Leviton product warranties, log on to www.levitonvoicedata.com/warranty.

For ELECTRONIC Typical Specs see (.TXT) file on disk.

TYPICAL SPECIFICATION

Cable Management System shall mount horizontally to a standard 19" equipment rack. The system shall be designed with slotted duct configuration for copper and fiber cabling systems. It shall be cULus listed and compliant with TIA/EIA-568-B standards. The material shall be PVC rated for 94V-O. It shall have a duct cover, and bend-radius compliant router to transition between horizontal and vertical slotted ducts.

Versi-Duct® Horizontal Cable Management System



For Technical Support Call 1-425-485-4288; in USA call 1-800-824-3005.
Spec sheets and updates are also available at www.levitonvoicedata.com.

2222 - 222nd St. SE • Bothell, WA 98021 USA
Tel: 1-800-722-2082 / 1-425-485-4288 • Fax: 1-425-483-5270 • Int'l Fax: 1-425-485-9170 • GSA Schedule Available.

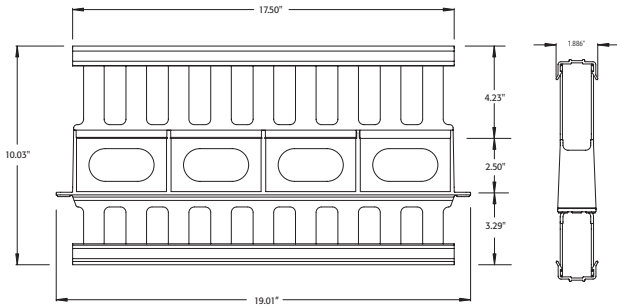


Versi-Duct® Horizontal Cable Management System

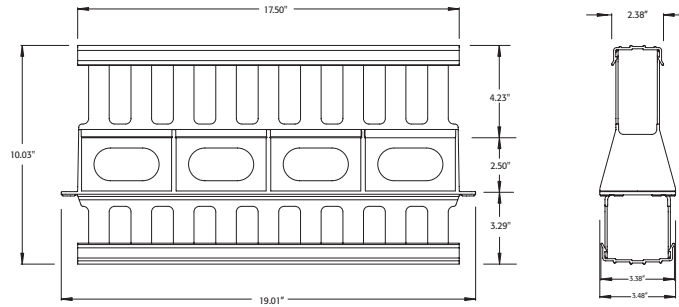
Part Numbers
491RU-HFR 492RU-HFR
491RU-HFO 492RU-HFO

DIMENSIONAL LINE ART

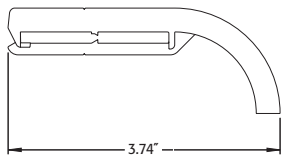
See ELECTRONIC FILES for CAD images (.DXF, .DWG, MS-DOS.EPS)



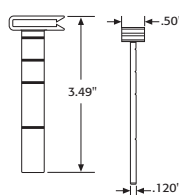
Horizontal Slotted Duct (front and rear), 1RU



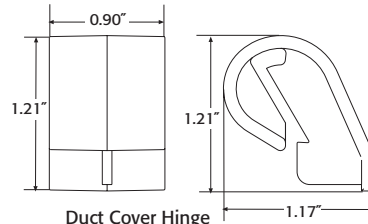
Horizontal Slotted Duct (front and rear), 2RU



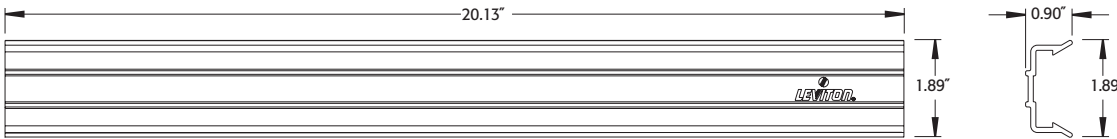
Bend-Radius Compliant Router



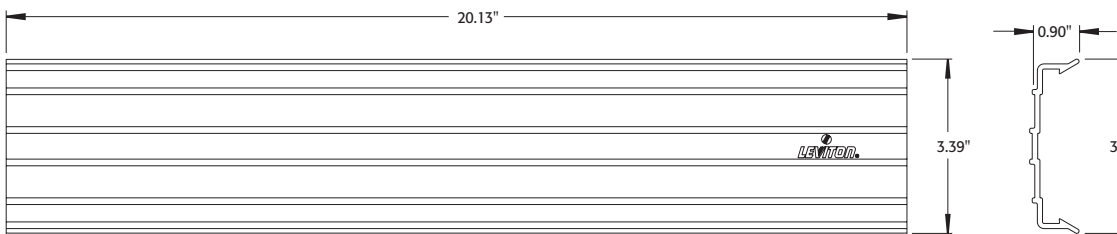
Cable Retainer



Duct Cover Hinge



Horizontal Slotted Duct Extended Cover (front and rear, 1RU)



Horizontal Slotted Duct Extended Cover (front only, 2RU)

PART NUMBER

Description	Part No.
Horizontal Slotted Duct (front and rear) 1.5"x3" front and 1.5"x4" rear, 1RU, w/ cover	491RU-HFR
Horizontal Slotted Duct (front only) 1.5"x3", w/ cover	491RU-HFO
Horizontal Slotted Duct (front and rear) 3"x3" front and 2"x4" rear, 2RU, w/ cover	492RU-HFR
Horizontal Slotted Duct (front only) 3"x3", w/ cover	492RU-HFO

ACCESSORIES

Description	Part No.
Cable Retainer	49265-WR1
Bend-Radius Compliant Router	49265-CR1
Duct Hinge	49265-HNG
Extended Covers (Front only, 1RU)	49265-EX1
(Front only, 2RU)	49265-EX3



For Technical Support Call 1-425-485-4288; in USA call 1-800-824-3005.
 Spec sheets and updates are also available at www.levitonvoicedata.com.



2222 - 222nd St. SE • Bothell, WA 98021 USA • Tel: 1-800-722-2082 / 1-425-485-4288 • Fax: 1-425-483-5270 • Int'l Fax: 1-425-485-9170 • GSA Schedule Available.