

Series 140 Structured Media™ Enclosure

APPLICATION

Leviton's new Series 140 Structured Media™ enclosure (SMC) makes running cable and managing media both simple and more cost-effective. Designed to provide a central distribution point for all your home or small office technologies, the enclosure accommodates networking, fax, Internet, DSL and cable.

FEATURES & BENEFITS

- Cutout pattern in bottom accommodates all of the same AC power modules and DC power supplies as the 28" and 42" SMCs
- Mounting slots on the enclosure simplify adjustment for different sheetrock depths
- Sheetrock depth marks (1/2", 5/8" and 3/4") on the enclosure simplify alignment
- Lance slots provide clean cable management within the enclosure
- Product may be surface- or recess-mounted
- Hinged Cover (Cat. No. 47605-14D) and Flush Mount Cover (Cat. No. 47605-14C) are designed for used with Series 140 Structured Media enclosures (Cat. Nos. 47605-140 & 47605-14E ONLY)
- Flush-mount cover overlaps 3/4" to hide possible uneven drywall cuts around the SMC
- Ships with a cardboard insert to help prevent drywall debris or paint over-spray from entering the SMC during the rough-in stage of installation
- Mounting hook on the cover aligns screw holes for easier installation
- Multiple knockouts on the top and bottom support conduit up to 2" in diameter and facilitate cable routing and entry
- Self-healing foam grommets protect cable bundles

TYPICAL SPECIFICATION

The Series 140 Structured Media™ enclosure shall be a one-piece (excluding cover) box, made of 20-gauge, white powder-coated steel. It shall flush mount with four wood screws (provided) on standard 16" center wall studs prior to drywall, or surface mount after drywall installation. The enclosure shall have a cutout to accommodate a single-gang J-Box power module, AC power module, or a Mini or Universal DC power supply. The enclosure shall include multiple knockouts on the top and bottom to support conduit up to 2" in diameter and facilitate cable routing and entry. The Series 140 Structured Media enclosure shall meet all applicable standards: be cULus and ACA listed, UL listed for fire and burglary systems, comply with all TIA/EIA-568-A and TIA/EIA-570-B requirements and meet FCC part 68. The manufacturer shall provide a two-year limited product warranty. Product and performance warranties are extended to 20 years if installed as part of a Leviton Integrated Networks Certified System.



IMPORTANT NOTES!

1. New Series 140 Structured Media enclosures and covers ARE NOT interchangeable with older ones due to changes in dimensions
2. Recess-mounting should precede drywall installation
3. SMCs MUST NOT be mounted in firewall applications

STANDARDS COMPLIANCE

- cULus and ACA listed
- Complies with all TIA/EIA 568-A and TIA/EIA 570-B requirements
- Meets FCC part 68
- UL Listed for fire and alarm systems

PHYSICAL SPECIFICATIONS

- Materials: Enclosure: 20-gauge, white powder-coated steel
Cover: 18-gauge, white powder-coated steel
- Dimensions: Enclosure: 14.13" H x 14.3" W x 3.63" D
Cover: 15.32" H x 15.62" W x 0.20" D
- Capacity: Maximum of two full-sized distribution panels

WARRANTY INFORMATION

- Two-year limited product warranty.
- Product and performance warranties are extended to 20 years if installed as part of a Leviton Integrated Networks Certified System

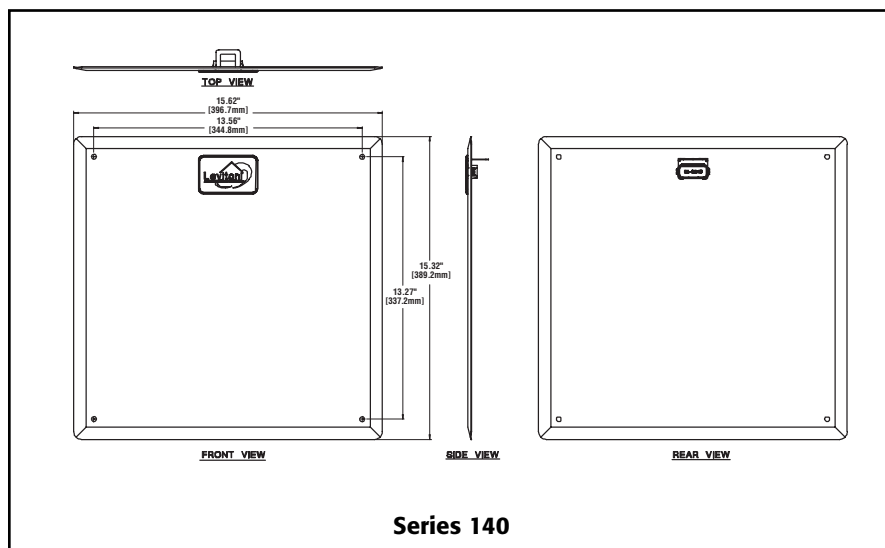
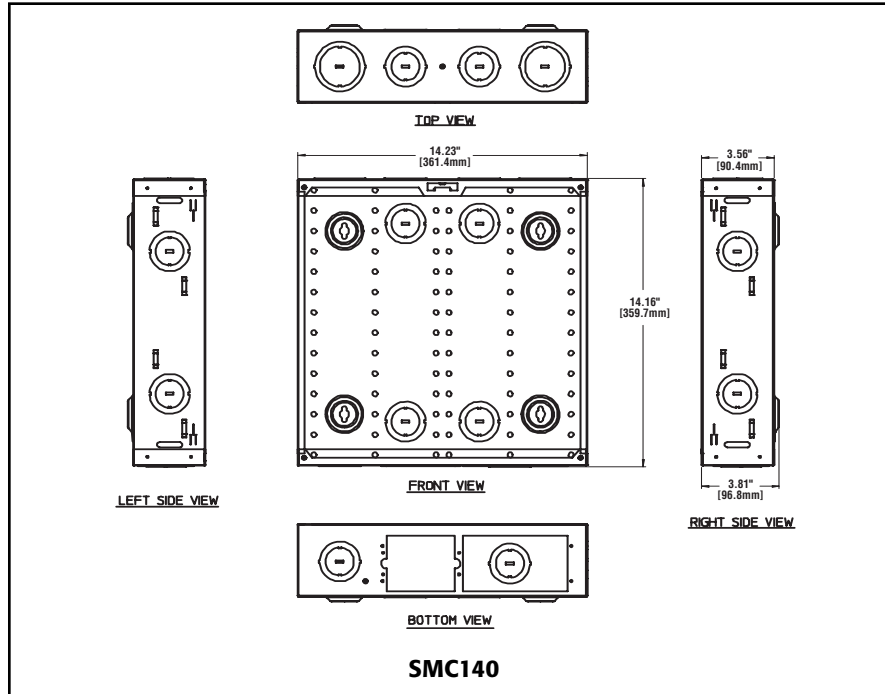
Product Specifications

**Cat. Nos. 47605-140
47605-14C & 47605-14E**
.....

ORDERING INFORMATION

Cat. No.	Description
47605-140	14" Structured Media Center Enclosure and Flush Mount Cover
47605-14E	14" Structured Media Center Enclosure only
47605-14C*	Series 140 Flush Mount Cover

*These covers are for use with Cat. Nos. 47605-140 & 47605-14E ONLY



Leviton Manufacturing Co., Inc.
59-25 Little Neck Parkway, Little Neck, NY 11362-2591 • Phone: 1-800-323-8920 • Tech Line: 1-800-824-3005 • FAX: 1-800-832-9538

Visit our Website at: www.leviton-lin.com

©2004 Leviton Manufacturing Co., Inc. All Rights Reserved



B-1047/H4-rd