



Color: Red



## 1201-PLR

### Description

15 Amp, 120 Volt, Toggle Pilot Light - Illuminated ON - Req. Neutral Single-Pole AC Quiet Switch, Industrial Grade, Self Grounding, Back & Side Wired, - Red

### Product Features

Grounding: Self Grounding

Feature: Pilot Light - Illuminated ON - Req. Neutral

Amperage: 15 Amp

Voltage: 120 Volt

HP Rating: 1/2HP-120V

Max. Amperage: 12 Amp

Termination: Back & Side

Actuator Material: Polycarbonate

Body Material: Thermoplastic

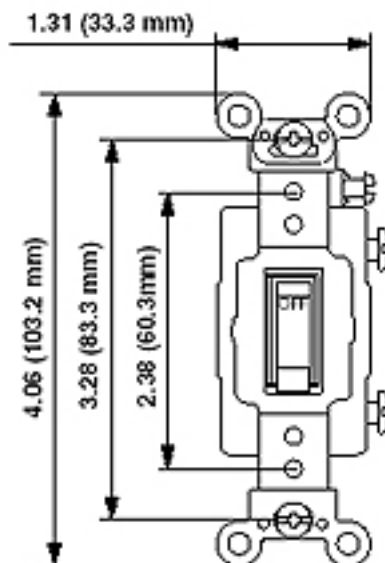
Strap Material: Steel

Color: Red

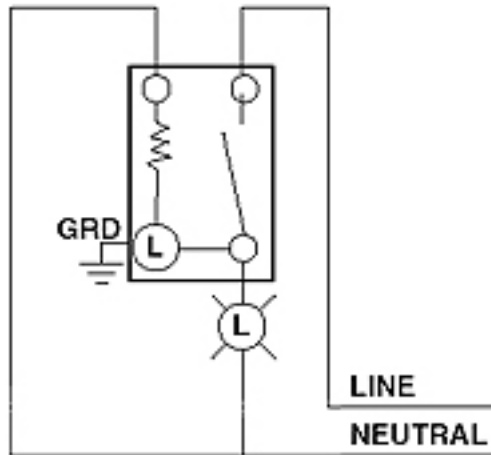
Standards and Certifications: UL/CSA

Warranty: 10 Year Limited

### Dimensional Diagram



## Wiring Diagram Single-Pole Pilot



### SPECIFICATION SUBMITTAL

JOB NAME: <input style="width: 95%;" type="text"/>	CATALOG NUMBERS: <input style="width: 95%;" type="text"/>
JOB NUMBER: <input style="width: 80%;" type="text"/>	<input style="width: 95%;" type="text"/>

**Leviton Manufacturing Co., Inc.**

59-25 Little Neck Parkway, Little Neck, NY 11362-2591

Telephone: 1-800-323-8920 · FAX: 1-800-832-9538 · Tech Line (8:30AM-7:30PM E.S.T. Monday-Friday): 1-800-824-3005

**Leviton Manufacturing of Canada, Ltd.**

165 Hymus Boulevard, Pointe Claire, Quebec H9R 1E9 · Telephone: 1-800-469-7890 · FAX: 1-800-824-3005

**Leviton S. de R.L. de C.V.**

Lago Tana 43, Mexico DF, Mexico CP 11290 · Tel.: (+52)55-5082-1040 · FAX: (+52)5386-1797 · [www.leviton.com.mx](http://www.leviton.com.mx)



**Visit our Website at: [www.leviton.com](http://www.leviton.com)**

©2007 Leviton Manufacturing Co., Inc. All rights reserved. Subject to change without notice.