

# 1285-I

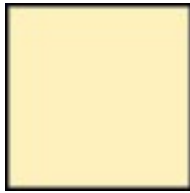
## Description

NO IMAGE FOUND

20 Amp, 120/277 Volt, Toggle Double-Throw Ctr-OFF Maintained Contact Single-Pole AC Quiet Switch, Industrial Grade, Grounding, Back & Side Wired, - Ivory

## Product Features

Color: Ivory



Grounding: Grounding

Feature: Double-Throw Ctr-OFF Maintained Contact

Amperage: 20 Amp

Voltage: 120/277 Volt

HP Rating: 1HP-120V 2HP-240V-277V

Max. Amperage: 16 Amp

Termination: Back & Side

Actuator Material: Thermoplastic

Body Material: Thermoplastic

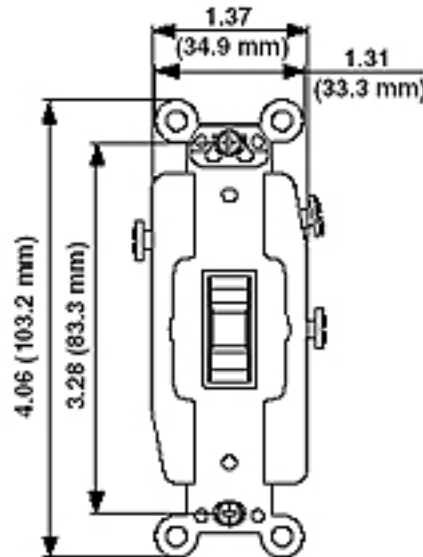
Strap Material: Steel

Color: Ivory

Standards and Certifications: UL/CSA

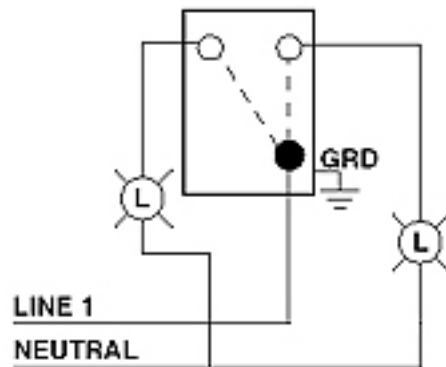
Warranty: 10 Year Limited

## Dimensional Diagram



# Wiring Diagram

## Single-Pole, Double Throw (SPDT) Center OFF



### SPECIFICATION SUBMITTAL

JOB NAME: <input type="text"/>	CATALOG NUMBERS: <input type="text"/>	<input type="text"/>
JOB NUMBER: <input type="text"/>	<input type="text"/>	<input type="text"/>

#### Leviton Manufacturing Co., Inc.

59-25 Little Neck Parkway, Little Neck, NY 11362-2591

Telephone: 1-800-323-8920 · FAX: 1-800-832-9538 · Tech Line (8:30AM-7:30PM E.S.T. Monday-Friday): 1-800-824-3005

#### Leviton Manufacturing of Canada, Ltd.

165 Hymus Boulevard, Pointe Claire, Quebec H9R 1E9 · Telephone: 1-800-469-7890 · FAX: 1-800-824-3005

#### Leviton S. de R.L. de C.V.

Lago Tana 43, Mexico DF, Mexico CP 11290 · Tel.: (+52)55-5082-1040 · FAX: (+52)5386-1797 · [www.leviton.com.mx](http://www.leviton.com.mx)



Visit our Website at: [www.leviton.com](http://www.leviton.com)

©2007 Leviton Manufacturing Co., Inc. All rights reserved. Subject to change without notice.