



1865

Description

3 Amp, 125 Volt, Single-Pole, Doorjamb w/Jamb Box Switch, Single Circuit Momentary, NORMALLY ON, Commercial Grade, - Brass

Product Features

Operator Type: Doorjamb w/Jamb Box

Circuit: Single Circuit Momentary

Sequence: NORMALLY ON

Duty: Standard

Amperage: 3 Amp

Voltage: 125 Volt

Type: Single-Pole

Termination: 6-Inch 18-AWG TEW Leads

Actuator Material: Steel

Body Material: Steel

Bushing Length: 15/32-32 x 18/32 Inch Long

Feature: Includes Mounting Screws and Cover Plate

Color: Brass

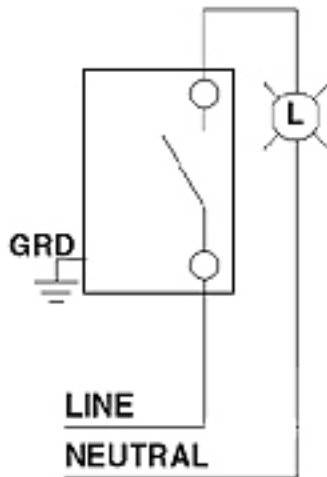
Standards and Certifications: UL/CSA

Warranty: 1 Year Limited

Features and Benefits

- Metal Pushbutton
- Metal Jamb Box
- ONLY Doorjamb Switch that meets UL Requirements
- UL Listed (File #E-7443)
- CSA Certified (File #LR-3413)
- Environmental: Flammability UL-94, V2 Rating
- Operating Temperature: -40 C to 120 C

Wiring Diagram Single Pole



SPECIFICATION SUBMITTAL

JOB NAME: <input type="text"/>	CATALOG NUMBERS: <input type="text"/>	<input type="text"/>
JOB NUMBER: <input type="text"/>	<input type="text"/>	<input type="text"/>

Leviton Manufacturing Co., Inc.

59-25 Little Neck Parkway, Little Neck, NY 11362-2591

Telephone: 1-800-323-8920 · FAX: 1-800-832-9538 · Tech Line (8:30AM-7:30PM E.S.T. Monday-Friday): 1-800-824-3005

Leviton Manufacturing of Canada, Ltd.

165 Hymus Boulevard, Pointe Claire, Quebec H9R 1E9 · Telephone: 1-800-469-7890 · FAX: 1-800-824-3005

Leviton S. de R.L. de C.V.

Lago Tana 43, Mexico DF, Mexico CP 11290 · Tel.: (+52)55-5082-1040 · FAX: (+52)5386-1797 · www.leviton.com.mx



Visit our Website at: www.leviton.com

©2007 Leviton Manufacturing Co., Inc. All rights reserved. Subject to change without notice.