



Color: Black



NEMA: L22-30R



2820

Description

30 Amp, 277/480 Volt 3PY, NEMA L22-30R, 4P, 5W, Flush Mtg Locking Receptacle, Industrial Grade, Grounding, - Black

Product Features

Grounding: Grounding
 Amperage: 30 Amp
 Voltage: 277/480 Volt 3PY
 NEMA: L22-30R
 Pole: 4
 Wire: 5

Termination: Back & Side
 Face Material: Nylon
 Base Material: Nylon
 Strap Material: Nickel-Plated Brass
 Color: Black

Standards and Certifications: UL/CSA

Warranty: Lifetime Warranty

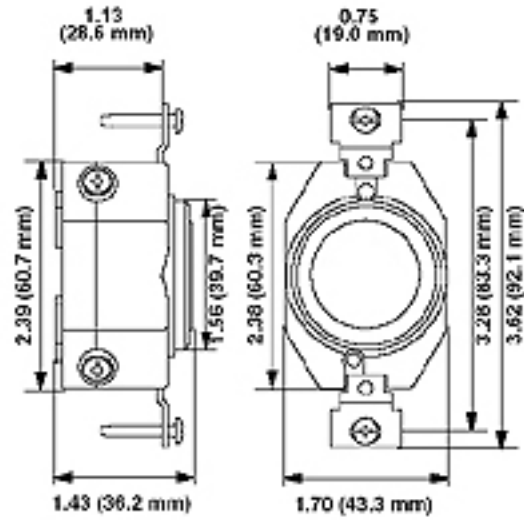
AC Horsepower Ratings	
At Rated Voltage	10 HP
Environmental Specifications	
Flammability	Rated V-2 per UL94
Operating Temperature	-40C to 60C
Mechanical Specifications	
Terminal ID	Brass-Hot, Green-Ground, White-Neutral
Terminal Accom.	14-8 AWG
Product ID	Ratings and NEMA I.D. permanently marked on device

Electrical Specifications	
Dielectric Voltage	Withstands 2000V per UL498
Current Limiting	Full Rated Current
Temperature Rise	Max 30C after 250 cycles OL at 200 percent rated current

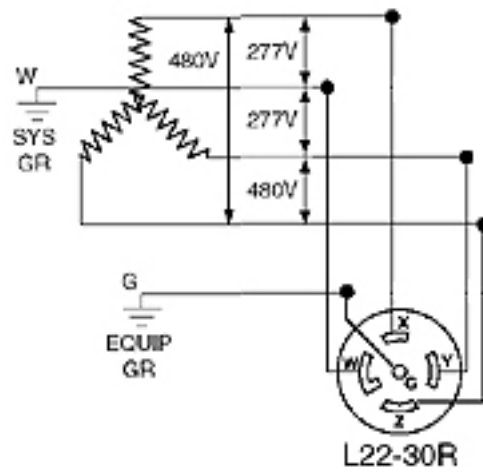
Material Specifications	
Face Material	Nylon
Base Material	Nylon
Line Contacts	Brass .040 Thick
Terminal Screws	Brass 10-32
Grounding Screw	Brass 8-32
Yoke	Nickel-Plated Brass .050 Thick

Standards and Certifications	
NEMA	WD-6
ANSI	C-73
UL498	File E13399
UL Fed Spec WC-596	File E13399
CSA C22.2 No. 42	File LR-406
NOM	057

Dimensional Diagram



Wiring Diagram



SPECIFICATION SUBMITTAL

JOB NAME: <input style="width: 95%; height: 20px;" type="text"/>	CATALOG NUMBERS: <input style="width: 95%; height: 20px;" type="text"/>
JOB NUMBER: <input style="width: 95%; height: 20px;" type="text"/>	<input style="width: 95%; height: 20px;" type="text"/>

Leviton Manufacturing Co., Inc.

59-25 Little Neck Parkway, Little Neck, NY 11362-2591

Telephone: 1-800-323-8920 · FAX: 1-800-832-9538 · Tech Line (8:30AM-7:30PM E.S.T. Monday-Friday): 1-800-824-3005

Leviton Manufacturing of Canada, Ltd.

165 Hymus Boulevard, Pointe Claire, Quebec H9R 1E9 · Telephone: 1-800-469-7890 · FAX: 1-800-824-3005

Leviton S. de R.L. de C.V.

Lago Tana 43, Mexico DF, Mexico CP 11290 · Tel.: (+52)55-5082-1040 · FAX: (+52)5386-1797 · www.leviton.com.mx

Visit our Website at: www.leviton.com

©2007 Leviton Manufacturing Co., Inc. All rights reserved. Subject to change without notice.

