



Color: White



390-1W

Description

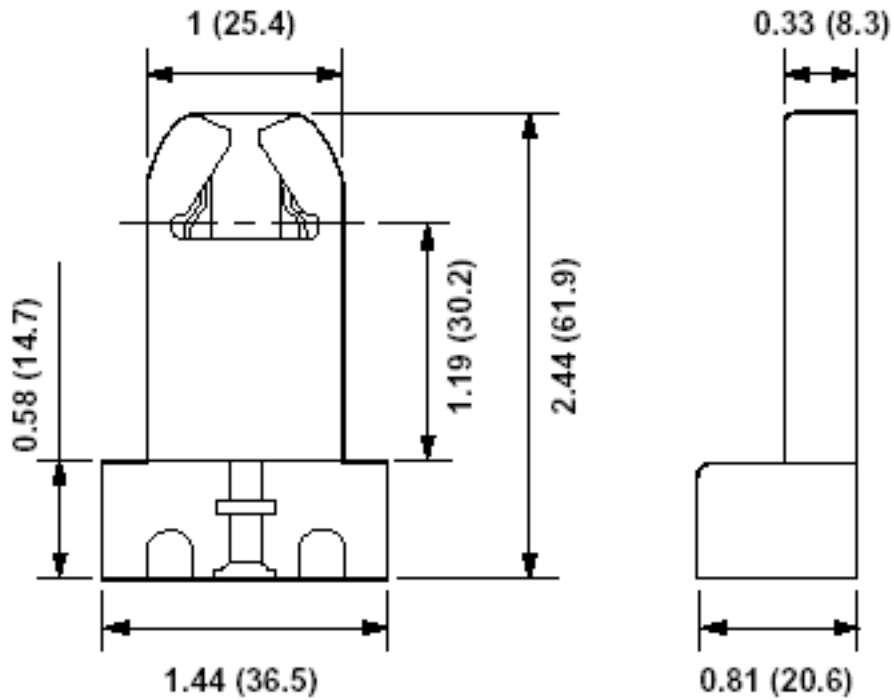
Medium Base, Bi-Pin, Standard Fluorescent Lampholder, Pedestal, Screw Mount, Turn-Type, , 2-Screw Terminal - White

Product Features

- Lamp Base: Medium
- Lamp Contacts: Bi-Pin
- Style Name: Pedestal
- Mounting Type: Screw Mount
- Contact Type: Turn-Type
- Termination: 2-Screw Terminal
- Rated Wattage: 660W
- Color: White
- Standards and Certifications: UL/CSA
- Warranty: 1 Year Limited
- Availability: Distribution

Electrical Specifications	
Voltage	600 Volt
Rated Wattage	660W
Mechanical Specifications	
Mounting Type	Screw Mount
Contact Type	Turn-Type
Termination	2-Screw Terminal

Material Specifications	
Body Material	Thermoplastic
Contact Material	Copper-Alloy
Nut	6-32 Zinc-Plated
Screw	6-32 X 7/8 Zinc-Plated
Color	White
Availability	Distribution
Standards and Certifications	
UL Listed	File E5833
CSA Certified	File LR-5863



SPECIFICATION SUBMITTAL

JOB NAME:		CATALOG NUMBERS:	
<input type="text"/>		<input type="text"/>	
JOB NUMBER:			
<input type="text"/>		<input type="text"/>	

Leviton Manufacturing Co., Inc.

59-25 Little Neck Parkway, Little Neck, NY 11362-2591
 Telephone: 1-800-323-8920 · FAX: 1-800-832-9538 · Tech Line (8:30AM-7:30PM E.S.T. Monday-Friday): 1-800-824-3005

Leviton Manufacturing of Canada, Ltd.

165 Hymus Boulevard, Pointe Claire, Quebec H9R 1E9 · Telephone: 1-800-469-7890 · FAX: 1-800-824-3005

Leviton S. de R.L. de C.V.

Lago Tana 43, Mexico DF, Mexico CP 11290 · Tel.: (+52)55-5082-1040 · FAX: (+52)5386-1797 · www.leviton.com.mx



Visit our Website at: www.leviton.com

©2007 Leviton Manufacturing Co., Inc. All rights reserved. Subject to change without notice.