

MRI82-R



UPC Code: 07847747358

Country of Origin: Please Contact Customer Service

NEMA: 5-15R



Brand Features

Hospital Grade products provide maximum safety in high abuse applications where constant use of the device is common. Built to withstand impact, wear, crushing and corrosive environments that would destroy ordinary heavy-duty devices. All Leviton Hospital Grade Receptacles undergo the most stringent UL testing to assure continuous, safe operation in any application requiring high-abuse tolerance, including health care facilities, manufacturing plants and schools.

Item Description

15 Amp, 125 Volt, NEMA 5-15R, 2P, 3W, Wide Body Duplex MRI Receptacle, Straight Blade, Hospital Grade, Self Grounding, , Back & Side 8 Hole Feed-Thru Wired, Brass Strap, - RED

Technical Information

AC Horsepower Ratings

Horsepower Rating: 1/2 HP

Electrical Specifications

Dielectric Voltage: Withstands 2000V per UL498

Current Limiting: Full Rated Current

Temperature Rise: Max 30C after 250 cycles OL at 200 percent rated current

Environmental Specifications

Flammability: Rated V-2 per UL94

Operating Temperature: -40C to 60C

Material Specifications

Face Material: Nylon

Body Material: Nylon

Line Contacts: Brass Triple Wipe .031 Thick

Terminal Screws: Brass 10-32

Grounding Screw: Brass 8-32

Yoke: Brass

Clamp Nuts: Brass

Ground Clips: Brass

Mechanical Specifications

Terminal ID: Brass-Hot, Green-Ground, White-Neutral

Terminal Accom.: 14-10 AWG

Product ID: Ratings are permanently marked on device

Product Features

Grounding: Self-Grounding

Amperage: 15 Amp

Voltage: 125 Volt

NEMA: 5-15R

Pole: 2

Wire: 3

Termination: Back & Side 8 Hole Feed-Thru

Face Material: Nylon

Body Material: Nylon

Strap Material: Brass

Color: Red

Standards and Certifications: UL/CSA

Warranty: 10 Year Limited

Standards and Certifications

NEMA: WD-6

ANSI: C-73

UL498HG: File E13399

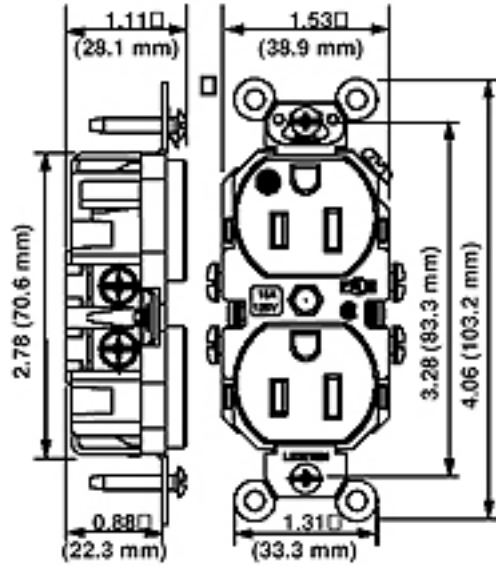
UL Fed Spec WC-596: File E13399

CSA C22.2 No. 42: File 152105

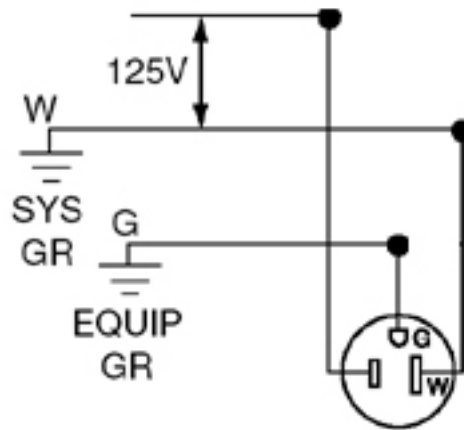
NOM: 057

Warranty: 10-Year Limited

Dimensional Diagram



Wiring Diagram



5-15R

SPECIFICATION SUBMITTAL

JOB NAME:	CATALOG NUMBERS:	
<input type="text"/>	<input type="text"/>	<input type="text"/>
JOB NUMBER:	<input type="text"/>	<input type="text"/>

Leviton Manufacturing Co., Inc.

201 North Service Road, Melville, NY 11747

Telephone: 1-800-323-8920 · FAX: 1-800-832-9538 · Tech Line (8:30AM-7:30PM E.S.T. Monday-Friday): 1-800-824-3005

Leviton Manufacturing of Canada, Ltd.

165 Hymus Boulevard, Pointe Claire, Quebec H9R 1E9 · Telephone: 1-800-469-7890 ·

FAX: 1-800-824-3005 · www.leviton.com/canada

Leviton S. de R.L. de C.V.

Lago Tana 43, Mexico DF, Mexico CP 11290 · Tel.: (+52)55-5082-1040 · FAX: (+52)5386-1797 · www.leviton.com.mx

Visit our Website at: www.leviton.com

© 2012-2014 Leviton Manufacturing Co., Inc. All rights reserved. Subject to change without notice.

Leviton has a global presence.

If you would like to know where your local Leviton office is located please go to: www.leviton.com/international/contacts/

