

MT163-HGI



UPC Code: 07847742164

Country of Origin: Mexico - *Eligible for ARRA funded projects > \$7,443,000

NEMA: 5-20R



Brand Features

The Lev-Lok® Modular Wiring Device System is engineered for fast and easy installation. These devices employ a simple twist and lock wiring module that ensures a safe, reliable connection while at the same time providing for extremely fast and easy installation. Lev-Lok brand wiring devices address the reliability and performance concerns of specification engineers without sacrificing the contractor's need for fast, easy installation. Available in extra heavy duty hospital and industrial grades, and heavy duty commercial grade platforms.

Item Description

20 Amp, 125 Volt, NEMA 5-20R, 2P, 3W, Lev-Lok® Duplex Receptacle, Decora Plus, Tamper-Resistant, Straight Blade, Hospital Grade, Self-Grounding, Modular Terminals, Nickel-Plated Brass Strap - IVORY

Technical Information

AC Horsepower Ratings

Horsepower Rating: 1 HP

Electrical Specifications

Amperage: 20 Amp

Voltage: 125 Volt

Pole: 2

Wire: 3

Grounding: Self-Grounding

Dielectric Voltage: Withstands 2000V per UL498

Maximum Working Voltage: 125V as rated

Current Interrupting: Certified for current interrupting at full rated current

Temperature Rise: Max 30C after 250 cycles OL at 200 percent rated current

Environmental Specifications

Flammability: Rated V-2 per UL94

Operating Temperature: -40C to 60C

Material Specifications

Cover Material: Nylon

Base Material: Nylon

Mounting Strap: Single Piece Nickel-Plated Brass with integral ground contact

Ground Clips: Nickel-Plated Brass

Line Contacts: 0.040" Thick Solid Brass

Locking Pins: Solid Brass

Mounting Screws: Triple Combination Head, Steel

Shutter Mechanism: Delrin® Acetal

Mechanical Specifications

Product ID: Ratings are permanently marked on device

Termination: Modular Terminals

Product Features

Color: Ivory

NEMA: 5-20R

Standards and Certifications

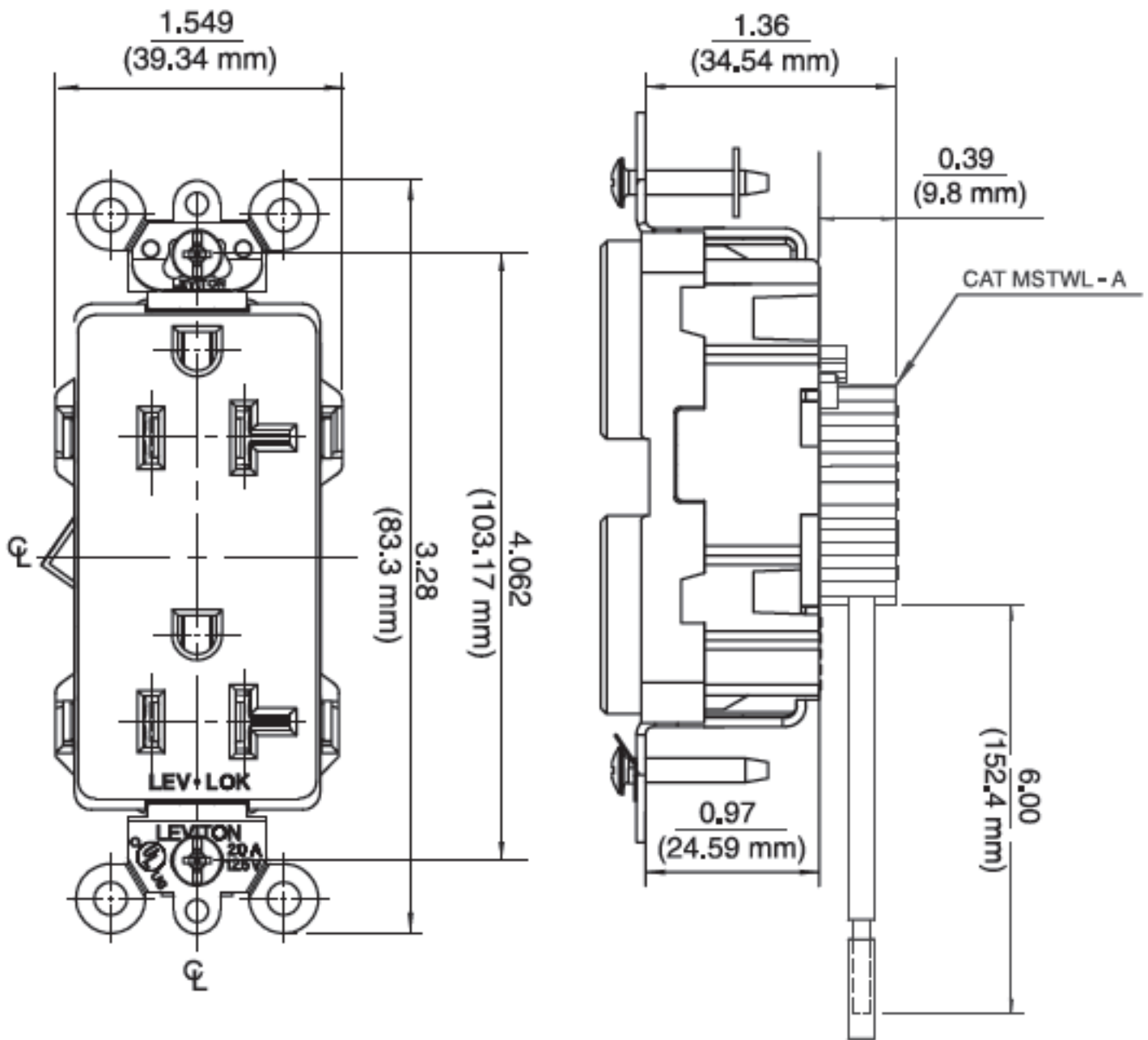
NEMA: WD-1 & WD-6

cULus: Listed

NOM Certified: 057

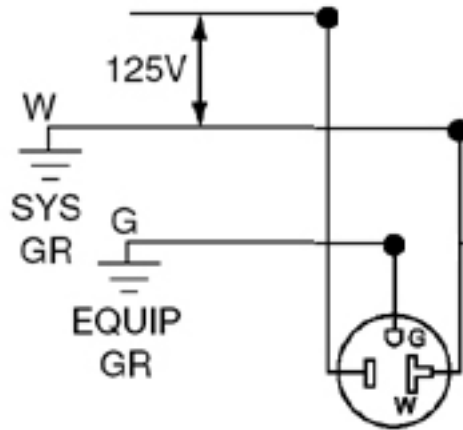
ANSI: C-73

Warranty: 10 Year Limited



Tamper-Resistant

Wiring Diagram



5-20R

SPECIFICATION SUBMITTAL

JOB NAME: <input style="width: 95%; height: 20px;" type="text"/>	CATALOG NUMBERS: <input style="width: 95%; height: 20px;" type="text"/>
JOB NUMBER: <input style="width: 95%; height: 20px;" type="text"/>	<input style="width: 95%; height: 20px;" type="text"/>

Leviton Manufacturing Co., Inc.

201 North Service Road, Melville, NY 11747
 Telephone: 1-800-323-8920 · FAX: 1-800-832-9538 · Tech Line (8:30AM-7:30PM E.S.T. Monday-Friday): 1-800-824-3005

Leviton Manufacturing of Canada, Ltd.

165 Hymus Boulevard, Pointe Claire, Quebec H9R 1E9 · Telephone: 1-800-469-7890 ·
 FAX: 1-800-824-3005 · www.leviton.com/canada

Leviton S. de R.L. de C.V.

Lago Tana 43, Mexico DF, Mexico CP 11290 · Tel.: (+52)55-5082-1040 · FAX: (+52)5386-1797 · www.leviton.com.mx

Visit our Website at: www.leviton.com

© 2012-2014 Leviton Manufacturing Co., Inc. All rights reserved. Subject to change without notice.

Leviton has a global presence.

If you would like to know where your local Leviton office is located please go to: www.leviton.com/international/contacts/



**Buy American Compliant Logo -- The American Recovery And Reinvestment Act of 2009 ("ARRA") provides federal grants and loans for projects throughout the country. Section 1605 of the Act, named the "Buy American" provision, requires that certain materials and manufactured products used in projects funded by the Act be manufactured in the United States. The appearance of the Recovery Act Logo in relation to a Leviton product is only intended to reflect that such product may be used in an ARRA funded project. It does not mean that such product or Leviton is sponsored or endorsed by, or that Leviton receives funds from, the federal government or the Recovery Accountability and Transparency Board. Nothing in Leviton's use of the logo is intended to suggest anything regarding the requirements for funding under ARRA.*