

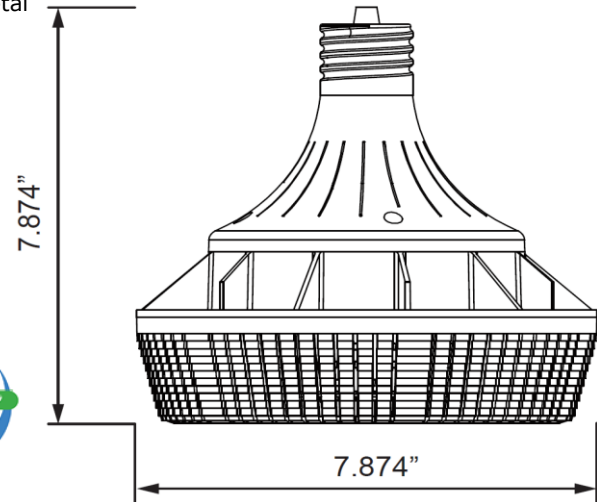


Models

LED-8036MXX-MHBC, 4000K or 5700K CCT, EX39

Features

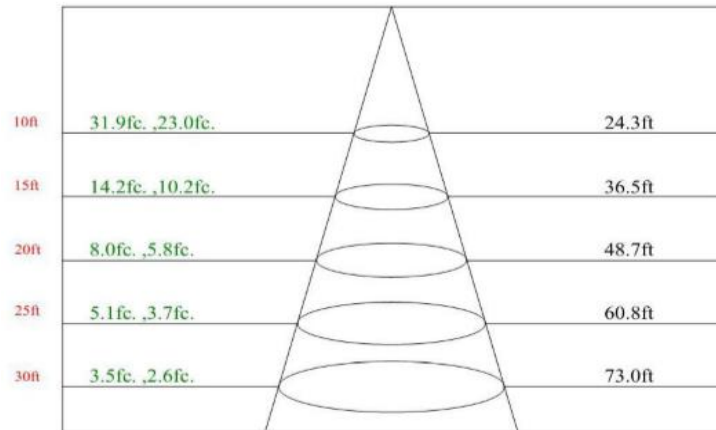
- 100 Watt LED Replaces existing 250w or 320w Metal Halide Lamp
- Operates with pulse start and probe start magnetic 250W & 320W Metal Halide Ballasts only
- Optimized for High Bay HID fixture with PC or Glass Globe
- 120° Beam Angle
- UL Component approved for damp environments (USA & Can)
- Advanced active cooling, Sunon Mag-lev >70,000 hr. fan with temperature control ensures long LED life
- EX39 Mogul Base
- >50,000 rated LED life
- 5 year limited warranty (see website for details)
- Rated for enclosed fixture



Technical Specifications

Models US/CAN	LED-8036M40-MHBC	LED-8036M57-MHBC
CCT	4000K	5700K
Power Consumption	100 watts	
Total Wattage w/320w M132/M154 Ballast	142	
Total Wattage w/250w M138/M153 Ballast	120.6	
Replaces	Replaces 320W & 250W MH	
Mounting	EX39	
Compatible Metal Halide Ballasts	320W or 250W Pulse or Probe Start Ballasts	
LED Type	2835	
Beam Angle	180°	
Dimmable	No	
Operating Temp	-40°F - +122°F	
Rated R70 Life	Up to 50,000 Hrs.	
Warranty	5 Year Limited*	
LM79 Specifications	Yes	Yes
Power (W) w/320W Ballast	142	142
CCT	4122	5496
Light Output	10698	10465
Efficacy	108.6	103.5
THD @ 277V	46.09	45.95
PF @ 277V	0.495	0.5
CRI:	82.7	85.2
R9	8	23
Duv	0.00124	0.00243
Packaging	4 / Master Carton	
Unit	10"x 10"x 9.65" 3.56 lbs.	
Master	20.7"x 10.6" x 15.5" 15.8 lbs.	

Lux Distance Curve



LED Power Consumption (Watts)	HID Power Consumption (Watts)	HID Ballast Power Consumption (Watts)	Total Savings (Watts)	Annual Energy Savings (14 hrs/day)	Lifetime Energy Savings (over 50,000 hrs)
142	320	48	178	\$100	\$979.00

Mounting Orientation			Minimum Fixture Size Requirements (inches)	
Base Up	Base Down	Horiz	Length	Width
			9.87	9.87
Approved	Approved	Approved	9.87	9.87
			Cu. Inches	961.5

