

MIDGET-STYLE FUSEBLOCKS



Description

The new Littelfuse Class CC and CD blocks offer generous space savings and enhanced value. Indication, DIN Rail mounting and universal mounting holes are all available.

Features/Benefits

- DIN Rail mountable optional
- Rejection feature that prevents the insertion of fuses with lower interrupting rating or voltage ratings
- Clip design reduces resistance and heat
- Non DIN Rail fuseblocks have interlocking feature allowing ganging to produce a fuseblock with any number of poles

Ordering Information

Midget 30 A Fuseblocks

AMP RATING	POLES	CATALOG/SYSTEM #		CONNECTOR TYPE (ADD SUFFIX SHOWN)	MAX. WIRE SIZE
		NON-DIN*	DINR		
30	1	L60030M1C	L60030M1CDINR	Box Lug	#6 CU
	2	L60030M2C	L60030M2CDINR		
	3	L60030M3C	L60030M3CDINR		
30	1	L60030M1PQ	L60030M1PQDINR	Pressure Plate/ Q. C. Terminal	#10 CU
	2	L60030M2PQ	L60030M2PQDINR		
	3	L60030M3PQ	L60030M3PQDINR		
30	1	L60030M1SQ	L60030M1SQDINR	Screw/ Q. C. Terminal	#10 CU
	2	L60030M2SQ	L60030M2SQDINR		
	3	L60030M3SQ	L60030M3SQDINR		

* Gangable

Note: Quick Connect Terminals are rated at 20 A.

Specifications

Voltage Rating:	600 VAC/600 VDC
Ampere Ratings:	30 A
Dielectric strength:	1200 V minimum
Clip/terminals:	Tin-plated copper alloy
Box lug:	Copper
Screw and captive pressure plate:	Zinc-plated steel
Base:	Thermoplastic UL94 V-0 flammability rating
Approvals:	UL Recognized (File No. E14721) CSA Certified (File No. LR7316)
Environmental:	RoHS Compliant Lead (Pb) Free

Recommended Fuses

BLF, BLN, BLS, FLA, FL, FLO, FLU, KLK, KLKD, KLO

Web Resources

Sample requests, downloadable CAD drawings and other technical information:

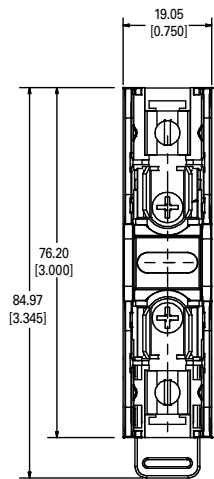
<http://www.littelfuse.com/fuseblocks>

MIDGET-STYLE FUSEBLOCKS

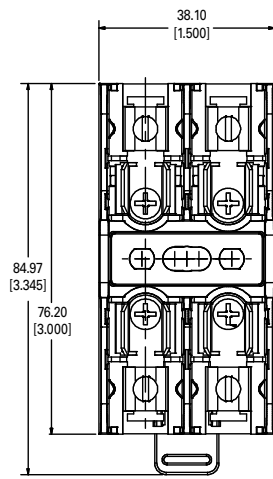
Dimensions in mm (inches)

DIN Rail Mountable

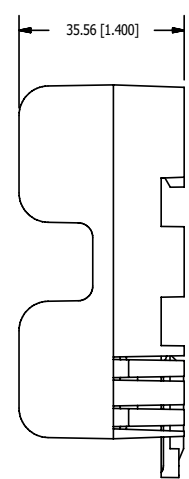
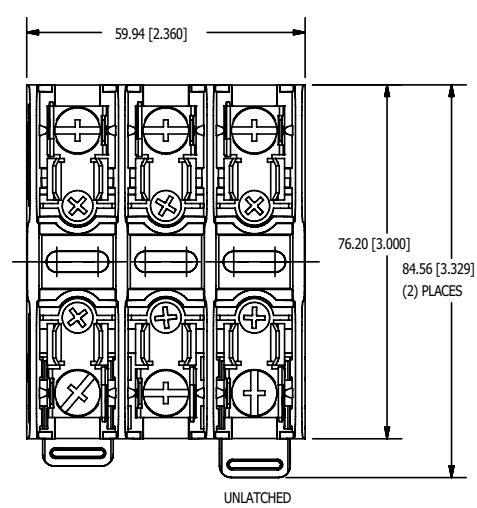
30 A
1-pole



30 A
2-pole



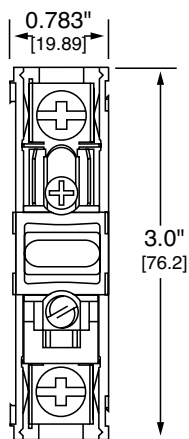
30 A
3-pole



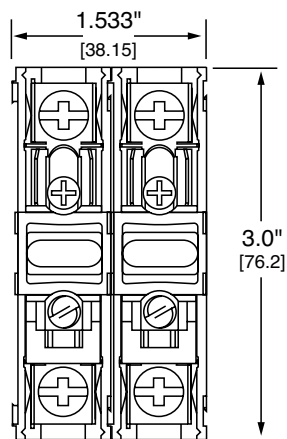
Dimensions in inches (mm)

Non-DIN Rail Mountable

30 A
1-pole



30 A
2-pole



30 A
3-pole

