

POWR-BLOKS™

Distribution Blocks • Splicer Blocks • Covers



Description

POWR-BLOKS™ power distribution blocks offer a safe, convenient way of splicing cables, providing a fixed junction tap-off point or splitting primary power into secondary circuits. Lx2xxx-DIN series offers integral DIN-Rail mount and an optional hinged safety cover.

Optional power distribution block covers provide protection against accidental shorting between poles caused by loose wires, tools, or other conductive material. They also protect personnel from accidentally contacting energized connectors. To order protective covers, match the number of poles for the block to the cover.

Applications

Typical applications include heating, air conditioning and refrigeration systems, elevator systems, material handling equipment, control panels, motor controls, switchgear, and anywhere power needs to be distributed to more than one load.

Connectors

Box lug connectors are designed for use with a single, solid or class B or C stranded conductor. Use of more than one conductor per connector opening or use of extra-flexible, fine-stranded conductors, such as welding cable, voids the UL Listing and may cause overheating. Manufacturers of cable terminations can furnish crimp-on sleeves for fine stranded conductors which permit these conductors to be used with box lugs.

Ampere Ratings

The ampere rating per pole for power distribution blocks is based on the line ampacity of 75°C insulated conductors per NEC® Table 310.16. If 60°C insulated conductors are used, load must not exceed the ampacity of 60°C conductors. Use of conductors rated in excess of 75°C is permitted (for example 90°C), however, load must not exceed the ampacity of 75°C conductors.

Specifications

Voltage Rating	600 V
Current Rating	Based on NEC Table 310.16, using 75°C copper wire
Material	Phenolic rated at 150°C and Thermoplastic rated at 125°C (LD1400 and LS1300 series only)
Connector	Standard: Highly conductive aluminum, tin plated Copper: Highly conductive copper, tin plated
Flammability Rating	UL94 V-0
Approvals	UL Recognized - LD/LS Series (File: E171395) LFD/LFS Series (File: E309688) CSA Certified - LD/LS Series (File: LR700111) LFD/LFS Series (File: 007316_0_000)
Environmental	RoHS compliant, Lead (Pb) free

Ordering Information

See Selection Guide on next page

Web Resources

For dimension, CAD and 3-D drawings, visit:
Littelfuse.com/powrbloks

POWR-BLOKS™

Distribution Block Selection Guide

AMP PER POLE	POLES	CONNECTOR MATERIAL	LINE CONNECTION					LOAD CONNECTION					DRAWING	CATALOG/ ORDERING NUMBER	*PLASTIC COVER ORDERING NUMBER	
			CONNECTOR IMAGE	OPENINGS PER POLE	LUG TYPE	WIRE RANGE	TORQUE RANGE	CONNECTOR IMAGE	OPENINGS PER POLE	LUG TYPE	WIRE RANGE	TORQUE RANGE				
115	1	AL		1	Slotted	#2 - #14	35-50 in-lbs		4	Slotted	#10 - #18	7 in-lbs	2	OLD14001Z	-	
115	2			1	Slotted	#2 - #14	35-50 in-lbs		4	Slotted	#10 - #18	7 in-lbs	2	OLD14002Z	-	
115	3			1	5/32" Hex	#2 - #14	50-40 in-lbs		4	5/64" Hex	#10 - #18	7 in-lbs	2	LFD14003Z	-	
115	4			1	Slotted	#2 - #14	35-50 in-lbs		4	Slotted	#10 - #18	5-7 in-lbs	2	OLD14004Z	-	
175	2	AL		1	5/16" Hex	2/0 - #14	35-120 in-lbs		6	Slotted	#4 - #14	35 in-lbs	1	OLD04012Z	LPBC02	
175	3			1	3/16" Hex	2/0 - #14	40-120 in-lbs		6	1/8" Hex	#4 - #14	35 in-lbs	1	LFD04013Z	LPBC03	
175	2	AL		1	5/16" Hex	2/0 - #14	35-120 in-lbs		4	Slotted	#4 - #14	35 in-lbs	1	OLD04022Z	LPBC02	
175	3			1	5/16" Hex	2/0 - #14	35-120 in-lbs		4	Slotted	#4 - #14	35 in-lbs	1	OLD04023Z	LPBC03	
310	2	AL		1	5/16" Hex	350mcm - #6	275 in-lbs		6	Slotted	#4 - #14	35 in-lbs	1	OLD04042Z	LPBC02	
310	3			1	5/16" Hex	350mcm - #6	275 in-lbs		6	Slotted	#4 - #14	35 in-lbs	1	OLD04043Z	LPBC03	
175	1	AL		1	5/16" Hex	2/0 - #14	35-120 in-lbs		4	1/8" Hex	#4 - #14	35 in-lbs	3	OLD25701Z	LPBC21	
175	2			1	3/16" Hex	2/0 - #14	40-120 in-lbs		4	1/8" Hex	#4 - #14	35 in-lbs	3	LFD25702Z	LPBC22	
175	3			1	3/16" Hex	2/0 - #14	40-120 in-lbs		4	1/8" Hex	#4 - #14	35 in-lbs	3	LFD25703Z	LPBC23	
175	1			1	3/16" Hex	2/0 - #14	35-120 in-lbs		4	Slotted	#4 - #14	35 in-lbs	3	OLD29701Z	LPBC21	
175	2	CU		1	3/16" Hex	2/0 - #14	35-120 in-lbs		4	Slotted	#4 - #14	35 in-lbs	3	OLD29702Z	LPBC22	
175	3			1	3/16" Hex	2/0 - #14	35-120 in-lbs		4	Slotted	#4 - #14	35 in-lbs	3	OLD29703Z	LPBC23	
335	1	AL		1	5/16" Hex	400mcm - #6	275 in-lbs		4	Slotted	#2 - #14	35-50 in-lbs	5	OLD35521Z	LPBC31	
335	2			1	5/16" Hex	400mcm - #6	275 in-lbs		4	Slotted	#2 - #14	35-50 in-lbs	5	OLD35522Z	LPBC32	
380	3			1	3/8" Hex	500mcm - #6	375 in-lbs		4	5/32" Hex	#2 - #14	35-50 in-lbs	5	LFD35523Z	LPBC33	
335	1			1	5/16" Hex	400mcm - #6	275 in-lbs			6	Slotted	#2 - #14	35-50 in-lbs	5	OLD35531Z	LPBC31
335	2	1	5/16" Hex	400mcm - #6	275 in-lbs	6	Slotted	#2 - #14		35-50 in-lbs	5	OLD35532Z	LPBC32			
380	3	AL		1	3/8" Hex	500mcm - #6	375 in-lbs		6	5/32" Hex	#2 - #14	40-50 in-lbs	5	LFD35533Z	LPBC33	
350	1			2	5/16" Hex	2/0 - #14	35-120 in-lbs		6	Slotted	#4 - #14	35 in-lbs	5	OLD35551Z	LPBC31	
350	2	AL		2	5/16" Hex	2/0 - #14	35-120 in-lbs		6	Slotted	#4 - #14	35 in-lbs	5	OLD35552Z	LPBC32	
350	3			2	3/16" Hex	2/0 - #14	40-120 in-lbs		6	1/8" Hex	#4 - #14	35 in-lbs	5	LFD35553Z	LPBC33	
380	1	CU		1	Slotted	500mcm - #4	375 in-lbs		6	5/32" Hex	#2 - #14	35-50 in-lbs	5	OLD39531Z	LPBC31	
380	2			1	Slotted	500mcm - #4	375 in-lbs		6	5/32" Hex	#2 - #14	35-50 in-lbs	5	OLD39532Z	LPBC32	
380	3			1	Slotted	500mcm - #4	375 in-lbs		6	5/32" Hex	#2 - #14	35-50 in-lbs	5	OLD39533Z	LPBC33	
350	1			CU		2	Slotted		2/0 - #14	35-120 in-lbs		6	1/8" Hex	#4 - #14	35 in-lbs	5
350	2	2	Slotted			2/0 - #14	35-120 in-lbs	6	1/8" Hex	#4 - #14		35 in-lbs	5	OLD39552Z	LPBC32	
350	3	AL		2	Slotted	2/0 - #14	35-120 in-lbs		6	1/8" Hex	#4 - #14	35 in-lbs	5	OLD39553Z	LPBC33	
380	1			1	Slotted	500mcm - #4	375 in-lbs			6	Slotted	#2 - #14	35-50 in-lbs	6	OLD45511Z	LPBC41
380	2	1	Slotted	500mcm - #4	375 in-lbs	6	Slotted	#2 - #14		35-50 in-lbs	6	OLD45512Z	LPBC42			
380	3	1	Slotted	500mcm - #4	375 in-lbs	6	Slotted	#2 - #14		35-50 in-lbs	6	OLD45513Z	LPBC43			
335	1	AL		1	Slotted	400mcm - #6	275 in-lbs			8	Slotted	#2 - #14	35-50 in-lbs	6	OLD45601Z	LPBC41
335	2			1	Slotted	400mcm - #6	275 in-lbs		8	Slotted	#2 - #14	35-50 in-lbs	6	OLD45602Z	LPBC42	
335	3	AL		1	Slotted	400mcm - #6	275 in-lbs		8	Slotted	#2 - #14	35-50 in-lbs	6	OLD45603Z	LPBC43	
380	1			1	Slotted	500mcm - #4	375 in-lbs			12	Slotted	#2 - #14	35-50 in-lbs	7	OLD55521Z	LPBC51
380	2			1	Slotted	500mcm - #4	375 in-lbs			12	Slotted	#2 - #14	35-50 in-lbs	7	OLD55522Z	LPBC52
380	3			1	3/8" Hex	500mcm - #4	375 in-lbs		12	5/32" Hex	#2 - #14	40-50 in-lbs	7	LFD55523Z	LPBC53	
380	1	AL		1	3/8" Hex	500mcm - #4	375 in-lbs		6	5/16" Hex	2/0 - #14	35-120 in-lbs	7	OLD55791Z	LPBC51	
380	2			1	3/8" Hex	500mcm - #4	375 in-lbs		6	5/16" Hex	2/0 - #14	35-120 in-lbs	7	OLD55792Z	LPBC52	
380	3			1	3/8" Hex	500mcm - #4	375 in-lbs		6	3/16" Hex	2/0 - #14	40-120 in-lbs	7	LFD55793Z	LPBC53	
760	1			AL		2	3/8" Hex		500mcm - #6	375 in-lbs		8	5/16" Hex	2/0 - #14	35-120 in-lbs	7
760	2	2	3/8" Hex			500mcm - #6	375 in-lbs	8	5/16" Hex	2/0 - #14		35-120 in-lbs	7	OLD55862Z	LPBC52	
760	3	2	3/8" Hex			500mcm - #4	375 in-lbs	8	3/16" Hex	2/0 - #14		40-120 in-lbs	7	LFD55863Z	LPBC53	
665	1	AL		1	3/8" Hex	500mcm - #4	375 in-lbs		4	Slotted	2/0 - #14	35-120 in-lbs	7	OLD55871Z	LPBC51	
				1		350mcm - #4	275 in-lbs									
665	2			1	3/8" Hex	500mcm - #4	375 in-lbs		4	Slotted	2/0 - #14	35-120 in-lbs	7	OLD55872Z	LPBC52	
				1		350mcm - #4	275 in-lbs									
665	3	1	3/8" Hex	500mcm - #4	375 in-lbs	4	Slotted	2/0 - #14	35-120 in-lbs	7	OLD55873Z	LPBC53				

Note: AL = Aluminum / CU = Copper
Note: *Covers sold separately

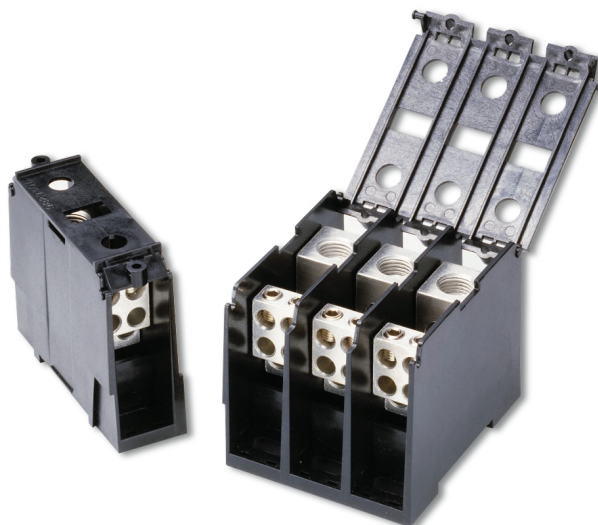
POWR-BLOKS™

Distribution Block Selection Guide

AMP PER POLE	POLES	CONNECTOR MATERIAL	LINE CONNECTION					LOAD CONNECTION					DRAWING	CATALOG/ ORDERING NUMBER	*PLASTIC COVER ORDERING NUMBER
			CONNECTOR IMAGE	OPENINGS PER POLE	LUG TYPE	WIRE RANGE	TORQUE RANGE	CONNECTOR IMAGE	OPENINGS PER POLE	LUG TYPE	WIRE RANGE	TORQUE RANGE			
760	1	AL		2	3/8" Hex	500mcm-#6	375 in-lbs		12	Slotted	#4 - #14	35 in-lbs	7	OLD55921Z	LPBC51
760	2			2	3/8" Hex	500mcm-#6	375 in-lbs		12	Slotted	#4 - #14	35 in-lbs	7	OLD55922Z	LPBC52
760	3			2	3/8" Hex	500mcm-#4	375 in-lbs		12	1/8" Hex	#4 - #14	35 in-lbs	7	LFD55923Z	LPBC53
380	1	AL		1	3/8" Hex	500mcm-#4	375 in-lbs		8	5/32" Hex	#2 - #14	35-50 in-lbs	7	OLD55941Z	LPBC51
380	2			1	3/8" Hex	500mcm-#4	375 in-lbs		8	5/32" Hex	#2 - #14	35-50 in-lbs	7	OLD55942Z	LPBC52
380	3			1	3/8" Hex	500mcm-#4	375 in-lbs		8	5/32" Hex	#2 - #14	35-50 in-lbs	7	OLD55943Z	LPBC53
760	1	CU		2	3/8" Hex	500mcm-#4	375 in-lbs		8	3/16" Hex	2/0 - #14	35-120 in-lbs	7	OLD59861Z	LPBC51
760	2			2	3/8" Hex	500mcm-#4	375 in-lbs		8	3/16" Hex	2/0 - #14	35-120 in-lbs	7	OLD59862Z	LPBC52
760	3			2	3/8" Hex	500mcm-#4	375 in-lbs		8	3/16" Hex	2/0 - #14	35-120 in-lbs	7	OLD59863Z	LPBC53
760	1	CU		2	3/8" Hex	500mcm-#6	375 in-lbs		12	Slotted	#2 - #14	35-50 in-lbs	7	OLD59921Z	LPBC51
760	2			2	3/8" Hex	500mcm-#6	375 in-lbs		12	Slotted	#2 - #14	35-50 in-lbs	7	OLD59922Z	LPBC52
760	3			2	3/8" Hex	500mcm-#6	375 in-lbs		12	Slotted	#2 - #14	35-50 in-lbs	7	OLD59923Z	LPBC53
175	1	AL		1	3/16" Hex	2/0 - #14	35-120 in-lbs		4	1/8" Hex	#4 - #14	35 in-lbs	4	OLD25701ZXDIN	OLCH1321Z
175	2			1	3/16" Hex	2/0 - #14	35-120 in-lbs		4	1/8" Hex	#4 - #14	35 in-lbs	4	OLD25702ZXDIN	OLCH1322Z
175	3			1	3/16" Hex	2/0 - #14	35-120 in-lbs		4	1/8" Hex	#4 - #14	35 in-lbs	4	OLD25703ZXDIN	OLCH1323Z
175	Adder			1	-	2/0 - #14	35-120 in-lbs	4	-	#4 - #14	35 in-lbs	4	OLD2570AZXDIN	-	
175	1	AL		1	-	2/0 - #14	35-120 in-lbs		6	-	#4 - #14	35 in-lbs	4	OLD25801ZXDIN	OLCH1321Z
175	2			1	5/16" Hex	2/0 - #14	35-120 in-lbs		6	Slotted	#4 - #14	35 in-lbs	4	OLD25802ZXDIN	OLCH1322Z
175	3			1	5/16" Hex	2/0 - #14	35-120 in-lbs		6	Slotted	#4 - #14	35 in-lbs	4	OLD25803ZXDIN	OLCH1323Z
175	Adder			1	-	2/0 - #14	35-120 in-lbs	6	-	#4 - #14	35 in-lbs	4	OLD2580AZXDIN	-	
175	1	CU		1	3/16" Hex	2/0 - #14	35-120 in-lbs		4	Slotted	#4 - #14	35 in-lbs	4	OLD29701ZXDIN	OLCH1321Z
175	2			1	3/16" Hex	2/0 - #14	35-120 in-lbs		4	Slotted	#4 - #14	35 in-lbs	4	OLD29702ZXDIN	OLCH1322Z
175	3			1	3/16" Hex	2/0 - #14	35-120 in-lbs		4	Slotted	#4 - #14	35 in-lbs	4	OLD29703ZXDIN	OLCH1323Z
175	Adder			1	-	2/0 - #14	35-120 in-lbs	4	-	#4 - #14	35 in-lbs	4	OLD2970AZXDIN	-	

Note: AL = Aluminum / CU = Copper
Note: *Covers sold separately

Hinged Plastic Covers



Clear Plastic Covers



POWR-BLOKS™

Splicer Block Selection Guide

AMP PER POLE	POLES	CONNECTOR MATERIAL	LINE CONNECTION					LOAD CONNECTION					DRAWING	CATALOG/ ORDERING NUMBER	*PLASTIC COVER ORDERING NUMBER
			CONNECTOR IMAGE	OPENINGS PER POLE	LUG TYPE	WIRE RANGE	TORQUE RANGE	CONNECTOR IMAGE	OPENINGS PER POLE	LUG TYPE	WIRE RANGE	TORQUE RANGE			
310	2	AL		1	5/16" Hex	350mcm-#6	275 in-lbs		1	5/16" Hex	350mcm-#6	275 in-lbs	1	OLS03032Z	LPBC02
310	3			1	5/16" Hex	350mcm-#6	275 in-lbs		1	5/16" Hex	350mcm-#6	275 in-lbs	1	OLS03033Z	LPBC03
115	1	AL		1	Slotted	#2 - #14	35-50 in-lbs		1	Slotted	#2 - #14	35-50 in-lbs	2	OLS13001Z	-
115	2			1	Slotted	#2 - #14	35-50 in-lbs		1	Slotted	#2 - #14	35-50 in-lbs	2	OLS13002Z	-
115	3			1	5/32" Hex	#2 - #14	40-50 in-lbs		1	5/32" Hex	#2 - #14	40-50 in-lbs	2	LFS13003Z	-
115	4			1	Slotted	#2 - #14	35-50 in-lbs		1	Slotted	#2 - #14	35-50 in-lbs	2	OLS13004Z	-
150	1	CU		1	3/16" Hex	1/0 - #14	35-120 in-lbs		1	3/16" Hex	1/0 - #18	35-120 in-lbs	3	OLS21211Z	LPBC21
150	2			1	3/16" Hex	1/0 - #14	35-120 in-lbs		1	3/16" Hex	1/0 - #18	35-120 in-lbs	3	OLS21212Z	LPBC22
150	3			1	3/16" Hex	1/0 - #14	35-120 in-lbs		1	3/16" Hex	1/0 - #18	35-120 in-lbs	3	OLS21213Z	LPBC23
115	1	AL		1	Slotted	#2 - #14	35-50 in-lbs		1	Slotted	#2 - #14	35-50 in-lbs	3	OLS25521Z	LPBC21
115	2			1	Slotted	#2 - #14	35-50 in-lbs		1	Slotted	#2 - #14	35-50 in-lbs	3	OLS25522Z	LPBC22
115	3			1	Slotted	#2 - #14	35-50 in-lbs		1	Slotted	#2 - #14	35-50 in-lbs	3	OLS25523Z	LPBC23
175	1	AL		1	5/16" Hex	2/0 - #14	35-120 in-lbs		1	5/16" Hex	2/0 - #14	35-120 in-lbs	3	OLS25721Z	LPBC21
175	2			1	5/16" Hex	2/0 - #14	35-120 in-lbs		1	5/16" Hex	2/0 - #14	35-120 in-lbs	3	OLS25722Z	LPBC22
175	3			1	3/16" Hex	2/0 - #14	40-120 in-lbs		1	3/16" Hex	2/0 - #14	40-120 in-lbs	3	LFS25723Z	LPBC23
255	1	AL		1	5/16" Hex	250mcm-#6	275 in-lbs		1	5/16" Hex	250mcm-#6	275 in-lbs	5	OLS31231Z	LPBC31
255	2			1	5/16" Hex	250mcm-#6	275 in-lbs		1	5/16" Hex	250mcm-#6	275 in-lbs	5	OLS31232Z	LPBC32
255	3			1	5/16" Hex	250mcm-#6	275 in-lbs		1	5/16" Hex	250mcm-#6	275 in-lbs	5	OLS31233Z	LPBC33
255	1	CU		1	3/8" Hex	250mcm-#6	375 in-lbs		1	3/8" Hex	250mcm-#6	375 in-lbs	5	OLS31241Z	LPBC31
255	2			1	3/8" Hex	250mcm-#6	375 in-lbs		1	3/8" Hex	250mcm-#6	375 in-lbs	5	OLS31242Z	LPBC32
255	3			1	3/8" Hex	250mcm-#6	375 in-lbs		1	3/8" Hex	250mcm-#6	375 in-lbs	5	OLS31243Z	LPBC33
310	1	AL		1	5/16" Hex	350mcm-#6	275 in-lbs		1	5/16" Hex	350mcm-#6	275 in-lbs	5	OLS31261Z	LPBC31
310	2			1	5/16" Hex	350mcm-#6	275 in-lbs		1	5/16" Hex	350mcm-#6	275 in-lbs	5	OLS31262Z	LPBC32
310	3			1	5/16" Hex	350mcm-#6	275 in-lbs		1	5/16" Hex	350mcm-#6	275 in-lbs	5	OLS31263Z	LPBC33
420	1	AL		1	1/2" Hex	600mcm-#4	500 in-lbs		1	1/2" Hex	600mcm-#4	500 in-lbs	6	OLS45571Z	LPBC41
420	2			1	1/2" Hex	600mcm-#4	500 in-lbs		1	1/2" Hex	600mcm-#4	500 in-lbs	6	OLS45572Z	LPBC42
420	3			1	1/2" Hex	600mcm-#4	500 in-lbs		1	1/2" Hex	600mcm-#4	500 in-lbs	6	OLS45573Z	LPBC43
620	1	AL		2	5/16" Hex	350mcm-#4	275 in-lbs		2	5/16" Hex	350mcm-#4	275 in-lbs	7	OLS51291Z	LPBC51
620	2			2	5/16" Hex	350mcm-#4	275 in-lbs		2	5/16" Hex	350mcm-#4	275 in-lbs	7	OLS51292Z	LPBC52
620	3			2	5/16" Hex	350mcm-#4	275 in-lbs		2	5/16" Hex	350mcm-#4	275 in-lbs	7	OLS51293Z	LPBC53
760	1	AL		2	3/8" Hex	500mcm-#4	375 in-lbs		2	3/8" Hex	500mcm-#4	375 in-lbs	7	OLS53011Z	LPBC51
760	2			2	3/8" Hex	500mcm-#4	375 in-lbs		2	3/8" Hex	500mcm-#4	375 in-lbs	7	OLS53012Z	LPBC52
760	3			2	3/8" Hex	500mcm-#4	375 in-lbs		2	3/8" Hex	500mcm-#4	375 in-lbs	7	OLS53013Z	LPBC53
175	1	AL		1	5/16" Hex	2/0 - #14	35-120 in-lbs		1	5/16" Hex	2/0 - #14	35-120 in-lbs	4	OLS25721ZXDIN	OLCH1321Z
175	2			1	5/16" Hex	2/0 - #14	35-120 in-lbs		1	5/16" Hex	2/0 - #14	35-120 in-lbs	4	OLS25722ZXDIN	OLCH1322Z
175	3			1	5/16" Hex	2/0 - #14	35-120 in-lbs		1	5/16" Hex	2/0 - #14	35-120 in-lbs	4	OLS25723ZXDIN	OLCH1323Z
175	Adder			1	-	2/0 - #14	35-120 in-lbs		1	-	2/0 - #14	35-120 in-lbs	4	OLS2572AZXDIN	-
175	1	CU		1	5/16" Hex	2/0 - #14	35-120 in-lbs		1	5/16" Hex	2/0 - #14	35-120 in-lbs	4	OLS29721ZXDIN	OLCH1321Z
175	2			1	5/16" Hex	2/0 - #14	35-120 in-lbs		1	5/16" Hex	2/0 - #14	35-120 in-lbs	4	OLS29722ZXDIN	OLCH1322Z
175	3			1	5/16" Hex	2/0 - #14	35-120 in-lbs		1	5/16" Hex	2/0 - #14	35-120 in-lbs	4	OLS29723ZXDIN	OLCH1323Z
175	Adder	1	-	2/0 - #14	35-120 in-lbs	1	-	2/0 - #14	35-120 in-lbs	4	OLS2972AZXDIN	-			

Note: AL = Aluminum / CU = Copper
Note: *Covers sold separately

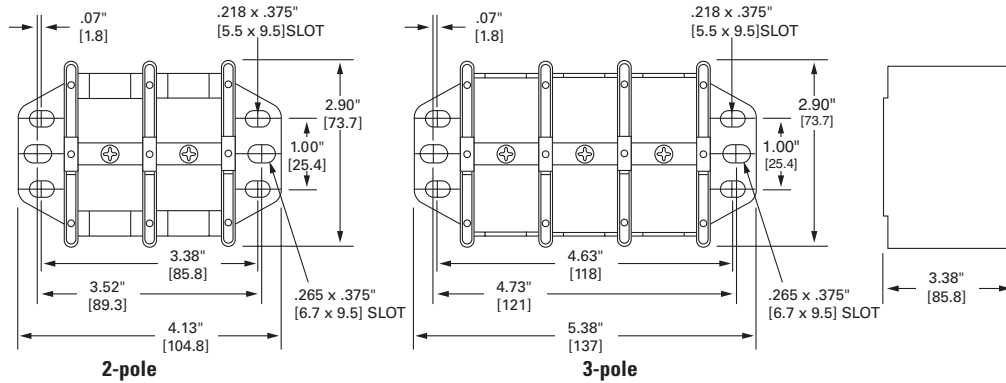
POWR-BLOKS™

Distribution Block and Splicer Block Outline Drawings

Dimensions Inches (mm)

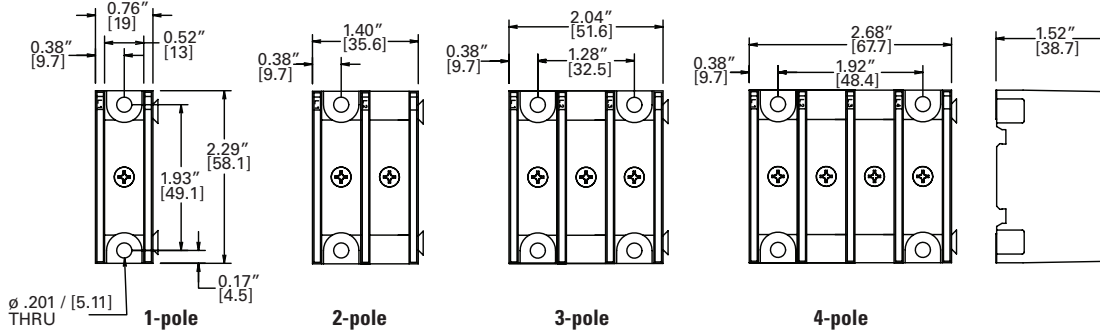
LX0XXX

Figure 1



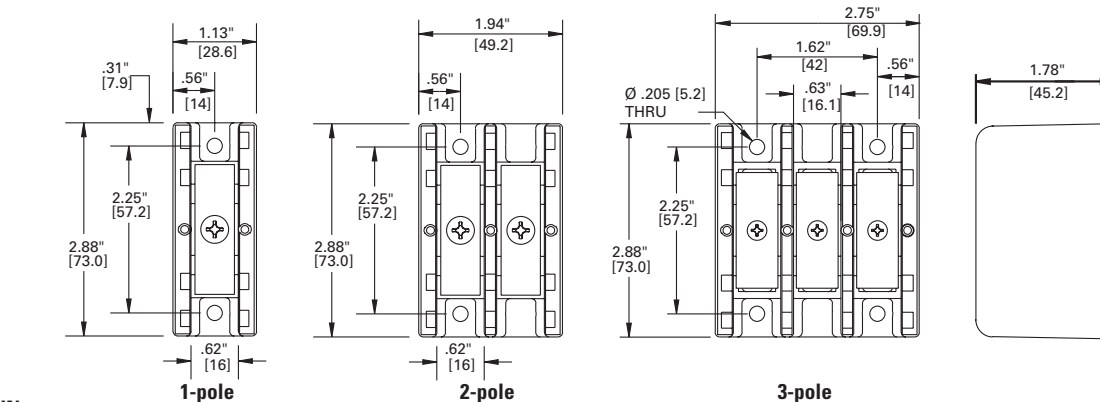
LX1XXX

Figure 2



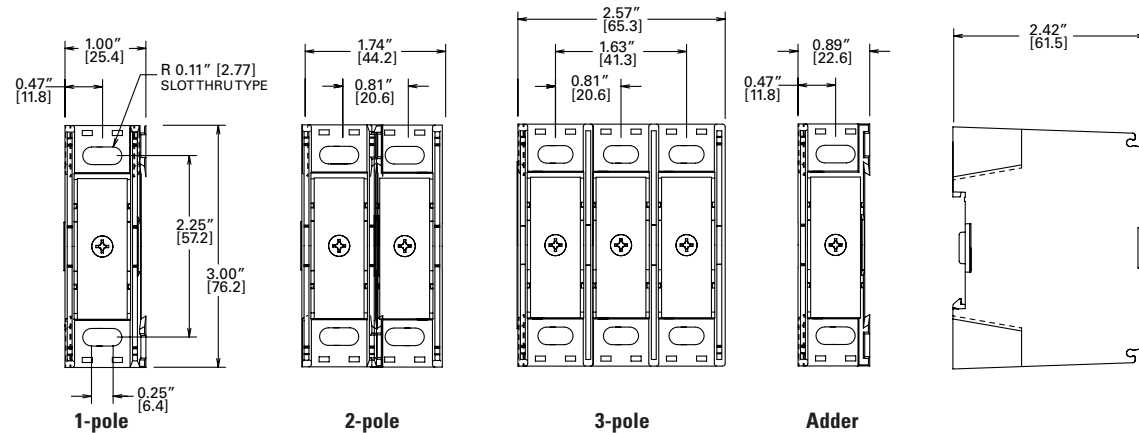
LX2XXX

Figure 3



LX2XXX-XDIN

Figure 4

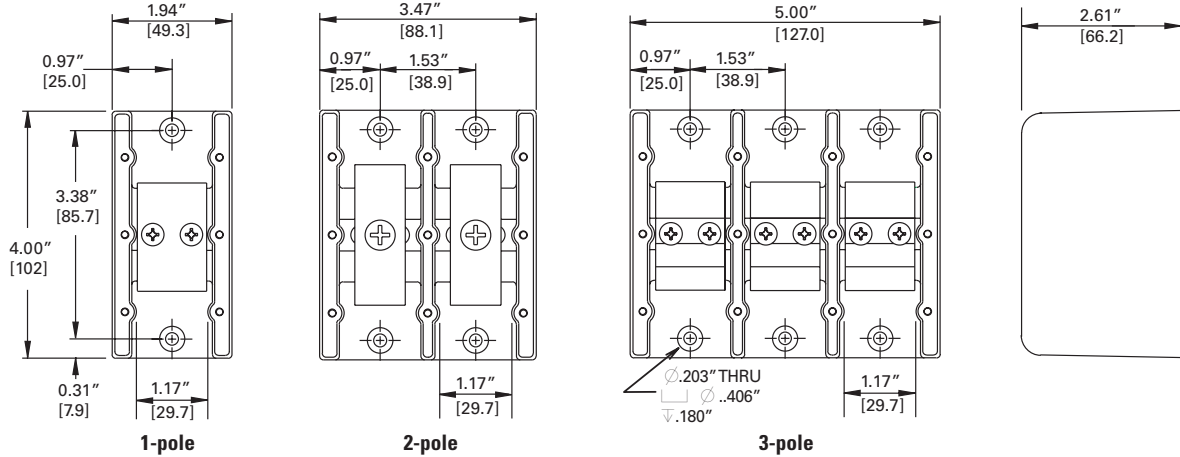


POWR-BLOKS™

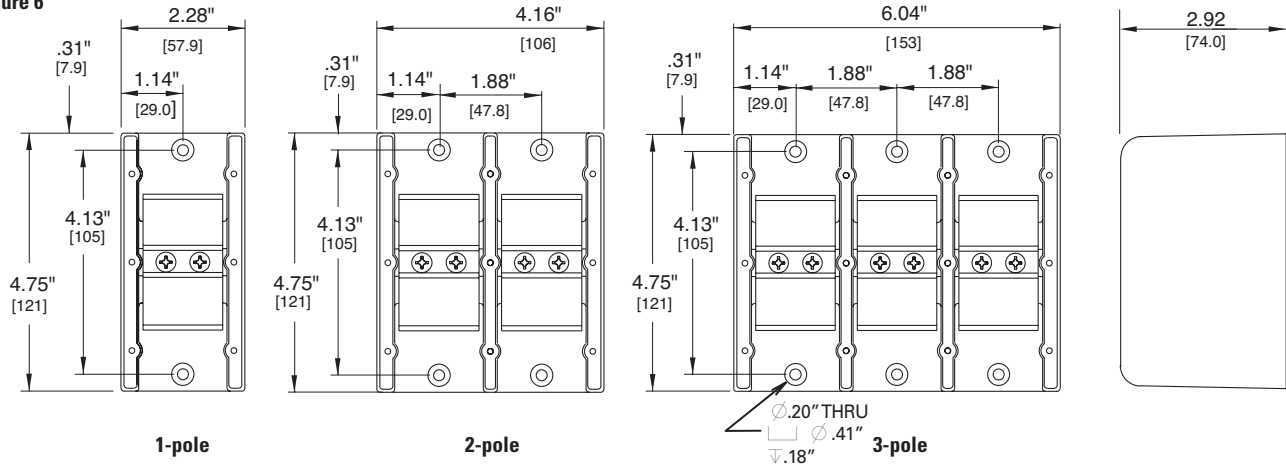
Distribution Block and Splicer Block Outline Drawings

Dimensions Inches (mm)

LX3XXX
Figure 5



LX4XXX
Figure 6



LX5XXX
Figure 7

