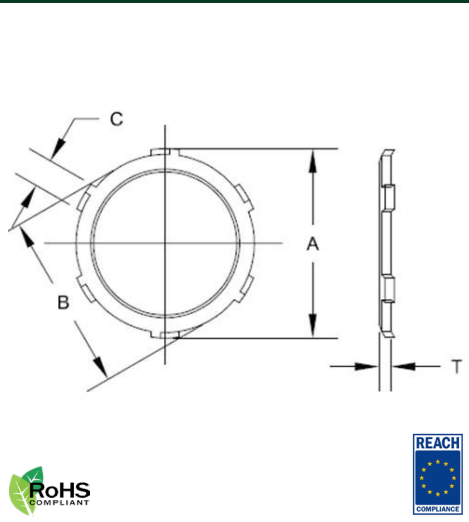


Product Image



NOTE

TOL: -A,B,C- 1/2"-1" +/-0.05"

1-1/4"-2" +/-0.030"

2-1/2"-6" +/-0.040"

T- 0.125" & 0.170" +0.005/-0.000

0.394 +0.017/-0.000

Locknuts

Locknuts are used to secure rigid and IMC conduit or other threaded fittings to electrical junction boxes or other enclosures.

Product Dimensions

PN#	Size	Pitch Dia.	Minor Dia.	A Dia.	B Dia.	C Dia.	T THK
LN50	1/2"	0.800 - 0.810	0.753 - 0.785	1.130	1.00	0.260	0.125
LN75	3/4"	1.010 - 1.020	0.964 - 0.995	1.390	1.255	0.260	0.125
LN100	1"	1.265 - 1.275	1.208 - 1.248	1.705	1.566	0.255	0.170
LN125	1-1/4"	1.610 - 1.620	1.553 - 1.593	2.065	1.900	0.430	0.170
LN150	1-1/2"	1.850 - 1.860	1.792 - 1.833	2.360	2.170	0.315	0.170
LN200	2"	2.322 - 2.332	2.265 - 2.303	2.860	2.680	0.445	0.170
LN250	2-1/2"	2.804 - 2.816	2.735 - 2.780	3.430	3.520	0.490	0.170
LN300	3"	3.429 - 3.441	3.360 - 3.405	4.110	3.950	0.615	0.170
LN350	3-1/2"	3.929 - 3.941	3.860 - 3.905	4.690	4.490	0.685	0.170
LN400	4"	4.429 - 4.441	4.360 - 4.405	5.265	5.000	0.745	0.170
LN500	5"	5.488 - 5.500	5.405 - 5.429	6.510	6.250	1.010	0.394
LN600	6"	6.545 - 6.557	6.462 - 6.486	7.850	7.300	1.110	0.394