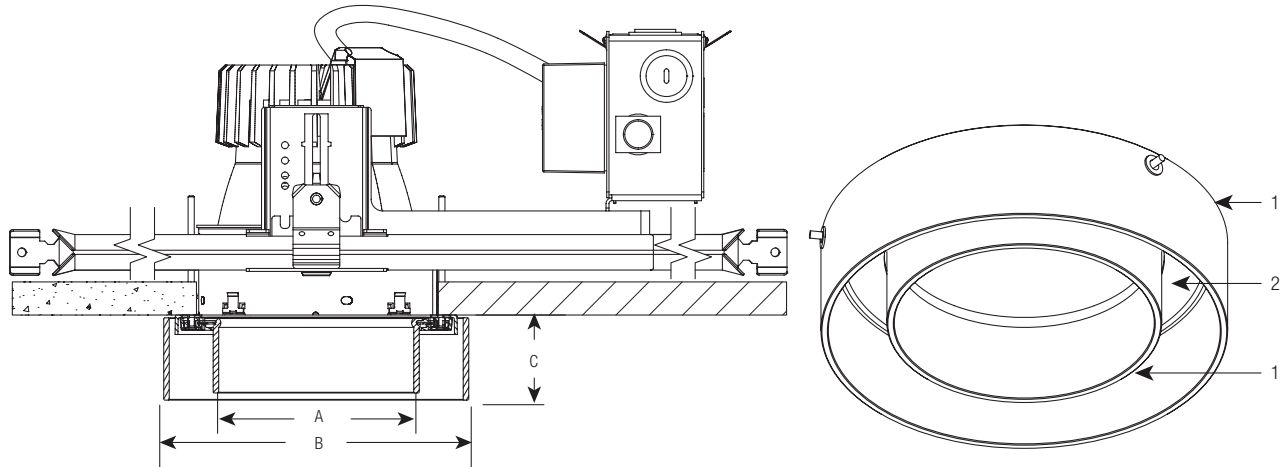


Architectural Decorative, Vetro, 4" LED



3 Piece Ordering System: Complete Fixture consists of Decorative Element, Calculite Light Engine, and Calculite Frame-In Kit. Each sold separately.

| Aperture | Decorative Element Catalog No. | New Construction Frame-In Kit and Flangeless Trim | Wattage | Dimensions | | |
|----------|--------------------------------|---|---------|------------|--------|--------|
| | | | | A | B | C |
| 4" | D4A14 | C4L05 Series | 10W | 4 1/8" | 7 1/4" | 2 1/4" |
| | | C4L10 Series | 20W | | | |

Features

- Decorative element:** Inner: Cylindrical hand blown triplex glass carefully proportioned to each aperture size. Glass is gently and evenly illuminated for clean brightness recognition. Outer: cylindrical hand blown clear glass.
- Die cast finish ring:** Aluminum Die Cast finish ring with crisp 90 degree edges conceals all fasteners for a clean finished appearance.
- Die cast construction ring:** Internal die cast construction ring is mechanically attached to frame in kit and is concealed by finish ring.
- Mounting frame fasteners:** Four #8-32 screws and 4 knurled die-cast thumb screws secure construction ring to frame in kit.
- Reflector:** *Flangeless trim required.* Specified separately. Use specular clear (CL) finish for best performance and aesthetics.
- Frame-In Kit:** Specified separately. See trim kit specification sheet for additional details.

Mechanical

Die cast construction ring securely fastened to four #8-32 screws and 4 knurled die-cast thumb screws. Decorative Element quarter turn twist and lock into die cast construction ring.

Labels

cULus (Wet Location)

| Job Information | Type: |
|-----------------|-------|
| Job Name: | |
| Cat. No.: | |
| Notes: | |