

## Straight Fittings

- For use with Carflex® conduit and Carflex® X-Flex™ conduit

Image 1



Assembly

Image 2

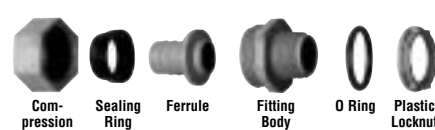


Image 3



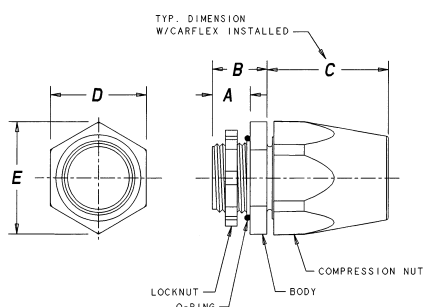
Assembly

Image 4

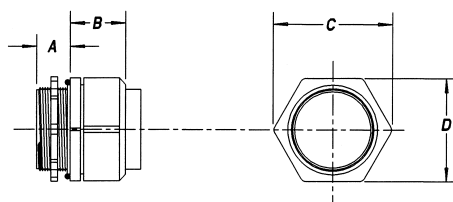


## Features

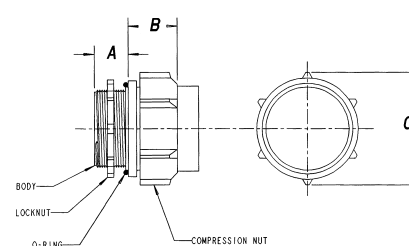
- Nonconductive and Noncorrosive
- Resistant to oil, acid, ozone, and alkaline
- Easy to install
- Nitrile rubber "O" ring for a liquidtight termination
- Temperatures up to 225°F (107°C)
- Meets UL Standard 514B



LT43C-CAR, LT43D-NEW, LT43E-NEW, LT43F



LT43G, LT43H



LT43J

## Specifications



Part No.	Size (in.)	Std. Ctn. Qty.	Std. Ctn. Wt. (lbs.)	A (inches)	B (inches)	C (inches)	D (inches)	E (inches)	Refer to Image
LT43C	3/8	50	3.6	.55	.75	1.60	1.30	1.40	1, 2
LT43C-CAR	3/8	15	1.4	.55	.75	1.60	1.30	1.40	1, 2
LT43D-NEW	1/2	50	4.2	.56	.91	1.62	1.30	1.40	1, 2
LT43E-NEW	3/4	50	6.6	.56	.91	1.88	1.61	1.71	1, 2
LT43F	1	25	5.5	.70	1.00	2.20	1.90	2.04	1, 2
LT43G	1-1/4	5	1.5	.71	1.16	2.50	2.17		3, 4
LT43H	1-1/2	5	2.0	.75	1.36	2.78	2.43		3, 4
LT43J	2	5	2.5	1.00	1.45	3.33			3, 4