

LUNERA MH LED VERTICAL PASSIVE



LED Replacement for Metal Halide Lamp

400W Passively Cooled, E39 Mogul Base, Vertical Mount

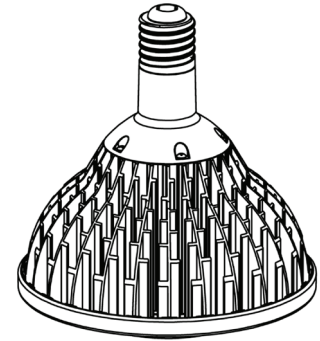
Description

The Lunera MH LED Vertical Passive is a plug-and-play replacement for a Metal Halide (MH) lamp with an E39 mogul base. With a significantly lower energy consumption than conventional MH lamps, this LED lamp replaces 400W MH lamps.

Lunera's BallastLED technology making this lamp truly plug-and-play by allowing it to operate directly off of existing ballasts. Simply replace the existing MH lamp with the Lunera MH LED without making any modifications to the fixture.

The Lunera MH LED Vertical Passive has a rated life of 50,000 hours – 5 times longer than that of MH lamps. That eliminates costly replacement cycles and reduces maintenance requirements.

The Lunera MH LED Vertical Passive is available in a range of color temperatures including 3500K, 4000K and 5000K. It delivers consistent light levels across its long life, which results in a high quality lighting experience for the building's occupants.



400W

Features

- Replaces 400W metal halide (MH) lamps
- Plug and Play installation, with existing installed magnetic ballasts
- Works well in enclosed fixtures
- Ultra-low energy draw, extends existing magnetic ballast life
- Up to 14,000 lumens, fixture delivered light output
- 146W lamp power, yields 60%-80% energy savings
- >80+ CRI
- CCT 3500, 4000 and 5000K
- Thermal IQ to support ambient temperatures up to 150°F (passively cooled only)

Ordering Information

Example: SN-V-E39-400W-4000-G2

Series	Version	Socket Type	Lamp Wattage Replaced	CCT	Generation
SN: Lunera MH Lamp	V: Vertical	E39: Fits in mogul (E39) base MH socket	400W-320W: 400W (M59)	3500: 3500K 4000: 4000K 5000: 5000K	G2: 2nd Generation

PROJECT	CONTACT	MODEL NO.
REFERENCE NO.	QUANTITY	DATE

Product Specifications

Driven by 400W (M59) Ballast

Illumination

Color Temperatures	3500K, 4000K, 5000K
Lumens	3500K: 12,824lm 4000K: 13,142lm 5000K: 14,055lm
Color Consistency	Lunera TruColor proprietary process
Lumen Maintenance (L85)	50,000+ hours life

Electrical System

Input Voltage	Driven by magnetic MH ballast
Power Consumption	145W
Lamp Wattage Replaced	400W

Physical

Dimensions (H x W)	9.411" x 8.266"
Weight	3.75 lbs
Housing and Finish	Painted
Heat Sink Size	8"

Environment

Ambient Temperature	-40°F to 150°F
Humidity Rating	Damp OK, no direct water spray
Fixture Type	Open or enclosed

Installation

Socket Type	Fits vertical mount mogul base (E39/EX39) MH socket
-------------	--

Certifications & Qualifications

UL	Recognized
RoHS Compliant	Contains no lead or mercury
LM79, LM80, IES Files	Available

Warranty

Warranty	5 years
----------	---------

Thermal IQ is a proprietary Lunera technology which enables the Susan Lamp to operate reliably up to 150°F ambient by dimming itself at extreme temperatures based upon thermal characteristics of the fixture in which it has been installed.

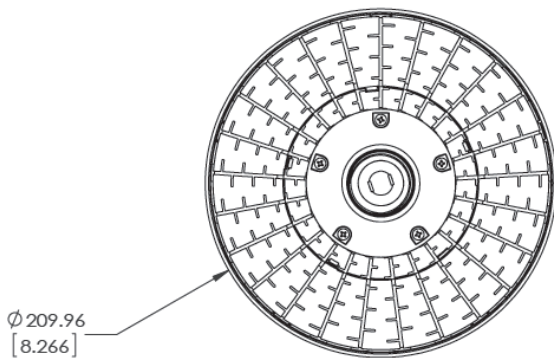
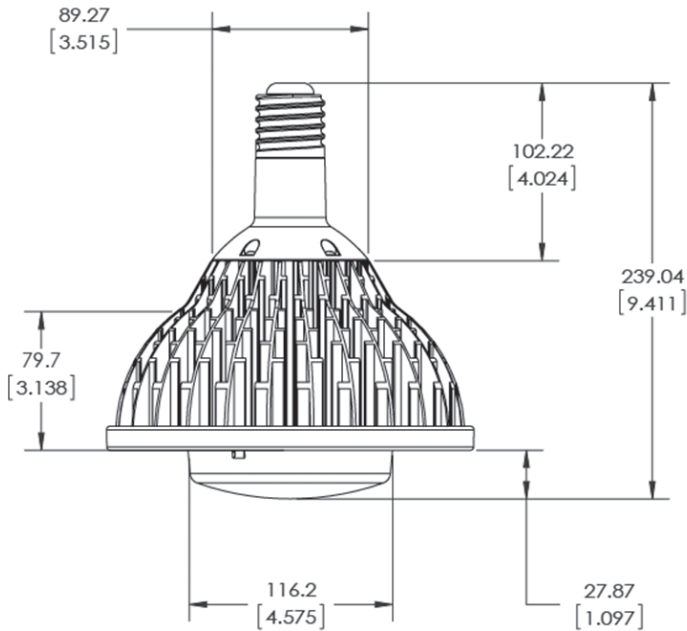
Product Dimensions

Measurements are rounded up. Dimensions are shown in millimeters. Please contact your Lunera representative for exact dimensions.

400W

CAUTION

- NOT approved for use in line voltage.



© 2016 Lunera Lighting, Inc. All Rights Reserved. Lunera and the Lunera logo are registered trademarks; All other trademarks are the property of their respective owners.

Specifications are subject to change without notice. This document is for informational purposes only.

For Technical Support:

www.lunera.com

T (650) 241-3874

<https://lunera.com/freshdesk.com/support/home>

R081516 © 2016 Lunera® Lighting

