

## RadioRA 2 Lamp Dimmers

RadioRA 2 Lamp Dimmers function much like standard lamp dimmers, but can be controlled as part of a lighting control system. Lamp Dimmers are useful in locations where single plug-in lamps need to be dimmed.

RadioRA 2 Lamp Dimmers incorporate advanced features such as fade on/fade off, delayed long fade off, and rapid full on.

RadioRA 2 Lamp Dimmers are simple to install and easy to use. Lamp Dimmers allow floor and table lamps to be added to a system quickly and easily.



RRD-3LD

### Model Numbers

RRD-3LD-XX\* 300 W/300 VA Lamp Dimmer

\*See **Colors and Finishes** below.

### Colors and Finishes

RadioRA 2 Lamp Dimmers are available in 2 colors.



Snow  
SW



Midnight  
MN

## RadioRA 2 Lamp Dimmers

### Specifications

<b>Model Numbers</b>	RRD-3LD-SW, RRD-3LD-MN
<b>Power</b>	120 V~ 50/60 Hz
<b>Typical Power Consumption</b>	0.25 W Test conditions: load is off and nightlight mode enabled.
<b>Regulatory Approvals</b>	UL, CSA, NOM, FCC, IC, COFETEL
<b>Environment</b>	Ambient operating temperature: 32 °F to 104 °F (0 °C to 40 °C), 0% to 90% humidity, non-condensing. Indoor use only.
<b>Communications</b>	Lamp Dimmers communicate with the system through Radio Frequency (RF) and must be located within 30 ft (9 m) of a repeater.
<b>ESD protection</b>	Tested to withstand electrostatic discharge without damage or memory loss, in accordance with IEC 61000-4-2.
<b>Surge Protection</b>	Tested to withstand surge voltages without damage or loss of operation, in accordance with IEEE C62.41-1991 Recommended Practice on Surge Voltages in Low-Voltage AC Power Circuits.
<b>Power Failure</b>	Power failure memory: should power be interrupted, the Lamp Dimmer will return to its previous state when power is restored.
<b>Warranty</b>	1 Year Limited Warranty. <a href="http://www.lutron.com/resiinfo">http://www.lutron.com/resiinfo</a>

### Design Features

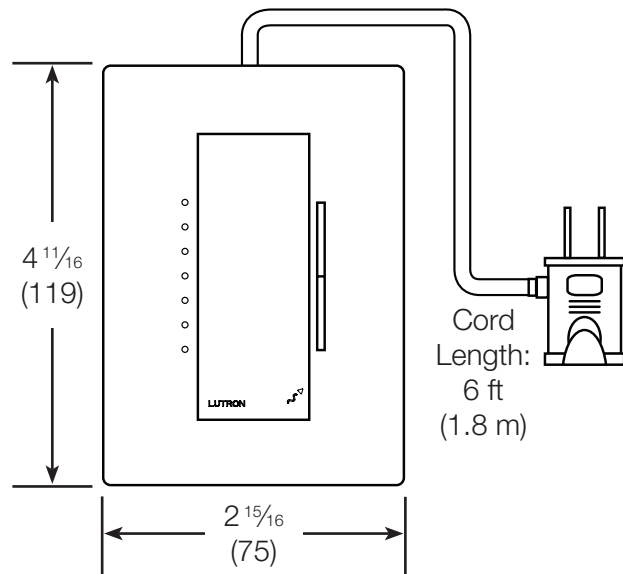
- On a single-tap, lights fade ON or OFF.
- On a double-tap, lights go to full ON.
- When ON, press and hold to engage the delayed long fade to OFF.
- Light levels can be fine-tuned by pressing and holding the dimming rocker until the desired light level is reached.

## RadioRA 2 Lamp Dimmers

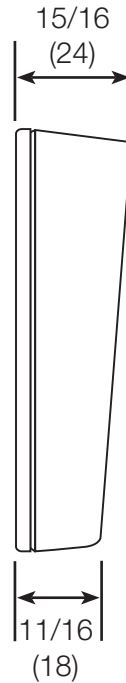
### Dimensions

All dimensions are shown as  $\frac{\text{in}}{(\text{mm})}$  unless otherwise noted.

#### Front View

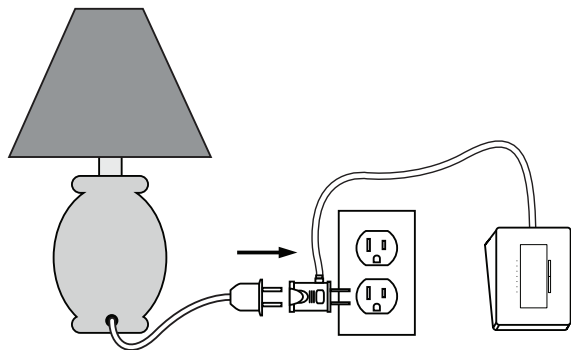


#### Side View

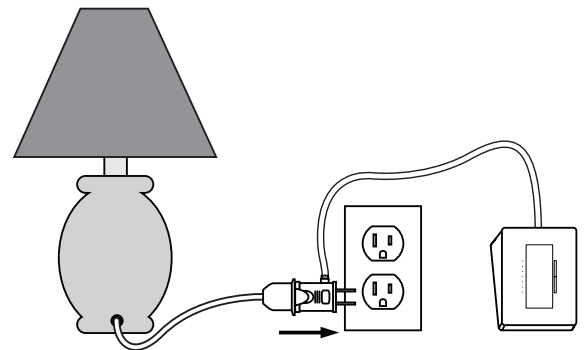


### Installation

Plug lamp cord into the Lamp Dimmer plug.



Plug Lamp Dimmer into standard wall outlet.



**NOTE:** This is a **POLARIZED** cord. It has a polarized plug (one blade is wider than the other) and outlet (one slot is wider than the other). The polarized plug is not intended to be mated with nonpolarized outlets (having both slots the same size). A polarized outlet is intended to mate with a polarized plug in only one way (the longer slot with the wider blade).

## RadioRA 2 Lamp Dimmers

### Load type and capacity

Load Type <sup>1</sup>	Minimum Load	Maximum Load
Incandescent	10 W	300 W
MLV <sup>2</sup>	10 W/VA	200 W/300 VA

<sup>1</sup> Lamp Dimmers are designed for use with incandescent, magnetic low-voltage, or tungsten halogen only. Do not use Lamp Dimmers to control receptacles or motor-operated appliances.

<sup>2</sup> Low-Voltage Applications: Use Lamp Dimmers with magnetic (core and coil) low-voltage transformers only. Not for use with electronic (solid-state) low-voltage transformers. Operation of a low-voltage circuit with lamps inoperative or removed may result in transformer overheating and premature failure. Lutron strongly recommends the following:

- Do not operate low-voltage circuits without operative lamps in place.
- Replace burned-out lamps as quickly as possible.
- Use transformers that incorporate thermal protection or fused transformer primary windings to prevent transformer failure due to overcurrent.

### Operation

