

Ariadni® / C•L™ Dimmer

Dimmer for dimmable CFL and LED bulbs

Features

- On/off toggle switch with a captive linear-slide dimmer for a traditional wallplate opening
- HED™ Technology: Lutron's advanced dimming circuitry designed for compatibility with most high efficacy light bulbs
- UL Listed to control:
 - Dimmable compact fluorescent load (CFL) with integrated ballast
 - Dimmable LED with integrated driver
 - Halogen
 - Incandescent
- Low-end adjustment dial to accommodate a wide range of bulbs

Available Model Numbers

AYCL-153P-____ Gloss Finish

Specifications

Regulatory Approvals

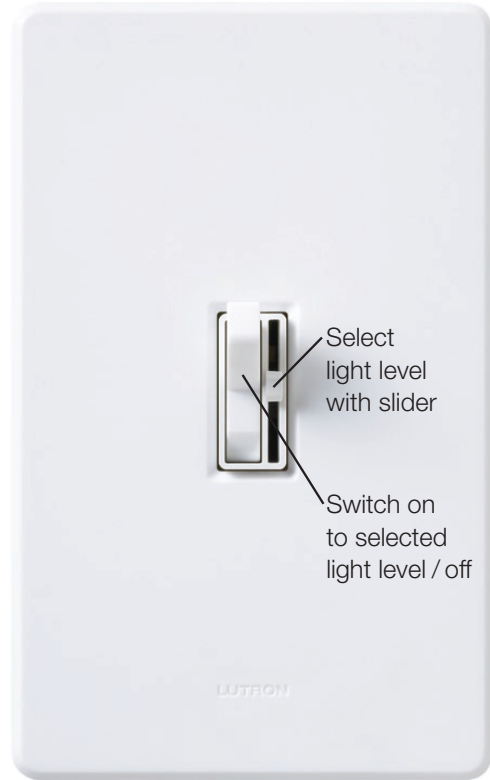
- UL Listed to US and Canadian safety standards UL1472 / CSA C22.2 184.1

Power and Ratings

- 120 V~ 60 Hz
- 150 W Dimmable CFL/LED
- or**
- 600 W Incandescent/Halogen
- or**
- Mixed bulb type per *Multigang and Mixed Bulb Type Ratings* table (see page 3)

Application Requirements

- **When using CFLs or LEDs, only bulbs marked or rated as Dimmable can be used.**
- For a complete list of approved DIMMABLE CFLs and LEDs please visit www.lutron.com/dimcflled or call 1.800.523.9466



* Faceplate sold separately

Environment

- For indoor use only.
- Operating temperatures 32 °F (0 °C) to 104 °F (40 °C).

Performance

- Power-failure memory
- Captive linear slider
- Electrostatic discharge tested
- Precise color matching
- Voltage compensation
- Mechanical air-gap switch to disconnect load power

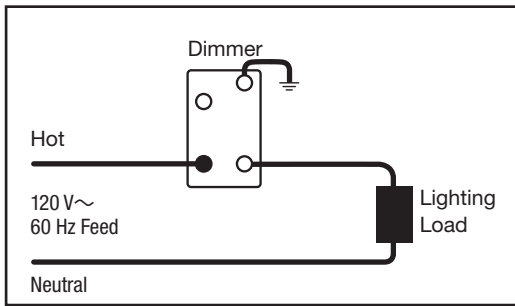
Warranty

- 1 Year Limited Warranty
For additional Warranty information, please visit http://www.lutron.com/TechnicalDocumentLibrary/369-119_Wallbox_Warranty.pdf

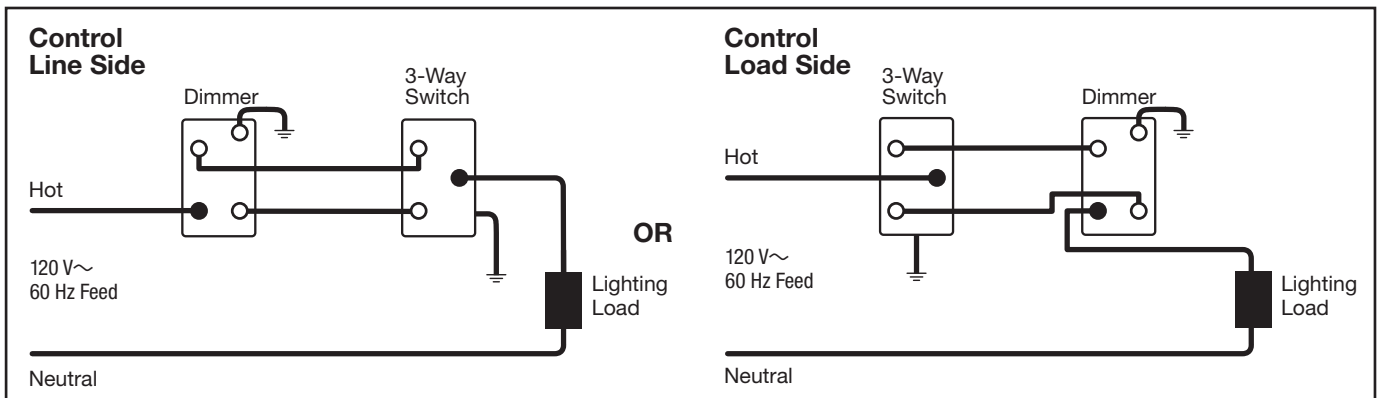
Job Name:	Model Numbers:
Job Number:	

Wiring Diagrams

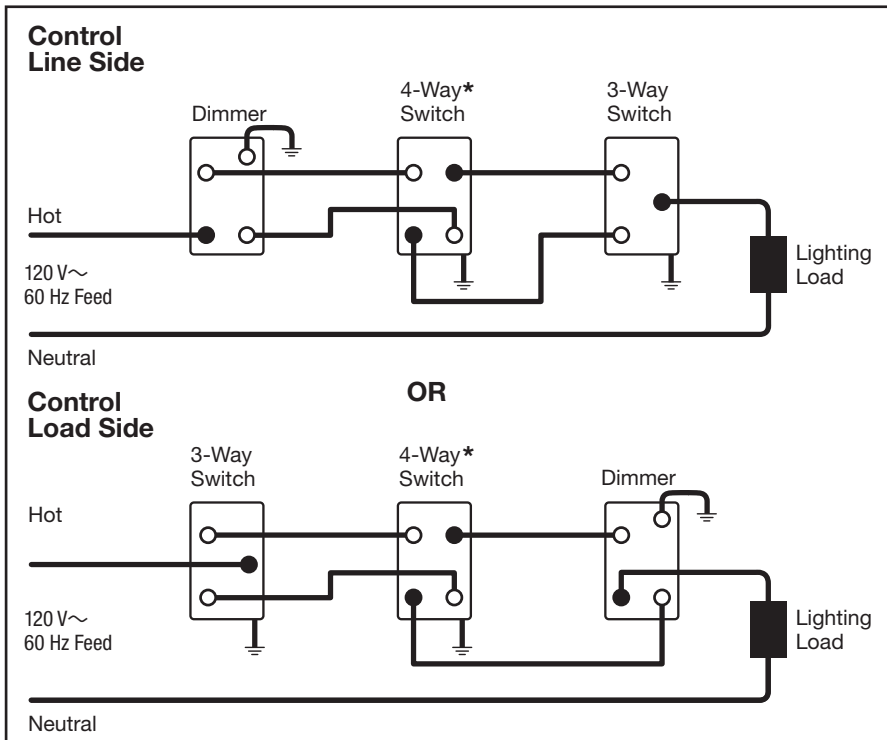
Single-Pole Wiring



3-Way Wiring



4-Way Wiring





Note: Dimmer must be installed Line Side or Load Side. It cannot be installed in the 4-way location.

*Please verify switch wiring with switch instruction sheet.

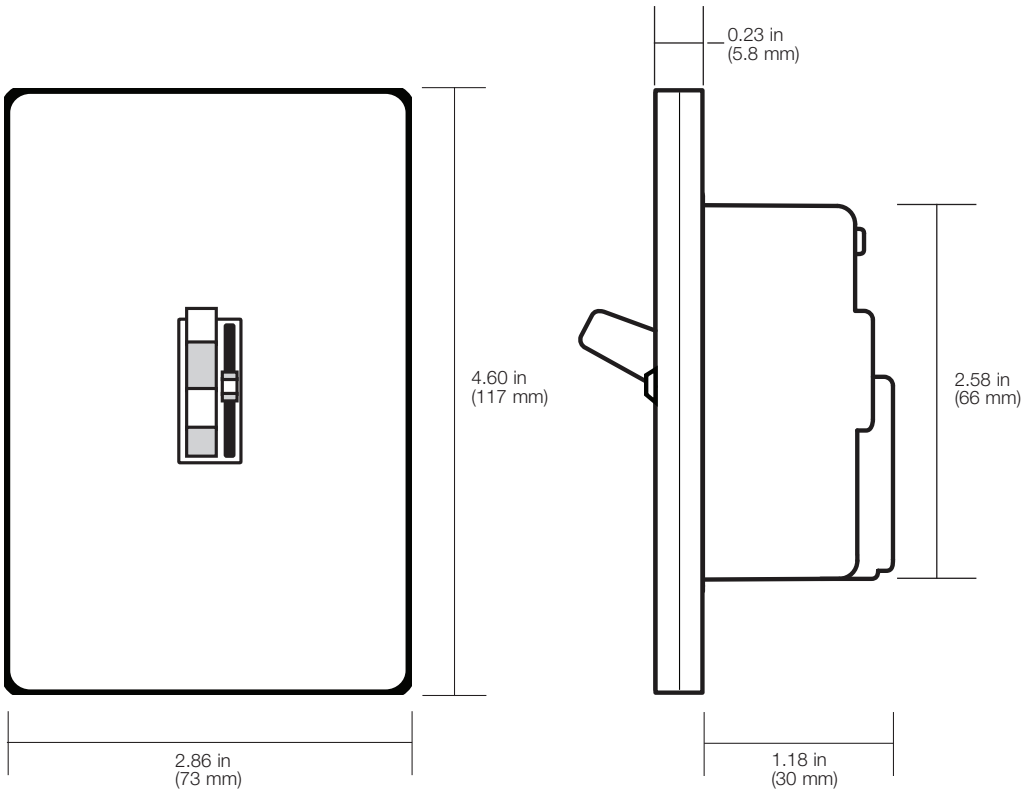
Job Name:	Model Numbers:
Job Number:	

Multigang and Mixed-Bulb-Type Ratings

Total CFL•LED Wattage Installed (Watts per bulb x # of bulbs)	 CFL  LED	Maximum Allowable Incandescent/Halogen Wattage		
		No sides removed	1 side removed	2 sides removed
0 W	+	600 W	500 W	400 W
1 W – 25 W	+	500 W	400 W	300 W
26 W – 50 W	+	400 W	300 W	200 W
51 W – 75 W	+	300 W	200 W	100 W
76 W – 100 W	+	200 W	100 W	50 W
101 W – 125 W	+	100 W	50 W	0 W
126 W – 150 W	+	0 W	0 W	0 W

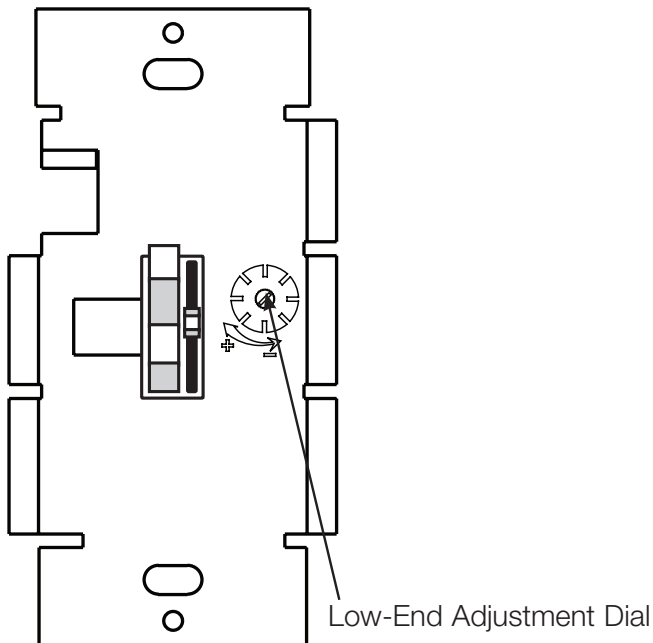
Job Name:	Model Numbers:
Job Number:	

Mechanical Dimensions



Low-End Adjustment Dial

View with faceplate removed



Colors and Finishes

Gloss Finishes

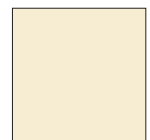
Add color suffix to model #
Example: AYCL-153P-WH



White
WH



Ivory
IV



Almond
AL



Light Almond
LA



Brown
BR



Black
BL

Job Name:	Model Numbers:
Job Number:	