

Description

Incandescent Controls **NT-Series**

These controls are for use with incandescent and quartz lamps only, 120VAC, 60Hz. Do not connect to receptacles, fluorescent fixtures, motor-operated appliances, or transformer-supplied appliances.

Magnetic Low-Voltage Controls **NTLV-Series**

These controls are for use with low-voltage incandescent and quartz lamps only. Do not connect to receptacles, fluorescent fixtures, or motor-operated appliances. Use with core and coil (magnetic) low-voltage transformers. Do not use to control a solid-state electronic low-voltage transformer. Call the **Lutron Hotline** for more information. Ask for Application Note 19: "Guide to Dimming Low-Voltage Lighting."

Operation of a dimmed low-voltage circuit with all lamps removed or inoperative may result in current flow in excess of normal levels. To avoid possible transformer failure, Lutron strongly recommends the following:

- Do not operate dimmed low-voltage circuits without operative lamps in place.
- Replace burned-out bulbs immediately.
- Use transformers that incorporate thermal protection or fuse transformer primary windings in order to prevent transformer failure caused by excess current.

Electronic Low-Voltage Controls **NTELV-Series**

These controls must not be used to control magnetic transformer-supplied low-voltage lighting. Use Lutron Magnetic Low-Voltage controls with magnetic transformer-supplied lighting fixtures. Some fixture manufacturers do not recommend dimming their solid-state transformers. To determine if a fixture may be dimmed, consult Lutron or the fixture manufacturer. These controls are overload-protected. If more than the rated wattage is applied, power to the circuit will shut off until the control cools. If this happens, remove excess load from the circuit.

Fan-Speed Controls **NTFS-Series**

These controls are for use only with fan or blower units that are operated by shaded-pole or permanently-split capacitor motors. Use with other types of motors may damage equipment and void warranty. Use with fans marked "Suitable for use with solid-state fan-speed controls only." Set multi-speed fans to their highest setting before installing controls.

Quiet Fan-Speed Controls **NTFSQ-Series**

These controls are for use with a single ceiling paddle fan only, rated at 1.5A maximum. (The current rating of your fan motor may be determined from the motor nameplate, packaging, or by contacting the manufacturer.) Do not wire into a circuit with a GFCI breaker or receptacle. Set multi-speed fans to their highest setting before installing controls. Do not use these controls for light fixtures. Not recommended for

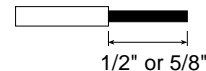
use with Hunter Original[®] Series fan. Contact Lutron's Customer Service department for suitable controls.

Fluorescent Controls **NTF-Series**

These controls are for use with Lutron's FDB or ECO Series Electronic Fluorescent Dimming Ballasts only. Refer to FDB or ECO Series specification sheets for maximum capacity. Do not use with other ballasts.

Important Notes

- Install in accordance with national and local electrical codes.
- These controls are designed to operate in ambient temperatures from 0°C to 40°C (32°F to 104°F).
- Wire connectors provided are suitable for copper wire only. Use to join one 10, 12, 14, 16, or 18 gauge wire with one or two 12 or 14 gauge wires.
Ces connecteurs conviennent seulement au fil de cuivre.



Strip insulation from all wires:

- 1/2" for 10, 12, and 14 gauge.
- 5/8" for 16 and 18 gauge.

- Check for short circuits in new installations before wiring controls. With power OFF, use appropriate switch and connect to lamp and voltage line. Turn power ON. If breaker trips, a short is present. Correct wiring and check circuit again. Install control only when short is no longer present.
- Multiphase applications: Use a separate neutral for each phase containing a control circuit. For more information, call the **Lutron Hotline** and ask for Application Note 17, "Common Neutral Interaction."
- To ensure proper dimming performance and full lamp life, fluorescent lamps must be operated at full intensity for 100 hours prior to dimming.

Installation

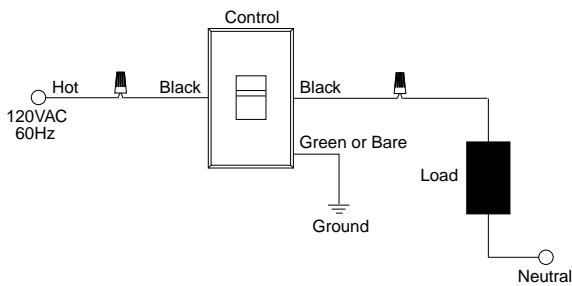
If more than one control is to be installed in the same wallbox, review the Multigang Installation section (back page) before beginning. Lutron multigang faceplates are available for ganging multiple units.

- Turn power OFF at fusebox or circuit breaker.
WARNING: Wiring with power on may result in personal injury. Damage to this product caused by wiring with power on voids warranty.
- Remove faceplate and faceplate adapter from control to prevent damage and to access mounting holes. Pull from top of faceplate to remove. Unscrew faceplate adapter. Set aside.
- Wire Control per appropriate wiring diagram (see next page) using wire connectors provided.
Note: Color names refer to the wire colors on the control.

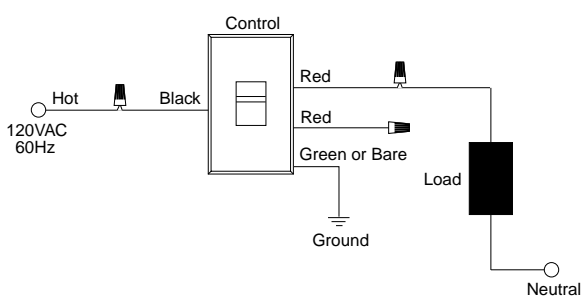
Wiring Diagrams

Model Number	Wiring Diagram
NT-600, NT-1000, NT-1500, NT-2000, NTFTU-5A	1
NT-603P, NT-1003P, NT-1503P	2
Single-Pole	3
3-Way	3
4-Way	4
NTLV-600, NTLV-1000, NTLV-1500	1
NTLV-603P, NTLV-1003P, NTLV-1503P	2
Single-Pole	2
3-Way	3
4-Way	4
NTELV-300, NTELV-600	7
NTFS-6E, NTFS-12E	5
NTFSQ	1
NTF-10, NTF-10-277	6

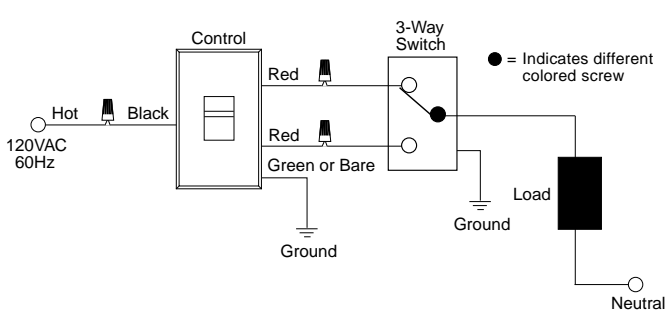
Wiring Diagram 1



Wiring Diagram 2

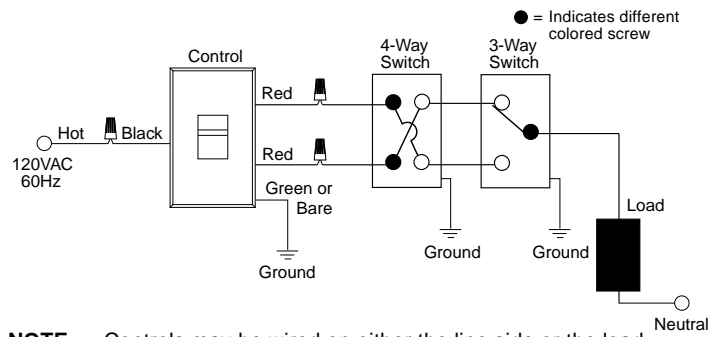


Wiring Diagram 3



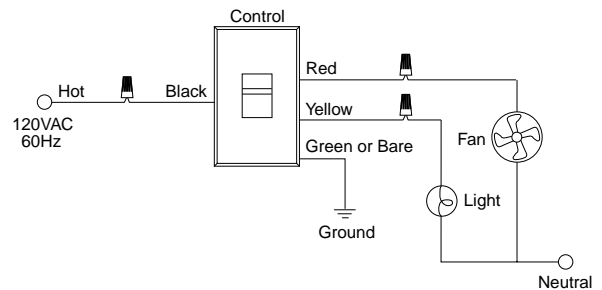
NOTE: Controls may be wired on either the line side or the load side of the switch.

Wiring Diagram 4

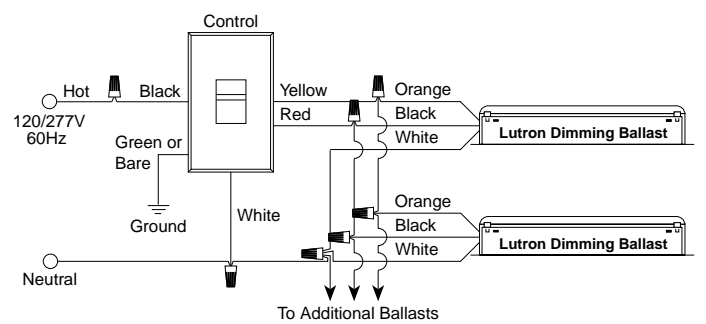


NOTE: Controls may be wired on either the line side or the load side of the switch.

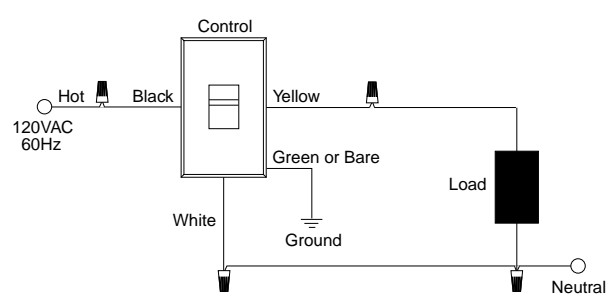
Wiring Diagram 5



Wiring Diagram 6

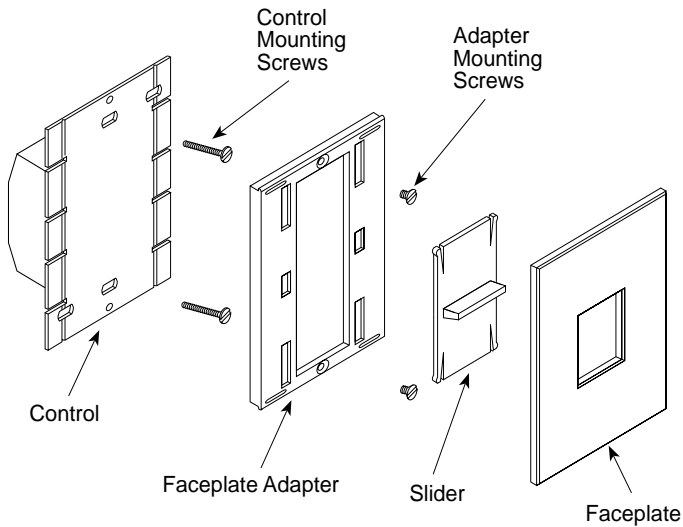


Wiring Diagram 7



Mounting Instructions

1. Push wires into wallbox, allowing room for control to be inserted. Do not pinch wires between wallbox and control.
2. Mount control to wallbox using screws provided. Controls must be mounted vertically. See stamp on control for correct positioning.
3. Mount adapter plate with mounting screws provided (see below).



4. Snap on slider and faceplate.

Operation

Slide-to-Off Controls

Raise slider to increase light intensity. Lower slider to decrease light intensity and turn off.

Preset Controls

Push button in center of slider to turn lights on to preset level (set by slider) and to turn lights off. Raise slider to increase light intensity. Lower slider to decrease light intensity.

3-Way and 4-Way Controls

When switching power from remote location, lights will turn on to level set on control (by slider), or turn off. Raise slider to increase light intensity. Lower slider to decrease light intensity and turn off.

Fluorescent Controls

Controls are factory calibrated and do not require low-end light adjustment. If lamps flicker or drop out at the minimum dimming level there may be an installation error. Continued use of the system in this mode will cause premature lamp failure. If this is occurring, call the **Lutron Technical Assistance Hotline** at: 1-800-523-9466.

To ensure proper dimming performance and full lamp life, fluorescent lamps must be operated at full intensity for 100 hours prior to dimming.

Multigang Installation

Multiple controls can be installed in a common gangable wallbox or a series of interconnected wallboxes for a clean, consolidated appearance. Lutron multigang faceplates are available to complete the installation. Refer to instruction sheet supplied with multigang faceplates for installation.

For new installations, controls can be ganged without removing side sections, but, to reduce the size of the multigang installation or to fit existing wallboxes, inner side sections must be removed. Because side sections are designed to dissipate heat, removing them requires derating the capacity of the control.

Note: When ganging any combination of small and large controls, place all small controls on one end of the gang and all large controls on the other. Use the chart below to determine the size and rating of each control.

Control Size and Rating Chart

Model	Control Size	No Sides Removed	1 Side Removed	2 Sides Removed
NT-600	S	600W	500W	400W
NT-1000	S	1000W	900W	700W
NT-1500	L	1500W	1250W	1000W
NT-2000*	L	1950W	—	—
NTLV-600	S	600VA	500VA	300VA
NTLV-1000	S	1000VA	900VA	700VA
NTLV-1500	L	1500VA	1200VA	1000VA
NT-603P	S	600W	500W	400W
NT-1003P	S	1000W	900W	700W
NT-1503P	L	1500W	1250W	1000W
NTLV-603P	S	600VA	500VA	300VA
NTLV-1003P	S	1000VA	900VA	700VA
NTLV-1503P	L	1500VA	1250VA	1000VA
NTELV-300	S	300W	300W	250W
NTELV-600	S	600W	500W	400W
NTFS-6E	S	6A	4.2A	2.5A
NTFS-12E	L	12A	10A	8.3A
NTFSQ	S	1.5A	1.5A	1.5A
NTF-10	S	16A	16A	16A
NTF-10-277	S	8A	8A	8A
NTFTU-5A	S	5A	4A	3.3A
NT-1PS	S	20A	20A	20A
NT-3PS	S	20A	20A	20A
NT-4PS	S	20A	20A	20A

*NT-2000 cannot have side sections removed.

The Wallbox Requirement Charts on this sheet do not apply for the NT-2000. See the NT-2000 instruction sheet for the appropriate requirements.

Worldwide Technical and Sales Assistance

If you have questions concerning the installation or operation of these products, call the **Lutron Technical Assistance Hotline**. Please provide exact model number when calling.

(800) 523-9466 (U.S.A., Canada, and the Caribbean)

Other Countries call (610) 282-3800

Fax (610) 282-3090

Visit our Web site at www.lutron.com

Side Sections Removed

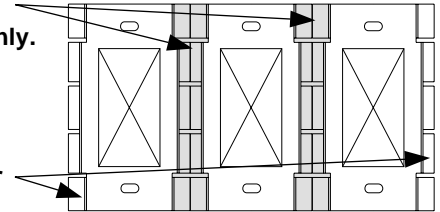
(Derating Required)

Wallbox Requirement Chart

		Number of Small Controls						
		0	1	2	3	4	5	6
Number of Large Controls	0	0	1	2	3	4	5	6
	1	1	3	4	5	6	7	8
	2	3	5	6	7	8	9	10
	3	5	7	8	9	10	11	12
4	7	9	10	11	12	13	14	

Remove inner side sections from controls. Using pliers, bend side sections up and down until they break off.

Remove inner side sections (shaded) only.



Do not remove outer side sections.

No Side Sections Removed

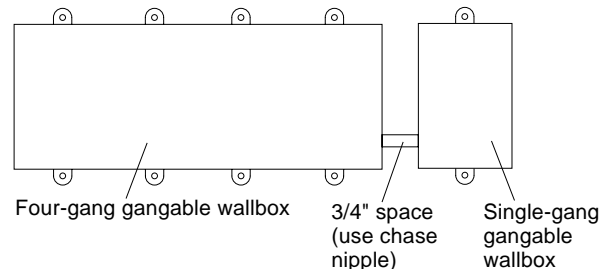
(Derating Not Required)

Wallbox Requirement Chart

		Number of Small Controls				
		0	1	2	3	4
Number of Large Controls	0	0	1	1+1	4	4+1
	1	1	3	5	6	8
	2	4	6	7	8	10
	3	6	8	10	11	13
4	9	11	12	14	15	

Note: When ganging an even number of small controls with side sections intact, use gangable 3"x2" wallboxes. Space an additional wallbox 3/4" apart from the other wallboxes. A 3/4" chase nipple is recommended as a spacer between wallboxes.

Example: Wallbox arrangement required for ganging 4 small controls with no side sections removed:



Warranty

Lutron will, at its option, repair or replace any unit that is defective in materials or manufacture within one year after purchase. For warranty service, return unit to place of purchase or mail to LUTRON at 7200 Suter Road, Coopersburg, PA 18036-1299, postage prepaid.

This warranty is in lieu of all other warranties, express or implied, and the implied warranty of merchantability is limited to one year from purchase. This warranty does not cover the cost of installation, removal, or reinstallation, or damage resulting from misuse, abuse, or damage resulting from improper wiring or installation.

This warranty gives you specific legal rights, and you may also have other rights which vary from state to state. Some states do not allow the exclusion or limitation of incidental or consequential damages or limitations on how long an implied warranty may last, so the above limitations may not apply to you.

Lutron Electronics Co., Inc.

7200 Suter Road

Coopersburg, PA 18036-1299 U.S.A.

Made and printed in U.S.A. 8/99 P/N 030-408 Rev. C