

# Product Data Sheet



## 699 GP XX PSB

Replace "XX" with 01 through 23 for number of poles

**Terminal Block– Open Back**  
**20 Amps, 150 Volts (AC/DC)**



(6 Pole shown)

**Insulator Strip Required for Voltage Rating**

**Copper Wire Only**

Wire Range with Wire Binding Screw: #14 - #16 AWG

7/16" Centers

Application torque: 9 in. lbs

### **Electrical Ratings:**

- 20A with Listed ring lug or unprepared wire, (Based on NEC Table 310-16, 75°C columns)
- 150 Volts AC/DC (UL 1059 Class B, User Group – Commercial Appliances)
- Short Circuit Current Rating: 10,000A (Default)
- Approved for Factory Wiring.

### **Mechanical Ratings:**

- Maximum insulator base temperature: 150°C (302°F)\* UL RTI
  - Flammability rating of insulator base: UL 94V-1
- \* Use outside these ratings needs to be judged in the end-use application.

### **Materials:**

- Connector (Eyelet): Brass, tin plated.
- Insulator base: Phenolic
- Screw, #6-32 Binder head, Phil-Slot: Brass, nickel plated

### **Agency Approvals:**

- UL Recognized, UL 1059 Terminal Block Standard, File No. XCFR2.47811
- CSA Certified, CSA C22.2 No. 158, File No. LR19766
- CE compliant, IEC 60947-7-1
- RoHS Compliant

## Wire Range:

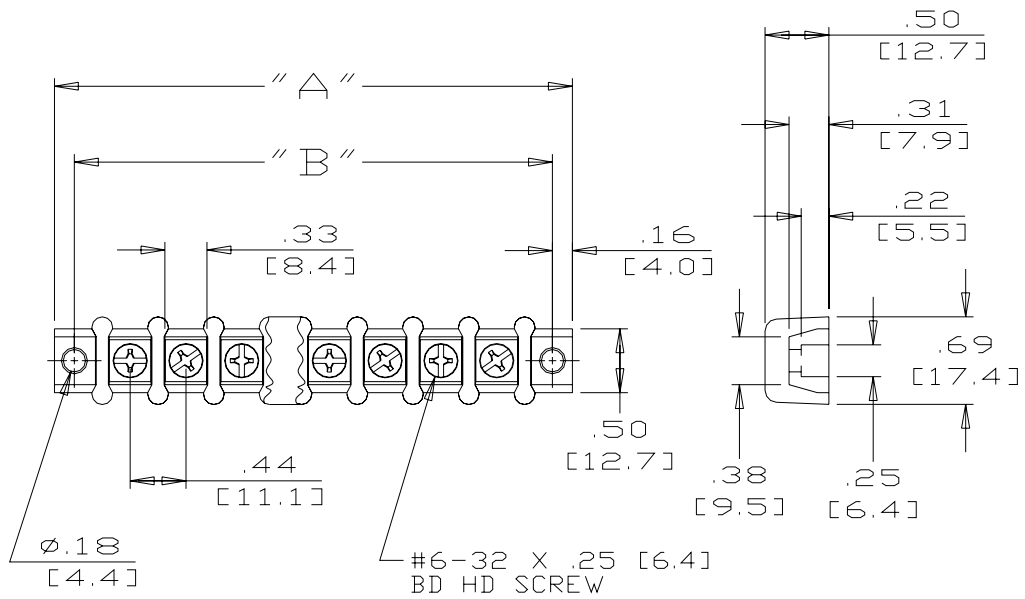
		Copper Wire Stranding Classes - Number of Strands		
Wire Size	Torque	Solid	Class B	Class C
14	9 in. Lbs	1	7	19
16	9 in. Lbs	1	7	19

Suggested product mounting hardware: #6 fastener, torque to 10-15 in. lbs.

## ACCESSORIES:

- Insulator Strip

**Accessory options may affect ratings – consult factory**



Catalog No	# of Poles	Dimensions			Catalog No	# of Poles	Dimensions	
		A	B				A	B
699 GP 01	1	1.19	0.88	X	699 GP 13	13	6.44	6.13
699 GP 02	2	1.62	1.31	X	699 GP 14	14	6.87	6.56
699 GP 03	3	2.06	1.75	X	699 GP 15	15	7.31	7.00
699 GP 04	4	2.50	2.19	X	699 GP 16	16	7.74	7.43
699 GP 05	5	2.94	2.63	X	699 GP 17	17	8.18	7.87
699 GP 06	6	3.37	3.06	X	699 GP 18	18	8.61	8.30
699 GP 07	7	3.81	3.50	X	699 GP 19	19	9.05	8.74
699 GP 08	8	4.25	3.94	X	699 GP 20	20	9.48	9.17
699 GP 09	9	4.68	4.37	X	699 GP 21	21	9.92	9.61
699 GP 10	10	5.12	4.81	X	699 GP 22	22	10.35	10.04
699 GP 11	11	5.56	5.25	X	699 GP 23	23	10.79	10.48
699 GP 12	12	5.99	5.68	X				

MM = Dim X 25.4

[WWW.MARATHONSP.COM](http://WWW.MARATHONSP.COM)  
1-419-352-8441

PDS 0263 Rev A 12/29/08