

COOPER LIGHTING - METALUX®

DESCRIPTION

The BC Series is an energy efficient luminaire designed for versatility in application and performance. The BC Series features an opal white acrylic refractor that produces a 180° uniform light distribution pattern.

The versatile BC Series combines quality and economy in a multi-purpose wall bracket. The luminaire is perfect for illuminating corridors, stairwells, lavatories, dressing rooms, patient rooms, utility/task and area lighting.

SPECIFICATION FEATURES

Construction

Housing channel die formed code gauge prime cold rolled steel. Sturdy positive lampholder mounting bracket. Reflector/channel wireway cover secured by quarter-turn fastener for easy wireway access. Channel back has numerous KO's for easy installation. Decorative white opaque injection molded end plates.

Electrical

Ballast are CBM/ETL Class "P" and positively secured by mounting bolts. Pressure lock lampholders. UL/CUL listed. Suitable for damp locations.

Finish

Painted after fabrication. Electrostatically applied baked white polyester powder enamel finish. Multistage cleaning cycle, iron phosphate coating with rust inhibitor. Conveyorized application and baking time accurately controlled at an elevated temperature.

Frame/Shielding

Smooth opal 100% virgin acrylic refractor. 180° uniform light distribution (Uplight, Frontal & Downlight). Refractor is securely held in place by removable decorative injection molded white end plates. Refractor can be easily removed for installation and maintenance.

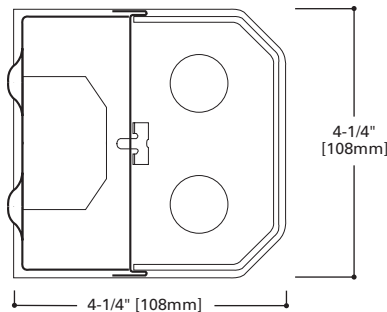
Catalog #		Type
Project		
Comments		Date
Prepared by		



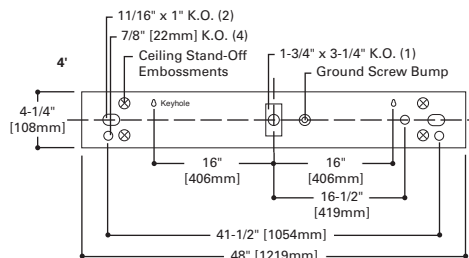
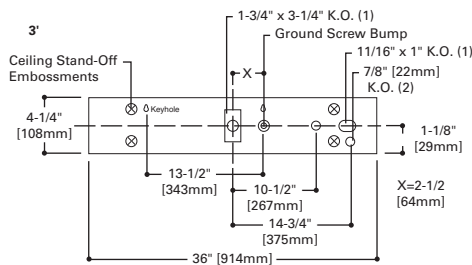
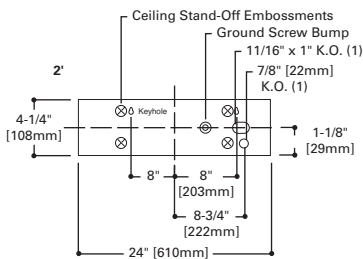
BC
120, 117, 130
125, 140, 132
220, 217, 230
225, 240
232

2', 3' OR 4' WALL BRACKET
1 OR 2 LAMP

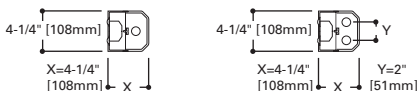
All Purpose Wall Bracket



MOUNTING DATA



LAMP CONFIGURATIONS



ENERGY DATA

Input Watts:

EB Ballast & STD Lamps

117 (20), 130 (31), 125 (28), 140 (38),
132 (30), 217 (36), 230 (60), 225 (47),
240 (72), 232 (61)

ES Ballast & STD Lamps

120 (32), 117 (23), 130 (46), 125 (33),
140 (38), 132 (30), 220 (58), 217 (45),
230 (74), 225 (65), 240 (86), 232 (71)

Luminaire Efficacy Rating

LER = FL-65

Catalog Number: BC-232A

Yearly Cost of 1000 lumens,
3000 hrs at .08 KWH = \$3.69

LAMPS CONTAIN MERCURY. DISPOSE ACCORDING
TO LOCAL, STATE OR FEDERAL LAWS

LINEAR DISCONNECT

Safe and convenient means of
disconnecting power.



PHOTOMETRICS

Energy Saving Ballast, F32T8/35K lamps rated at 2850 lumens.
Spacing criterion: (II) 1.3 x mounting heights, (L) 1.5 x mounting height.

Light Loss Factor .74. For complete photometric report BC232A.IES

BC-232A

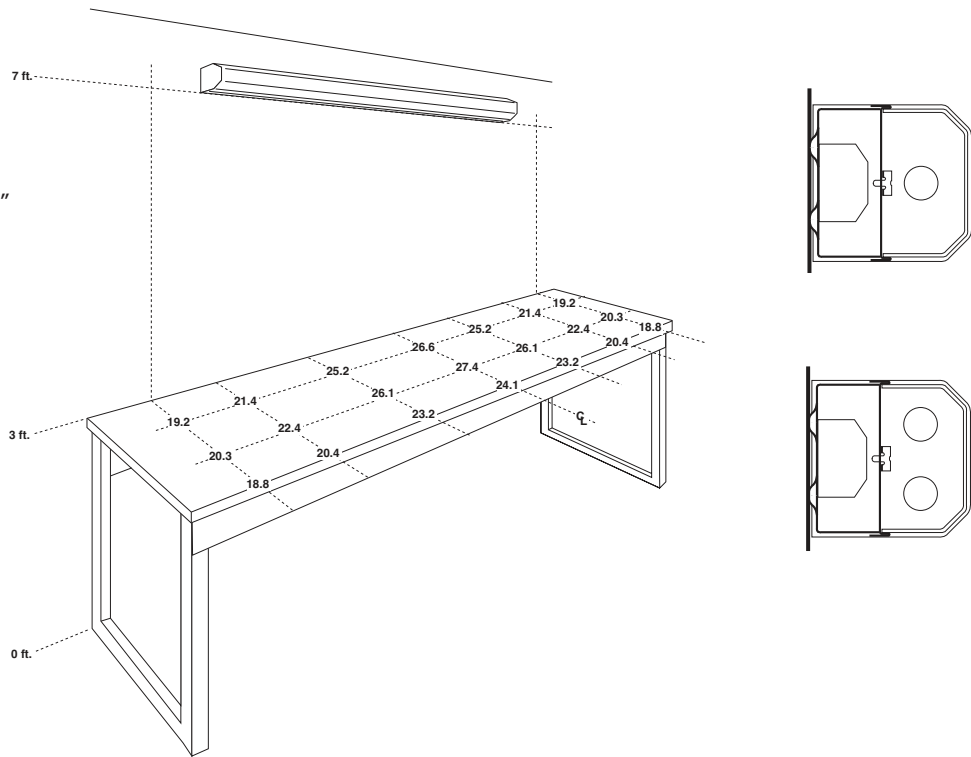
(II)Lamps (2) F32T8/35K
Lumens 2850 Each

Conditions

Ceiling Height 8'-0"
Mounting Height 7'-43/64"
Work Plane 12'-0"

Reflectance

Ceiling 80%
Walls 50%
Floor 20%



Scale is Exaggerated on Fixture Application and Mounting

ORDERING INFORMATION

SAMPLE NUMBER: BC-232A-120V-EB81-U

<p>Series BC=All Purpose Wall Bracket</p> <p>Number of Lamps 1=Lamp (Not Included) 2=Lamps (Not Included)</p> <p>Wattage 20=20W T12 (24") 17=17W T8 (24") 25=25W T8 (36") 30=30W T12 (36") 32=32W T8 (48") 40=40W T12 (48")</p>	<p>Ballast Start Type LTS=Low Trigger Start (20W only) (120V only) HTS=High Trigger Start (20W only)</p> <p>Voltage ⁽¹⁾ 120V=120 Volt 277V=277 Volt 347V=347 Volt UNV=Universal Voltage 120-277 ⁽²⁾</p> <p>Options GL=Single Element Fuse GM=Double Element Fuse EL=Emergency Installed</p>	<p>Ballast Type ⁽¹⁾ Blank=Standard Magnetic T12 Ballast EB8 = T8 Electronic Instant Start. Total Harmonic Distortion < 10% No. of Ballast 1, 2 or 3 EB8_/PLUS= T8 Electronic Instant Start. High Ballast Factor >1.13. Total Harmonic Distortion < 20% No. of Ballast 1, 2 or 3 ER8 = T8 Electronic Program Rapid Start. Total Harmonic Distortion < 10% No. of Ballast 1, 2 or 3 EB2 =T12 Electronic Rapid Start. No. of Ballast 1 or 2</p>	<p>Packaging U=Unit Pack</p> <p>Options CO=Convenience Outlet (120V only) RS1=Rotary Switch (1 Circuit, 120V only) PS1=Pull Switch (1 Circuit) RLS=Rotor Lock Socket (T8 Lamp only)</p>
--	--	--	---

NOTES: ⁽¹⁾Products also available in non-US voltages and frequencies for international markets. ⁽²⁾Not available when specifying emergencies, voltage must be specific.

Specifications & dimensions subject to change without notice. Consult your Cooper Lighting Representative for availability and ordering information.

SHIPPING DATA

Catalog No.	Wt.
BC-117	8 lbs.
BC-125	10 lbs.
BC-132	11 lbs.
BC-217	8 lbs.
BC-225	10 lbs.
BC-232	11 lbs.