



Catalog Number: 666-SC3R-NK  
Item Description: N3R SCREW COVER ENCL NK  
UPC Code: 784572108219

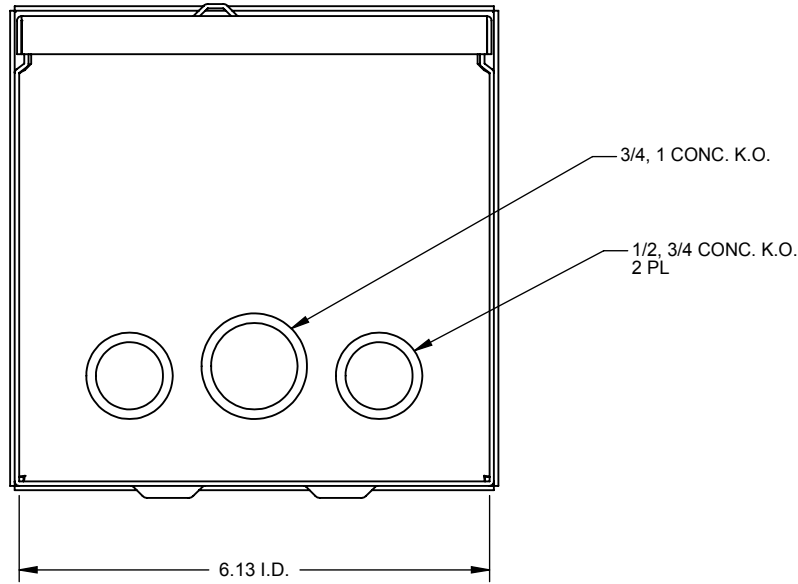
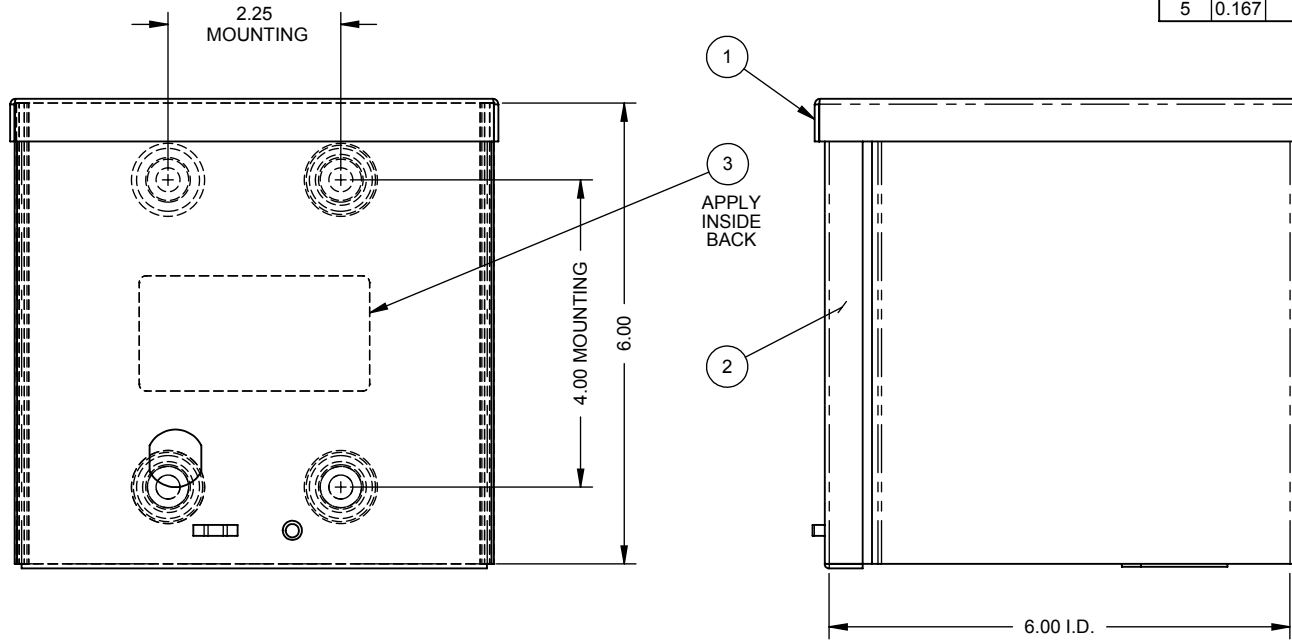
Brand Name: Milbank  
Type: Screw Cover  
Special Features: Drip Shield Top, Cover Secured with Plated Screw, Mounting Embosses on Enclosure Back  
Application: Enclosure for Mounting Electrical Equipment  
Standard: UL Listed  
Number Of Outlet: 0  
Material: Steel with Powder Coat Finish  
Color: ANSI 61 Gray  
Mounting: Wall Mount  
NEMA Rating: Type 3R




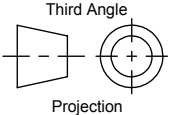
*Utility requirements may vary. Always consult the serving utility for their requirements prior to ordering or installing this equipment. This product must always be installed by a licensed electrician. Installation of this equipment may require local electrical inspector approval.*

CATALOG#	LABEL#
666-SC3R	1002135
RC-666-SC3R	1125021
SPRSC-666	1132714

ITEM	QTY.	PART NUMBER	DESCRIPTION
1	1	1004461	BACK WELDMENT
2	1	1002108	FRONT
3	1	(SEE CHART)	LABEL (UL)
4	1	1002170	BAG OF NEMA SCREWS
5	0.167	1002133	CARTON 6-PER (NOT SHOWN)



NOTES:  
1.) BAG ASSY TO BE SHIPPED INSIDE OF ENCLOSURE.

Material:	16 GA. GALV. STEEL	 General Offices: Kansas City, MO	
Finish:	MILBANK LIGHT GRAY		
Tolerances: Unless Specified Otherwise X.X ±.1 X.XX ±.03 X.XXX ±.015 X* ±2°		Title:	666-SC3R SCREW COVER TYPE 3R ENCLOSURE
 Third Angle Projection		Catalog No.:	
Scale: NTS		Customer:	MILBANK STANDARD
Checked By:		Drawing No.:	<b>1003059</b>
Drawn By:		Date:	03/12/03 Sheet 1 of 1

NEMA DWG.: #185

F	10/19/11	DELETE 1001290; ADD 1002170 (ECO #21467)	D.F.		
G	1/5/12	1002108 WAS 1121991 (ECO #21725)	D.F.		