

# AURORA™

## SOLAR FLASHING

No-Calk® Solar Flashings are designed to flash around solar mounting systems. The products consist of a metal base with an elastomeric collar that incorporates a unique tear out feature enabling it to snugly fit most common mounting systems. The flashing bases are available in aluminum, soft aluminum or galvanized metal to accommodate all different roofing materials.



### AURORA SOLAR FLASHING PREVENTS LEAKS AND ELECTRICITY GROUNDING HAZARDS.

#### Efficient

Easy, fast and sure to install.  
Two items flash ½" to 3" penetrations.

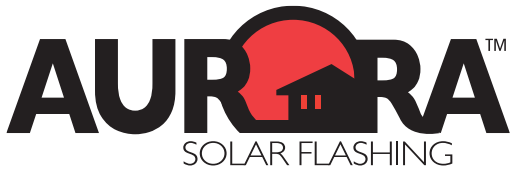
#### Effective

Collar is designed to fit without stress.  
Seals and prevents moisture from collecting without messy caulk or silicon.  
Seals against insects and vermin.  
Flashings won't fade, crack or rust.  
Low profile, clean appearance.

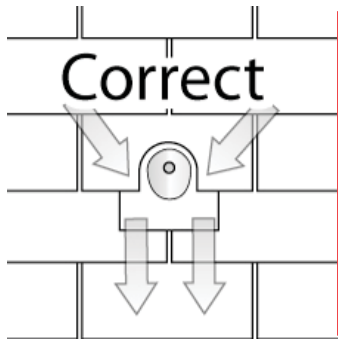
#### Aurora™ Solar Flashing

Product Number	Description	Carton Quantity
G11831	NC ½", ¾", 1", 18" x 18" Galvanized Flashing	12
G11833	NC ½", ¾", 1", 18" x 18" Soft Aluminum Flashing	12
G12801	NC ½"-1 ½", 9 ½" x 12 ½" Galvanized Flashing	12
G12803	NC 1 ½"-3", 9 ½" x 12 ½" Galvanized Flashing	12
G12802	NC ½"-1 ½", 9 ½" x 12 ½" Aluminum Flashing	12
G12804	NC 1 ½"-3", 9 ½" x 12 ½" Aluminum Flashing	12



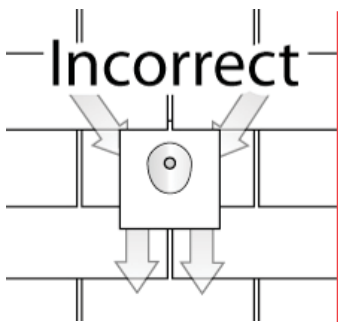


**A PROPERLY INSTALLED FLASHING IS IMPERATIVE ON ANY INSTALLED MOUNTING TO INSURE ALL STRUCTURAL ATTACHMENTS PROVIDE A WATER-TIGHT SEAL.**



**Proper Flashing installation**

The correct placement of a flashing is to cut in the area where the lag bolt is engaged to the roof. This method keeps water from entering the space underneath the flashing. By keeping the area where the lag bolt hole is made, there is virtually no opportunity for roof leaks. Use the flashing template to quickly install your flashings.



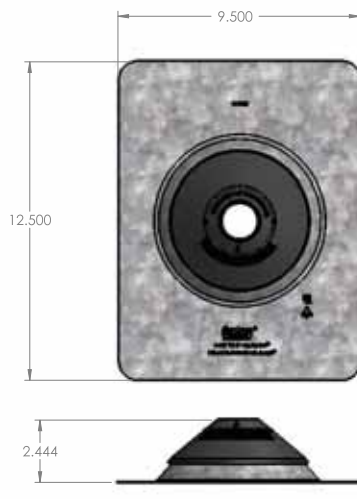
**Incorrect Flashing Installation**

The incorrect placement of a flashing is assuming that you do not need to cut into the roofing material. Notice when the flashing is not cut into the shingle it is very easy for water to flow under the space beneath the flashing and into the lag bolt connection.

Be sure to use the flashing template for an easy shortcut when installing your flashings.



G12801, G12802



G12803, G12804

Dimensions in inches.

**Solar Flashing**

No caulk design

Available in box quantities of 12.

**Check out the SolarPro Oct/Nov 2008 article on line at [www.solarprofessional.com](http://www.solarprofessional.com)**

Not only is flashing roof penetrations the ideal solution for longterm waterproofing, it is also frequently mandated by the Authority Having Jurisdiction (AHJ), written into codes and required by the roofing manufacturer to maintain the roof warranty." Rob Hernandez, an independent roofing consultant with Jim Whitten Roof Consultants, agrees that systems installed without flashing are potentially exposed to litigation. "Instructions from roofing manufacturers, guidelines and standards in the roofing industry, accepted best practices and building codes all require the use of flashed penetrations. Given this, a reasonable person could conclude that the failure to flash penetrations constitutes negligence." Hernandez explains that the numbers his industry uses include curtain walls and foundations, but "something like 80% of all construction related litigation stems from water intrusion."

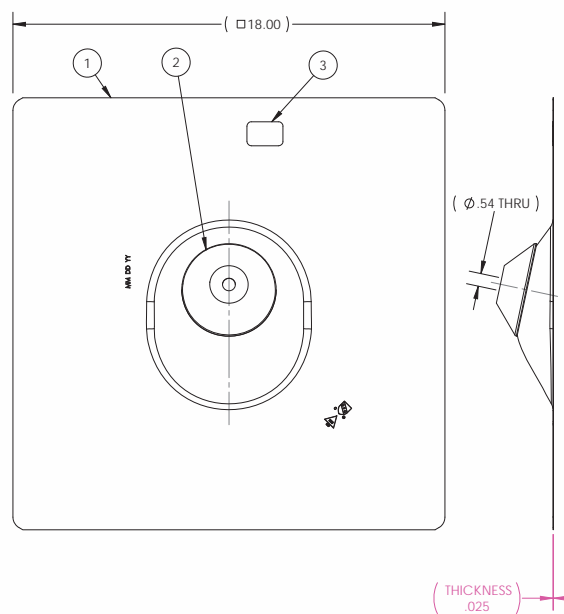
DISTRIBUTED BY:

MORRIS Products  
53 Carey Rd.  
Queensbury, NY 12804  
888-777-6678  
[www.morrisproducts.com](http://www.morrisproducts.com)

REV.	ECN/PCR	DESCRIPTION	DATE	APPROVED
A	0000321	RELEASED FOR PRODUCTION	5/17/2010	RPS
B	0000338	ADDED CARTON, LABEL, INSP NOTES & PKG NOTES	9/29/2010	BPO



(FORM AS SHOWN ON DRW #E7534-A30)



**OPERATOR INSPECTION REQUIREMENTS**

- NO BURRS OR JAGGED OR SHARP EDGES PERMITTED ALONG OUTSIDE PERIMETER OF SHEET METAL BASE
- SHEET METAL MUST REMAIN FREE OF CRACKS, SPLITS, & UNUSUAL WARPAGE EXCEPT AS OTHERWISE NOTED BELOW
- CRACKS ALONG THE PIERCED EDGE OF THE SHEET METAL THRU-HOLE MAY NOT EXTEND BEYOND THE DEEPEST AREA (BOTTOM) OF THE COLLAR MOUNTING RIM
- THE CRIMP (SHEET METAL RIM GRIPPING COLLAR BEAD) MUST BE FREE OF GAPS AND VOIDS (EXCEPT FOR BETWEEN CRIMPER SEGMENTS), & COLLAR SHOULD NOT BE READILY FREE TO SHIFT IN COLLAR SEAT (NEITHER AXIALLY NOR RADIALLY) AFTER CRIMPED
- TO VERIFY THE FLASHING ASSEMBLY HAS A STRONG WATERTIGHT SEAL (AS DURING SETUP & AFTER THE MOLD HAS BEEN CHANGED) TEST THE ASSEMBLY IN THE APPROVED PULL-TEST FIXTURE TO POUNDS FORCE  
 "PASS": COLLAR REMAINS SECURE AND FLUSH TO BOTTOM OF RIM  
 "FAIL": COLLAR DISLODGES OR LOSES CONTACT W/ BOTTOM OF RIM
- PULL-TEST ONE FLASHING SUB ASSEMBLY OUT OF EVERY 20 CARTONS PRODUCED (FORWARD UNDAMAGED "PASSED" SPECIMENS FOR PACKAGING)
- FLASHINGS MUST INCLUDE THE CORRECT DATE STAMPED INTO THE SHEET METAL BASE, IN 2-DIGIT NUMERICAL FORMAT:  
 MONTH DAY YEAR
- STAMPED GRAPHICS (LISTING SYMBOLS, DATE & BRAND, MODEL, & SIZE, AS APPLICABLE) MUST BE LEGIBLE
- STAMPED BRAND, MODEL, & SIZE (OR BLANK IF APPLICABLE) MUST BE CONSISTENT WITH PRODUCT BEING PACKAGED, AS SHOWN
- SIDE OF CARTON MUST BE MARKED WITH THE CORRECT DATE CODE, IN THE FORMAT: Y M DD S  
 WHERE  
 Y = YEAR (LAST DIGIT ONLY, AS IN 0 THRU 9)  
 M = MONTH (AS IN A = JANUARY THRU L = DECEMBER)  
 DD = DAY (AS IN 01 THRU 31)  
 S = SHIFT (1, 2, OR 3)

QUESTIONABLE PARTS MUST BE FORWARDED TO QUALITY ASSURANCE OR THE DEPARTMENT MANAGER

ITEM NO.	PART #	DESCRIPTION	QTY.
1		PART #90033, ALUMINUM 1100-0 COIL .0245 x 18.875, (UOM = LBS)	0.794
2		RAIN COLLAR, NO-CALK SOLAR CRIMP-ON, 5, 75, 1 x 2.5 MTG RING	1
3		LABEL UPC 1.5" X 1"	1
4		CARTON, 18"x18" NC (NOT SHOWN)	0.08333
5		LABEL - 5X4 BLANK (NOT SHOWN)	0.08333

**PACKAGING PROCEDURE:**

- ADHERE ITEM#3 LABEL TO SUB ASSEMBLY
- PLACE (12) SUB ASSEMBLIES INTO CARTON
- ADHERE ITEM#5 LABEL TO CARTON, & STAMP DATE CODE



<b>Morris Products Inc</b> Queensbury, NY		DESCRIPTION: <b>FLASHING, ROOF, 18X18 ALUMINUM BASE FOR 1/2, 3/4, 1 VENT PIPE, NO BRAND NO-CALK 12-PK</b>	
CRITICAL DIMENSION FOR INSPECTION AS SHOWN	INCLUDE CU. in.	CHECKED BY: RPS DATE: 3/30/2010	SCALE 1:4 SHEET 1 OF 1
UNLESS OTHERWISE SPECIFIED, DIMENSIONS ARE IN INCHES TOLERANCES: FRACTIONS DECIMALS ANGLES ± 1/4 .XX ± .01 ± 1°	DRAWN BY: RPS DATE: 7/2/2010	CHECKED BY: RPS DATE: 7/2/2010	PART NO: G11833

11833