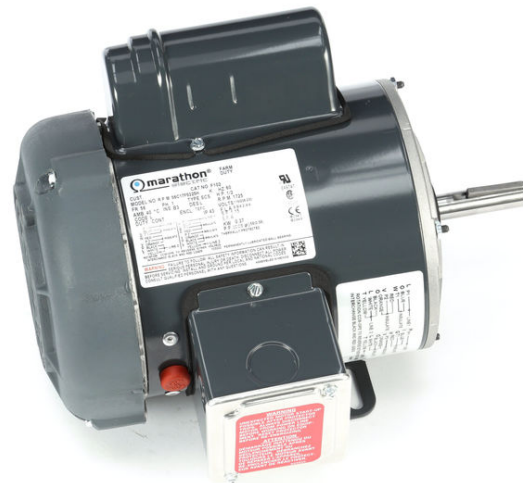


PRODUCT INFORMATION PACKET

Model No: 056C17F5325
Catalog No: F102
1/2, 1800, TEFC, 56, 1/60/115/208-230
Single Phase



Regal and Marathon are trademarks of Regal Beloit Corporation or one of its affiliated companies.
©2018 Regal Beloit Corporation, All Rights Reserved. MC017097E





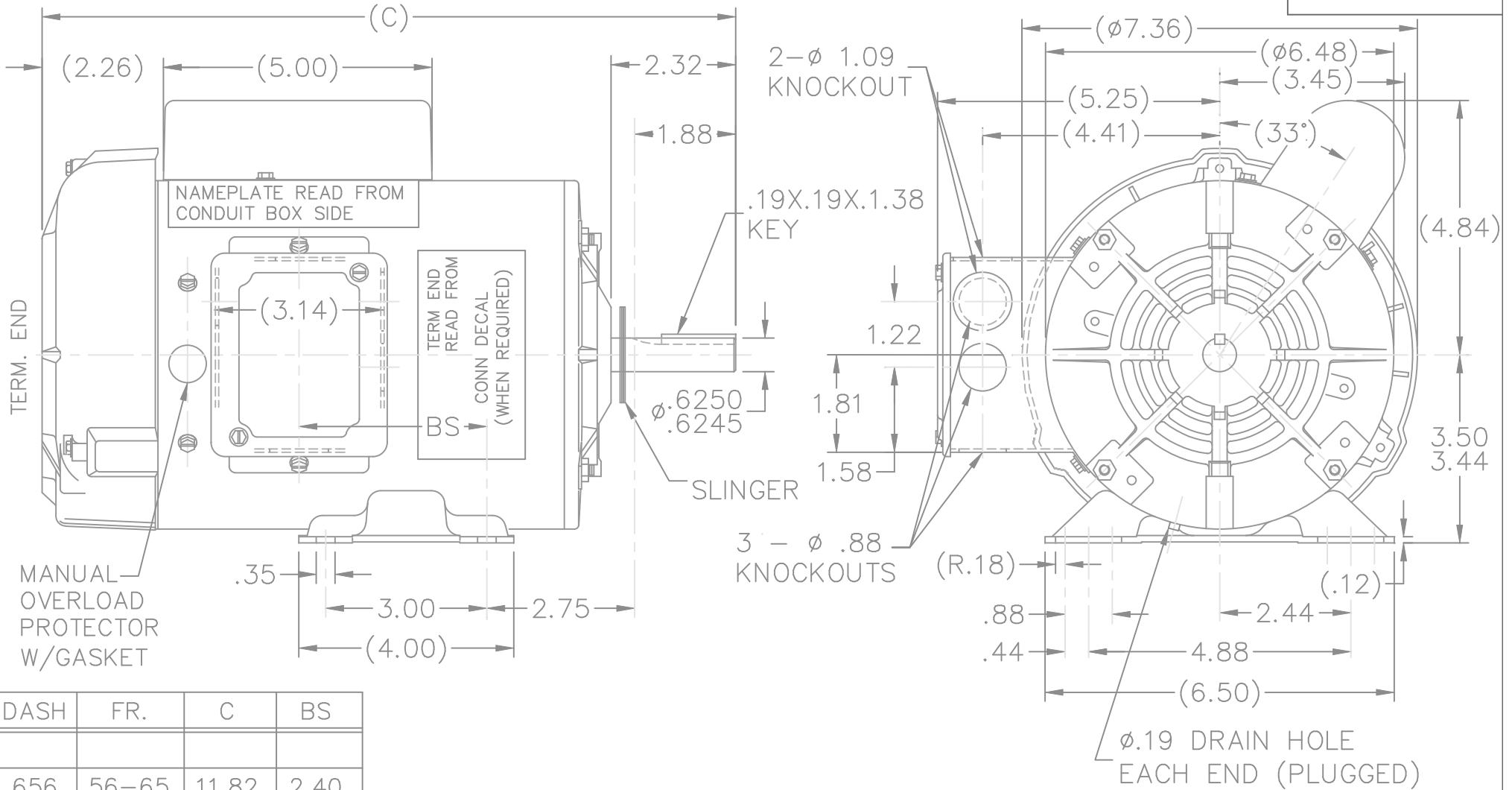
Nameplate Specifications

Output HP	0.50 Hp	Output KW	0.37 kW
Frequency	60 Hz	Voltage	115/208-230 V
Current	8.8/4.2-4.4 A	Speed	1725 rpm
Service Factor	1.15	Phase	1
Efficiency	66 %	Duty	Continuous
Insulation Class	B	Design Code	L
KVA Code	L	Frame	56
Enclosure	Totally Enclosed Fan Cooled	Overload Protector	Manual
Ambient Temperature	40 °C	Drive End Bearing Size	6203
Opp Drive End Bearing Size	6203	UL	Recognized
CSA	Y	CE	Y
IP Code	43		

Technical Specifications

Electrical Type	Capacitor Start Induction Run	Starting Method	Across The Line
Poles	4	Rotation	Selective Counterclockwise
Mounting	Rigid base	Motor Orientation	Horizontal
Drive End Bearing	Ball	Opp Drive End Bearing	Ball
Frame Material	Rolled Steel	Shaft Type	T
Overall Length	11.82 in	Frame Length	6.56 in
Shaft Diameter	0.625 in	Shaft Extension	2.32 in
Assembly/Box Mounting	F1 Only		
Outline Drawing	A-100137-656	Connection Diagram	A-102005-52

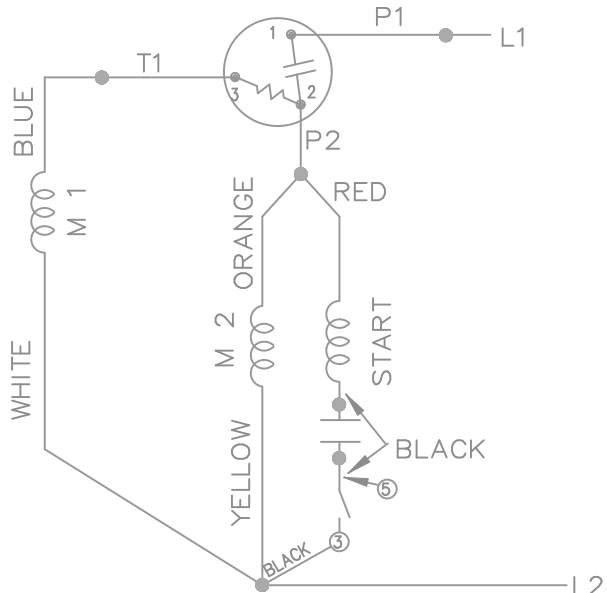
This is an uncontrolled document once printed or downloaded and is subject to change without notice. Date Created: 06/29/2018



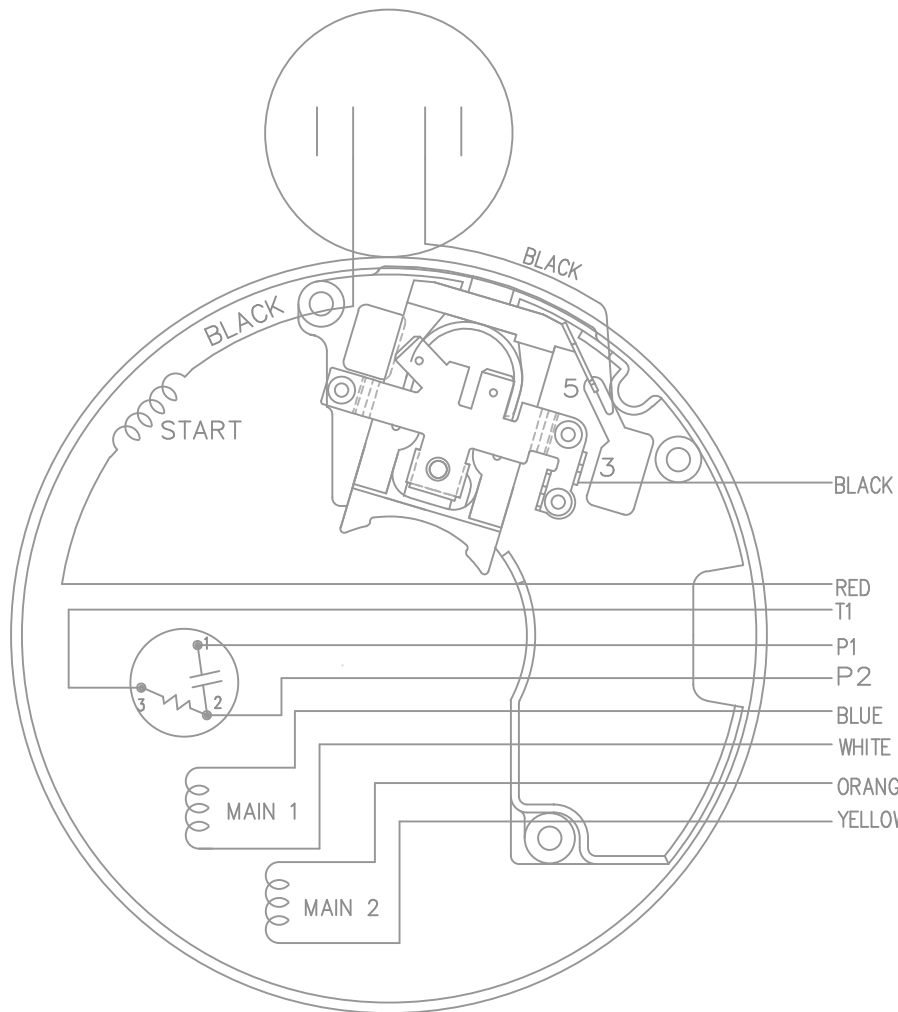
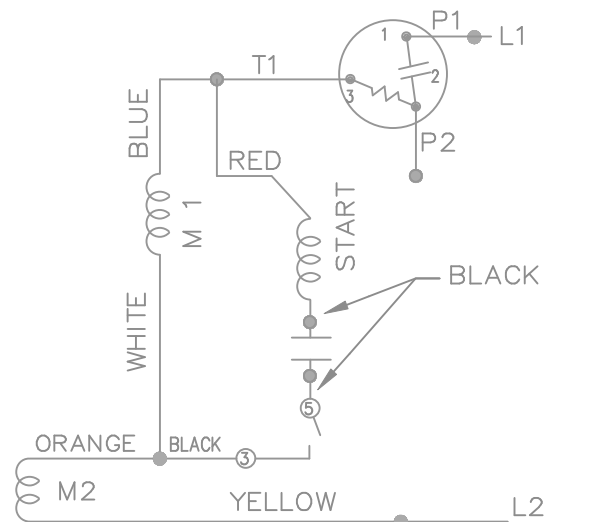
DASH	FR.	C	BS
656	56-65	11.82	2.40
706	56-70	12.32	2.90
756	56-75	12.82	3.40

				TOLERANCES UNLESS SPECIFIED			DRAWN ML 01-11-1992				
				DEC.	INCHES		CHK GK 01-12-1992				
				.X	±.1		APPD FG 01-12-1992				
				.XX	±.03		SCALE 3=8				
4	REDRAWN IN AUTOCAD	TAT 06-13-2005	ML	.XXX	±.005	TITLE OUTLINE	REF				
3	REDRAWN ON CAD, ADDED CONN. DECAL CN 13879	ML 01-12-1992		.XXXX	±.0005	56 FRAME - BB - TEFC - 1ø	FMF				
NO.	REVISION	BY & DATE	CHK	ANG	±7'30"	MAT'L.	PREV				
THIS DRAWING IN DESIGN AND DETAIL IS OUR PROPERTY AND MUST NOT BE USED EXCEPT IN CONNECTION WITH OUR WORK ALL RIGHTS OF DESIGN AND INVENTION ARE RESERVED THIS IS AN ELECTRONICALLY GENERATED DOCUMENT - DO NOT SCALE THIS PRINT				RFP		CAD FILE 100137	SIZE	DRAWING NO.	PAGE	OF	REV.
				DIST	WP		A	100137			4

LOW VOLTAGE - CCW

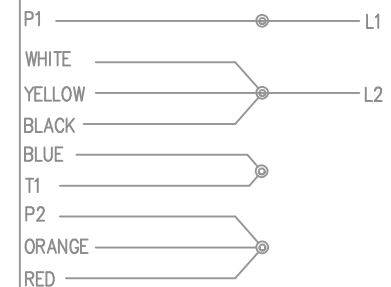


HIGH VOLTAGE - CCW

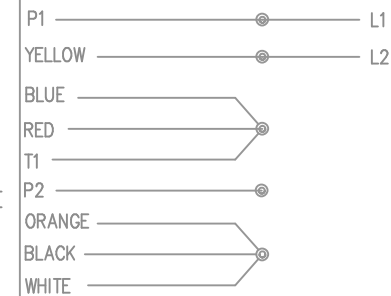


DUAL VOLTAGE
CAPACITOR START
OVERLOAD
SELECT ROTATION

LOW VOLT. CCW ROT.



HIGH VOLT. CCW ROT.



FOR CW ROTATION
EITHER VOLTAGE
INTERCHANGE RED
WITH BLACK

			TOLERANCES UNLESS SPECIFIED			DRAWN BRH 02-29-1996	
			DEC.	INCHES		CHK ML 03-06-1996	
			.X	±.1		APPD GK 03-06-1996	
			.XX	±.02		SCALE 5=8	
			.XXX	±.005		REF	
6	REISSUE	BRH 03-13-1996	.XXX	±.005	TITLE CONNECTION DIAGRAM		REF
5	REDRAWN ON CADD	BRH 03-06-1996	.XXXX	±.0005	MAT'L.		FMF
NO.	REVISION	BY & DATE	CHK	ANG	±7'30"	FINISH	PREV
THIS DRAWING IN DESIGN AND DETAIL IS OUR PROPERTY AND MUST NOT BE USED EXCEPT IN CONNECTION WITH OUR WORK ALL RIGHTS OF DESIGN AND INVENTION ARE RESERVED THIS IS AN ELECTRONICALLY GENERATED DOCUMENT - DO NOT SCALE THIS PRINT			RFP	CAD FILE 102005-52		SIZE	DRAWING NO. PAGE OF REV.
			DIST	WP			A 102005-52 6

