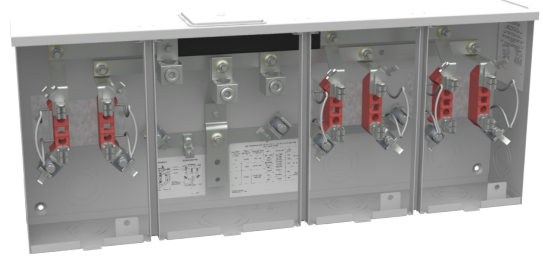




MILBANK
ENERGY AT WORK

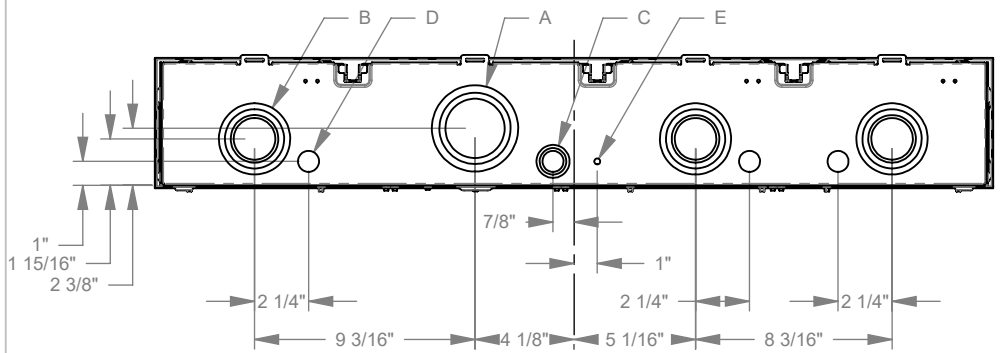
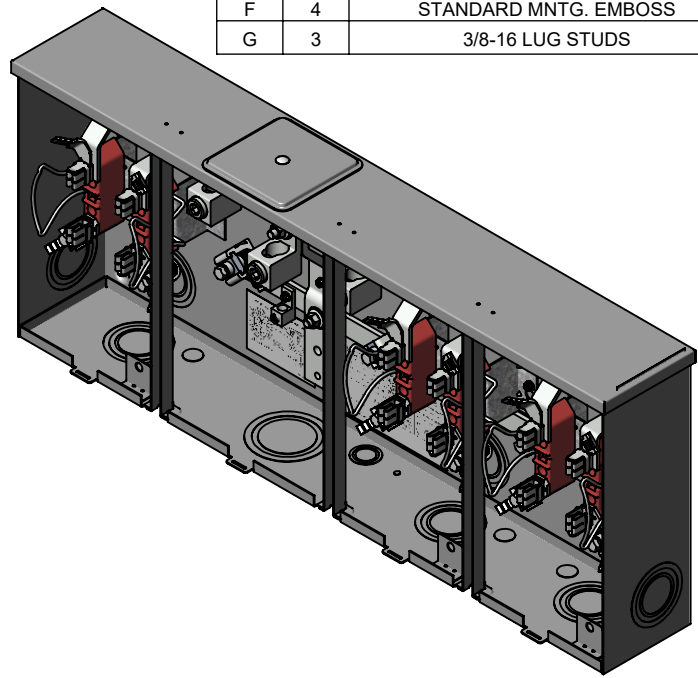
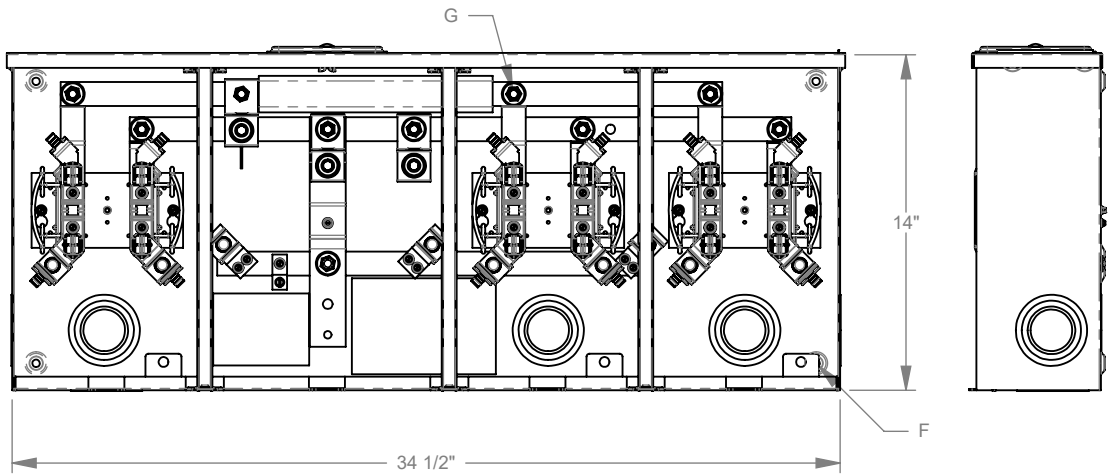
U1253-X-KK-K3-BLG



Catalog Number	U1253-X-KK-K3-BLG	Insulation	Glass Polyester
Marketing Product Description	4 Terminal Ringless Large Closing Plate Horn Bypass 3 Position Single Connector 4-600kcmil 7-8 In Barrel Lock Ground With Bracket Provision	Mounting	Surface Mount
UPC	784572241701	Enclosure	G90 Galvanized Steel with Powder Coat Finish
Length (IN)	5.125	Jaw Quantity	4 Terminal
Width (IN)	34.5	Bypass Type	Horn Bypass
Height (IN)	14	Number of Meter Positions	3 Positions
Brand Name	Milbank	Equipment Ground	Ground Lug
Type	Ringless Meter Socket	Hub Opening	Large Closing Plate
Application	Meter Socket	Line Side Wire Range	4 AWG - 600 kcmil or Two 1/0 AWG - 250 kcmil
Standard	UL Listed;Type 3R	Load Side Wire Range	6 AWG - 350 kcmil
Voltage Rating	300 Volts Alternating Current	Barrel Lock Provision	7/8 Inch Knockout and Angle Bracket For Barrel Lock Provision
Amperage Rating	200 Continuous Ampere	Number Of Receptacles	0
Phase	1 Phase		
Frequency Rating	60 Hertz		
Size	5.125L x 34.5W x 14H		
Number Of Cutouts	0		
Cutout Size	No Main Breaker		
Cable Entry	Overhead or Underground with Center Wireway		
Terminal	Single Mechanical		

Please consult serving utility for their requirements prior to ordering or installing, as specifications and approvals vary by utility and may require local electrical inspector approval. All installations must be installed by a licensed electrician and must comply with all national and local codes, laws and regulations. Milbank reserves the right to make changes in specifications and features shown without notice or obligation.

FEATURE TABLE		
ITEM	QTY	DESCRIPTION
A	1	2, 2½, 3 CONC. K.O.
B	8	1¼, 1½, 2, 2½ CONC. K.O.
C	1	½, ¾, 1 CONC. K.O.
D	3	½ SOLID K.O. (.875 DIA.)
E	1	¼ SOLID K.O.
F	4	STANDARD MNTG. EMBOSS
G	3	3/8-16 LUG STUDS



Version:

1

**All dimensions are +/- 1/16".
Drawing views are not to scale.**

Please consult serving utility for their requirements prior to ordering or installing, as specifications and approvals vary by utility, and may require local electrical inspector approval. All installations must be installed by a licensed electrician and must comply with all national and local codes, laws and regulations. Milbank reserves the right to make changes in specifications and features shown without notice or obligation.