



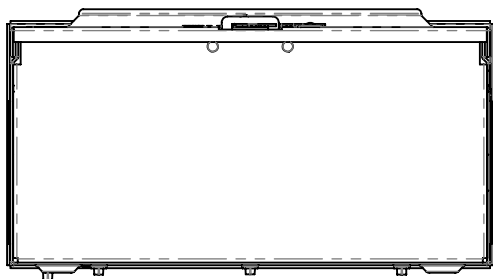
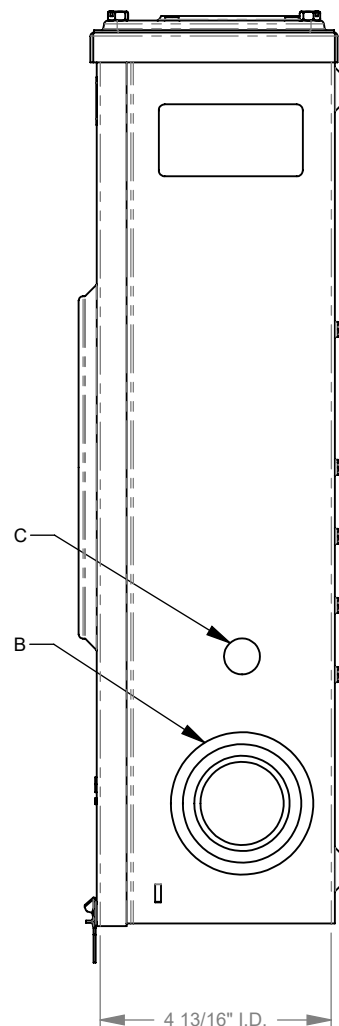
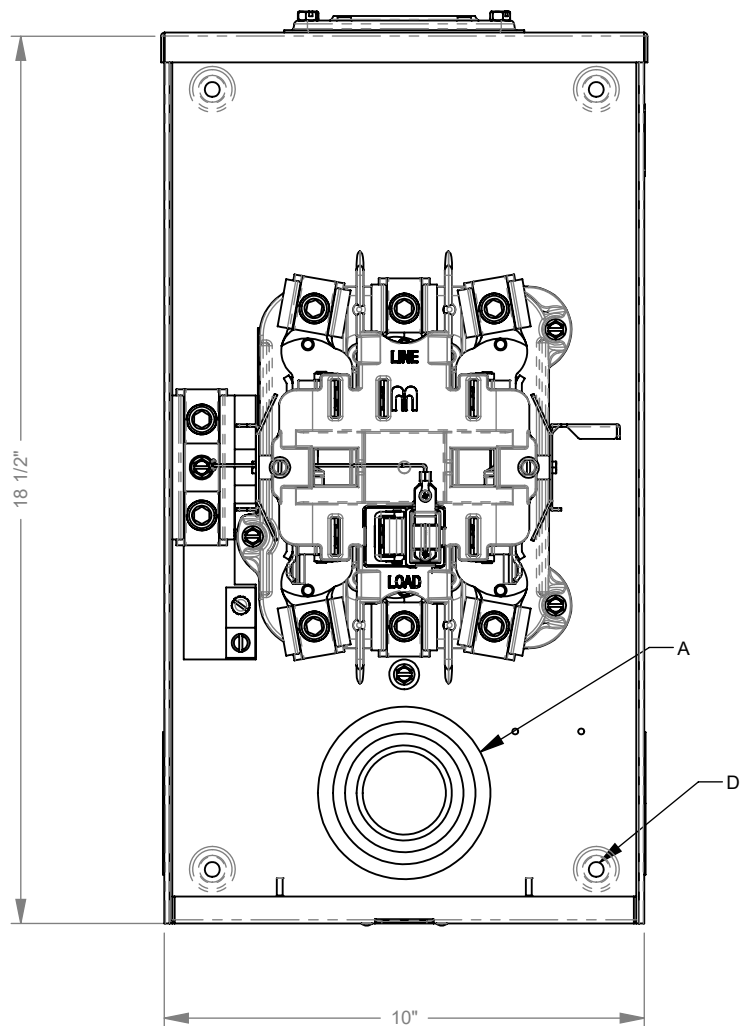
MILBANK[®]
ENERGY AT WORK

U9700-RRL-QG-HSP



Catalog Number	U9700-RRL-QG-HSP	Mounting	Surface Mount
Marketing Product Description	7 Terminal Ringless Large Hub Open Adapt To Small Hub Open Quadplex Ground Lever Bypass Stainless Steel Hasp	Enclosure	G90 Galvanized Steel with Powder Coat Finish
UPC	784572218253	Jaw Quantity	7 Terminal
Length (IN)	4.844	Bypass Type	Lever Bypass
Width (IN)	10	Number of Meter Positions	1 Position
Height (IN)	18.5	Equipment Ground	Quadplex Ground
Brand Name	Milbank	Hub Opening	Large Hub Opening Adapted to Small Hub Opening
Type	Ringless Meter Socket	Line Side Wire Range	6 AWG - 350 kcmil
Application	Meter Socket	Load Side Wire Range	6 AWG - 350 kcmil
Standard	UL Listed;Type 3R	Number Of Receptacles	0
Voltage Rating	600 Volts Alternating Current		
Amperage Rating	200 Continuous Ampere		
Phase	3 Phase		
Frequency Rating	60 Hertz		
Size	4.844L x 10W x 18.5H		
Number Of Cutouts	0		
Cutout Size	No Main Breaker		
Cable Entry	Overhead		
Terminal	Lay in		
Insulation	Glass Polyester		

Please consult serving utility for their requirements prior to ordering or installing, as specifications and approvals vary by utility and may require local electrical inspector approval. All installations must be installed by a licensed electrician and must comply with all national and local codes, laws and regulations. Milbank reserves the right to make changes in specifications and features shown without notice or obligation.



FEATURE ITEMS		
ITEM	QTY	DESCRIPTION
A	1	1 1/4", 1 1/2", 2", 2 1/2", 3" CONC. K.O.
B	2	1 1/4", 1 1/2", 2", 2 1/2" CONC. KO.
C	2	.3/4", SOLID K.O.
D	4	STUD MNTG. EMBOSS



Version:

1

**All dimensions are +/- 1/16".
Drawing views are not to scale.**

Please consult serving utility for their requirements prior to ordering or installing, as specifications and approvals vary by utility, and may require local electrical inspector approval. All installations must be installed by a licensed electrician and must comply with all national and local codes, laws and regulations. Milbank reserves the right to make changes in specifications and features shown without notice or obligation.