

# NSW-6619 / NSW-6629

## Mini LED Step Light

Source: 1W LED

19lm / 29lm

Type \_\_\_\_\_

Project \_\_\_\_\_

Catalog No. \_\_\_\_\_

Notes \_\_\_\_\_

### PRODUCT DESCRIPTION

Mini LED Step Lights use the latest technology in solid state lighting. Mini Step Lights are available with louvered or lensed face and can be easily installed in a standard single gang switch box. Louvered unit includes both a horizontal and vertical louver. Use in hallways entrances, stairways, wall bases or any indoor application requiring a low profile, recessed fixture.

### FEATURES

- Internal brackets for installation hardware.
- cULus Listed for Wet locations.
- Heavy duty, low profile aesthetic louver trim.
- 90+ CRI
- AC LED (no driver)

### SPECIFICATION

**LED Source:** Standard mini step lights offer a total load of 1W.

**Installation:** Easily installs in a standard single gang switch box.

**Housing:** Sturdy galvanized steel construction.

**Face Plate:** Lensed face plate includes tempered glass and louvered face plate includes a horizontal and vertical louver.

### ELECTRICAL

**Voltage:** 120VAC

**Color Temperature:** 3000K

**CRI:** 90+ CRI

**Lumens / Wattage:** NSW-6619 = 19lm / 1W  
NSW-6629 = 29lm / 1W

**Life Expectancy:** 30,000 hours at L70

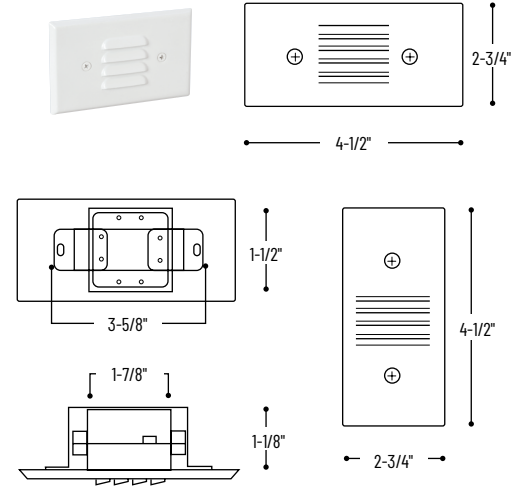
**Dimming:** Non-Dimmable

### LISTINGS AND WARRANTY

- cULus Listed for Wet Location
- 5-Year Limited Warranty

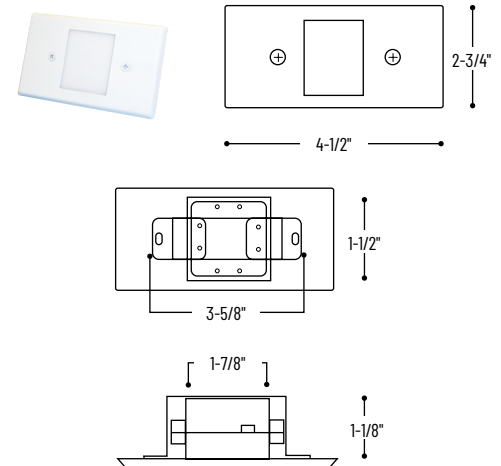


### PRODUCT IMAGES AND DIMENSIONS



#### NSW-6619

Mini LED Step Light, Louver with Lens



#### NSW-6629

Mini LED Step Light, Lens

## Mini LED Step Light

Catalog No. \_\_\_\_\_

Finish \_\_\_\_\_

**NSW-6619** = Louver Face Plate (includes Horizontal and Vertical)

**NSW-6629** = Lens Face Plate

**BN** = Brushed Nickel

**BZ** = Bronze

**W** = White

Example: **NSW-6619BN** = Mini LED Step Light with Louvered Face Plate, Brushed Nickel finish