

Rough-In Speaker Housing

MODEL: IR-55

For use with all NuTone recessed,
cast patio speakers.

LOCATION

1. Locate speaker housing at a convenient operating height – approximately 4-1/2 feet above the floor.
2. For mounting purposes, locate speaker next to a wall stud.
3. To avoid feedback, do not locate any speaker and/or Master Station housing back to back or in a common wall between rooms.

MOUNTING

To accommodate the speaker panel, allow a minimum clearance, on all sides of rough-in housing, of two inches (2"). Wall depth required: 2-3/4" minimum.

The IR-55 must be mounted in the vertical position, as shown in the illustration.

New Construction

1. Position housing against wall stud as shown in Figure 1.
2. See Figure 1. Use wood screws to secure housing to wall stud.

NOTE TO INSTALLER: When outside wall surface is installed, make sure location of housing is clearly marked.

Existing Construction

Mounting Directly to Wall Stud

1. Locate housing right next to wall stud.
2. Make sure area behind wall where housing will be located is free of obstructions.
3. See Figure 2. Use the housing as a template for marking the required cutout. Place the housing against the wall at the desired location. Make a line around the back edge of the housing.
4. Make the cutout next to the wall stud. Carefully cut along the inside of the marked line.
5. Insert housing into cutout. Use wood screws to secure housing to wall stud. **NOTE: In existing construction, use the four (4) mounting holes located in each corner of the speaker housing as illustrated in Figure 2.**

Mounting Between Wall Studs

1. Determine frame location between wall studs. Be certain area behind wall is free from obstruction.
2. Use the housing as a template as illustrated in Figure 2. Place the housing against the wall at the required location.
3. Make the cutout. Carefully cut along the inside of the marked line.
4. Insert housing into cutout. Use wood screws to secure housing to wall stud. **NOTE: In existing construction, use the four (4) mounting holes located in each corner of the speaker housing as illustrated in Figure 2.**

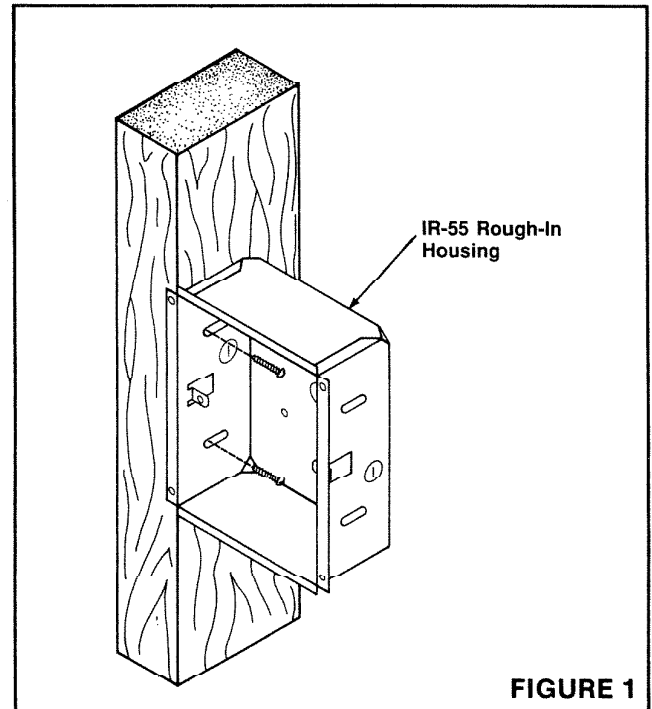


FIGURE 1

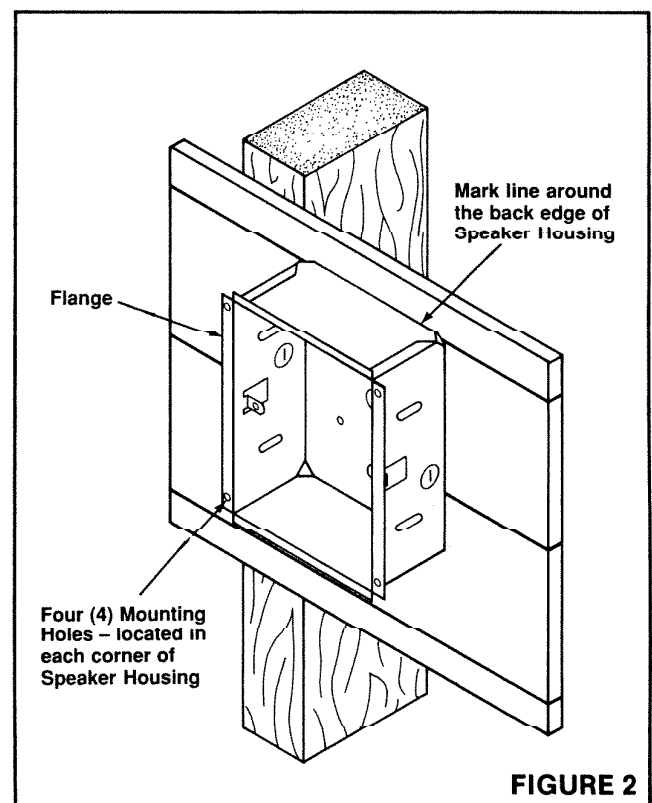


FIGURE 2

Masonry Construction

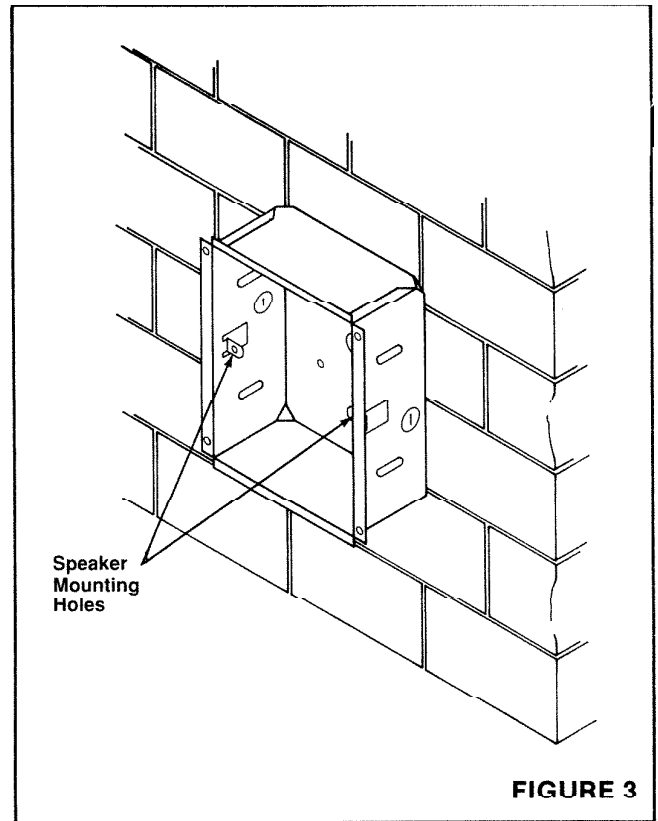
Refer to Figure 3.

1. Cutout should be 5-3/8" wide x 7-3/16" high.
2. Run wiring into rough-in housing.
3. Grout in place; be certain the speaker mounting holes are clear and accessible for speaker installation.

WIRING

1. The wiring (and IR-55) should be installed when the intercom system is roughed-in. Leave sufficient wire (at least 1 foot) for connection to speaker.
2. Run wire from speaker location to master unit location. Use wire specified for the system being installed – see installation instructions provided with the Master Unit Rough-In.

IMPORTANT: Use only NuTone specified wire. See Master Unit installation instructions for complete system installation.



Product specifications subject to change without notice.

NuTone

Madison and Red Bank Roads, Cincinnati, Ohio 45227
Printed in U.S.A. 10/90, Part No. 36341