

DESCRIPTION

- 56" commercial ceiling fan
- Recirculates trapped ceiling heat
- 3 contoured metal blades maximize air movement
- 6" down rod included, additional lengths sold separately

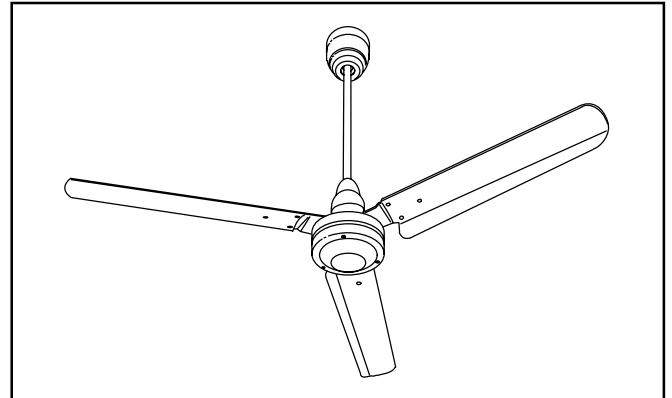
CFC56 Series Ceiling Fans

MODELS CFC56WH, CFC56BR



BLADE ARM PITCH

Model	Angle
CFC56WH	5°
CFC56BR	5°



PERFORMANCE —

Model	RPM	CFM
CFC56WH	179	6118
CFC56BR	179	6118

ELECTRICAL RATINGS _____

Model	Volts	Hz	Fan Watts	Amps (without light)
CFC56WH	120	60	64.4	0.6
CFC56BR	120	60	64.4	0.6

Broan-NuTone LLC Hartford, Wisconsin www.nutone.com 888-336-3948

REFERENCE	QTY.	REMARKS	Project
			Location
			Architect
			Engineer
			Contractor
			Submitted by Date