

OAC Series Pushbutton Stations and Heavy Duty Selector Switches

**600 VAC Standard
Factory Sealed†**

Cl. I, Div. 1 & 2, Groups A, B, C, D
Cl. II, Div. 1, Groups E, F, G
Cl. II, Div. 2, Groups F, G
Cl. III
NEMA 3, 4, 7ABCD, 9EFG, 12

Explosionproof
Dust-Ignitionproof
Raintight
Wet Locations
Watertight

4C

Applications:

OAC Units are used:

- In areas which are hazardous due to the presence of flammable vapors, gases or highly combustible dusts
- In damp, wet or corrosive locations
- Indoors or outdoors at petroleum refineries, chemical and petrochemical plants and other process industry facilities where similar hazards exist
- In areas which are hazardous due to the presence of acetylene and hydrogen, or gases or vapors of equivalent hazard such as manufactured gas
- In conjunction with magnetic starters or contactors for remote control of motors

Features:

- Water-shedding construction with female threaded bottom opening and male threaded cover
- Threaded cover is deep dome type, which surrounds the enclosed device
- All enclosures are suitable for hazardous area use
- Pushbutton stations have a guarded rocker type operating handle at the front arranged for padlocking to prevent unauthorized operation
- Selector switches have a lever type operating handle at the top
- Provided with vertical through feed conduit hubs of sizes indicated in the listings
- Units are factory sealed for Cl. I, Div. 1 and 2, Groups B, C, D
- Standard lockout on selector switches. Locks two or three-position switch handle in any position.

Standard Materials:

- Bodies – *Feraloy*® iron alloy
- Covers and operating handle – copper-free aluminum
- Operating shafts – stainless steel

Standard Finishes:

- *Feraloy* iron alloy – electrogalvanized and aluminum acrylic paint
- Copper-free aluminum – natural
- Stainless steel – natural

Certifications and Complies:

- NEC/CEC
Class I, Division 1 & 2, Groups A, B, C, D
Class II, Division 1, Groups E, F, G
Class II, Division 2, Groups F, G
Class III
- NEMA/EEMAC: 3, 4, 7ABCD, 9EFG, 12
- UL Standard: 1203
- CSA Standard: C22.2 No. 30



Electrical Rating Ranges:

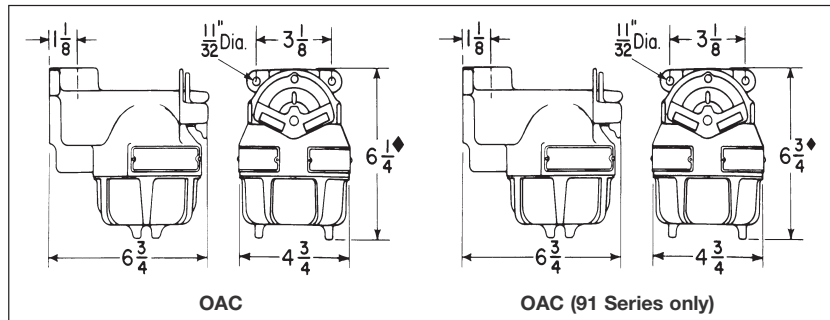
- Pushbutton stations, and selector switches - Air Break – heavy duty 600VAC maximum

Options:

The following special options are available from factory by adding suffix to Cat. #:

Description	Suffix
Back boss drilled and tapped for 3/4" and 1" sizes.....	Specify
Three-position selector switches with modified operation:	
Momentary contact clockwise operation, spring return to center,	
maintained contact counter-clockwise operation.....	S634
Momentary contact counter-clockwise operation, spring return to center,	
maintained contact clockwise operation.....	S635

Dimensions In Inches*:



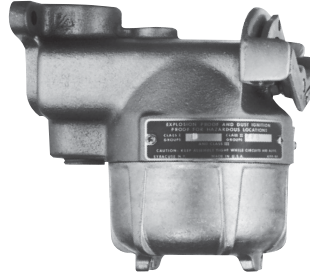
†Factory sealed for Class I, Div. 1 & 2, Groups B, C, D.

*Dimensions are approximate, not for construction purposes. For cover removal, add 2 1/2" to dimension.

4C OAC Series Pushbutton Stations and Heavy Duty Selector Switches

600 VAC Standard
Factory Sealed†

Cl. I, Div. 1 & 2, Groups A, B, C, D Explosionproof
Cl. II, Div. 1, Groups E, F, G Dust-Ignitionproof
Cl. II, Div. 2, Groups F, G Raintight
Cl. III Wet Locations
NEMA 3, 4, 7ABCD, 9EFG, 12 Watertight



4C

Ordering Information - Pushbutton Stations

Normal Pos.	1 Circuit Universal	2 Circuits Universal	2 Circuits Universal	2 Circuits*
Oper. Handles	Single	Double	Single Operating Both Buttons	Double
Replacement Pushbuttons Diagram	ED21 	ED22 	ED22 	ED22*
Hub Size	Cat. #	Cat. #	Cat. #	Cat. #
3/4	OAC2101 ①	OAC2133 ①	OAC2139 ①	OAC2103 ①
1	OAC3101 ①	OAC3133 ①	OAC3139 ①	OAC3103 ①

① If desired, markings on indicating plates may be added to catalog number. Select from the list of standard markings below:

START	OFF	RESET	LIGHT ON
STOP	RUN	TRIP	HAND
ON	JOG	TEST	AUTOMATIC
EMERGENCY	OPEN	DOWN	RAISE
FORWARD	CLOSE	IN	LOWER
REVERSE	UP	OUT	

†Factory sealed for Class I, Div. 1 & 2, Groups B, C, D

*Two universal contact blocks, must be wired as two circuits, one normally open and one normally closed.

With momentary left handle and maintained right handle. For momentary "START", maintained "STOP" and similar applications.

Normal Pos.	2 Circuit Universal
Diagram	

Enclosure with Pushbuttons Hub Size	Cat. #
3/4	OAC2291 ①
1	OAC3291 ①

OAC Series Pushbutton Stations and Heavy Duty Selector Switches

600 VAC Standard
Factory Sealed†

Cl. I, Div. 1 & 2, Groups A, B, C, D
Cl. II, Div. 1, Groups E, F, G
Cl. II, Div. 2, Groups F, G
Cl. III
NEMA 3, 4, 7ABCD, 9EFG, 12

Explosionproof
Dust-Ignitionproof
Raintight
Wet Locations
Watertight

4C

Ordering Information - Selector Switches

Style	Position 1	Position 2	Position 3	Replacement Contact Blocks*	Enclosure with Selector Switch		
					Hub Size	Cat. #	
Two-Position, Two-Circuit	A1			ED21	3/4	OAC2471 ①	
	A2					OAC3471 ①	
Two-Position, Four-Circuit	A1			ED22	3/4	OAC2472 ①	
	A2					OAC3472 ①	
	B1						
	B2						
Three-Position, Two-Circuit ‡	A1			ED21	3/4	OAC2473 ①	
	A2					OAC3473 ①	
Three-Position, Four-Circuit ‡	A1			ED22	3/4	OAC2474 ①	
	A2					OAC3474 ①	
	B1						
	B2						
Three-Position, Four-Circuit ‡	A1			ED22	3/4	OAC2475 ①	
	A2					OAC3475 ①	
	B1						
	B2						



OAC Selector Switches are furnished with pushbutton contact blocks, cam actuated by a maintained contact selector mechanism to operate in the sequences shown in the diagrams below.

4C

① If desired, markings on indicating plates may be added to catalog number. Select from the list of standard plates below:

Two-Position

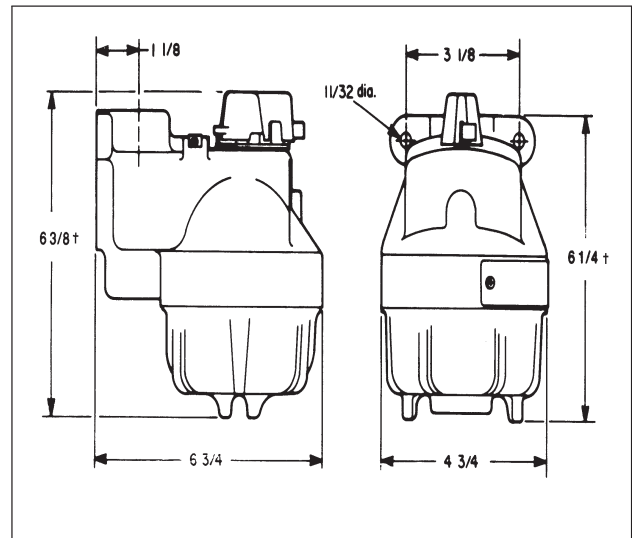
RUN, JOG	FAST, SLOW	IN-OUT
HAND, AUTOMATIC	OPEN, CLOSE	RAISE-LOWER
FORWARD, REVERSE	UP, DOWN	START-STOP
	ON, OFF	

Three-Position

RUN, OFF, JOG	1, OFF, 2
HAND, OFF, AUTOMATIC	OPEN, OFF, CLOSE
FORWARD, OFF, REVERSE	UP, OFF, DOWN
FAST, OFF, SLOW	

Dimensions*

In Inches:



†Factory sealed for Class I, Div. 1 & 2, Groups B, C, D

‡ Suffixes S634 or S635 may be used on these catalog numbers. See page 567 of explanation of options.

*Dimensions are approximate. Not for construction purposes. For cover removal, add 2 1/2" to dimension.