

## SPECIFICATION & FEATURES

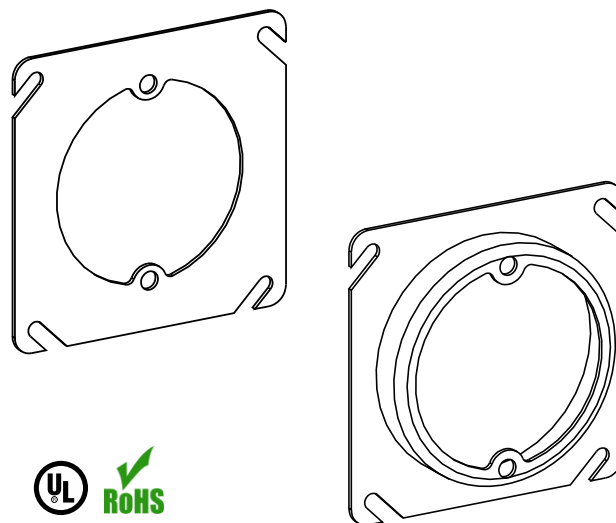
### 4" SQUARE (4S) COVERS FLAT OR DRAWN

#### DESCRIPTION:

Orbit Industries' 4" Square (4S) Covers are used to cover and protect wires inside the box. They are constructed from 16 gauge galvanized steel. Selections include flat covers with various knockouts or raised covers for a range of lighting fixtures and other devices.

#### CERTIFICATION:

UL file E227970, conforms to UL514A. acceptable for use in 2-hour fire rated walls.



#### FEATURES

**K:** 1/2" K.O.

**MKO:** Moon K.O. (1/2" and 3/4" K.O.)

**050:** Raised 1/2"

**058:** Raised 5/8"

**075:** Raised 3/4"

**100:** Raised 1"

**125:** Raised 1-1/4"

**150:** Raised 1-1/2"

**200:** Raised 2"

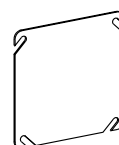
#### DIMENSIONS

**Width:** 4"

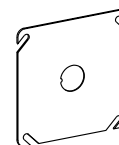
**Height:** 4"

#### CONFIGURATION DATA

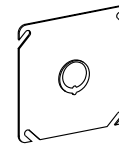
Catalog No.	Description	Cu.In	Std. Pkg.
4BC	Flat, Blank	-	50
4BCK	Flat, 1/2" KO	-	50
4BC-MKO	Flat, MKO	-	50
43000	Flat, Open, Ears 2-3/4" O.C.	-	50
43050	Raised 1/2", Open, Ears 2-3/4" O.C.	3.0	50
43058	Raised 5/8", Open, Ears 2-3/4" O.C.	4.0	50
43075	Raised 3/4", Open, Ears 2-3/4" O.C.	5.0	50
43100	Raised 1", Open, Ears 2-3/4" O.C.	6.8	25
43125	Raised 1-1/4", Open, Ears 2-3/4" O.C.	8.5	25
43150	Raised 1-1/2", Open, Ears 2-3/4" O.C.	9.7	25
43200	Raised 2", Open, Ears 2-3/4" O.C.	12.9	25



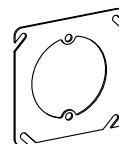
4BC



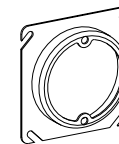
4BCK



4BC-MKO



43000



43050  
43058  
43075  
43100  
43125  
43150  
43200

