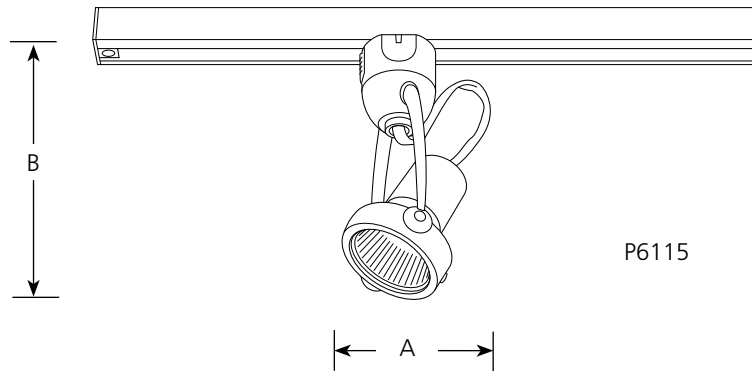


Type	-09	-09WB
P6115		<input type="checkbox"/>
P6116	<input type="checkbox"/>	
P6117	<input type="checkbox"/>	
P6118	<input type="checkbox"/>	

Catalog No.	Finish		Lamping	Dimensions (Inches)	
	Brushed Nickel			A	B
P6115	-09WB		1-120v 50w MR16	2-7/8	5-1/4
P6116	-09		1-50w PAR20	3-5/8	6-7/8
P6117	-09		1-75w PAR30	4-5/8	8
P6118	-09		1-150w PAR38	5-3/4	8-1/2



**Specifications:**

General

- Modern Gimbal ring style
- P6115 only is supplied with a 120v - 50 watt MR16 lamp
- Polarity oriented
- Quarter turn locking action
- Tab lock to prevent accidental removal
- Plated Brushed Nickel finish
- Die cast aluminum construction

Mounting

- For use on Track-1 (P6200 series), or Alpha (P9100 series) track
- See current Progress catalog for track and accessories

Electrical

- P6115 has a GU10 based lamp, all others have ceramic medium based sockets
- Pre-wired, assembled and ready to install on the track

Labeling

- UL-CUL listed