

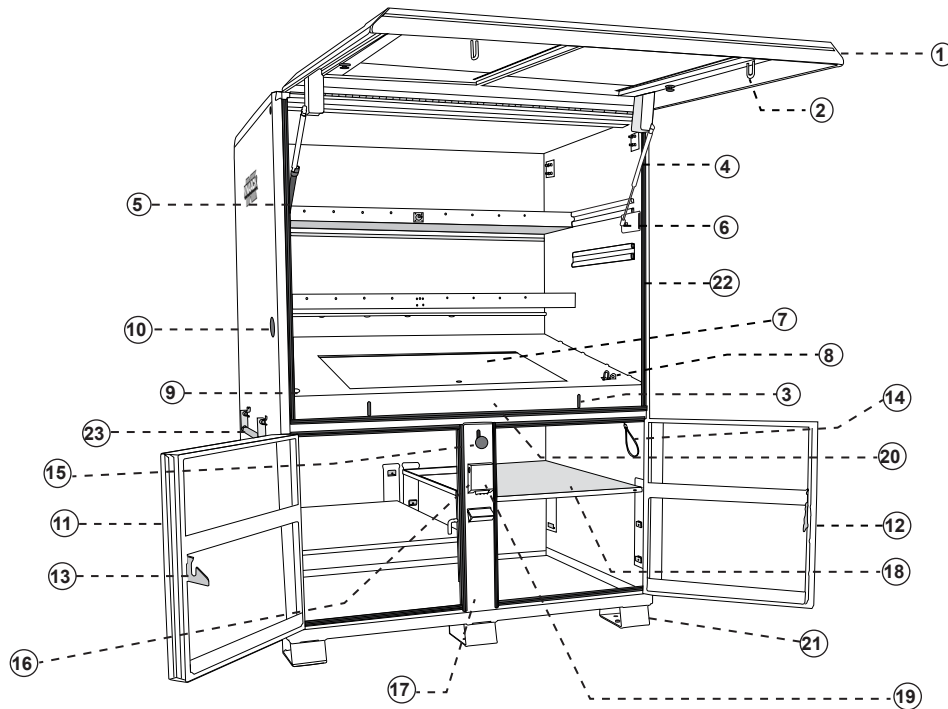


JOBSITE STORAGE SOLUTIONS

FOR REPLACEMENT PARTS GO TO WWW.KNAACK.COM

REPLACEMENT PARTS

Portable Field Station Model 119-01



***NOTE: WELDING REQUIRED ON SOME REPLACEMENT PARTS.** The Parts noted require welding and some touchup paint over newly welded areas. Knaack LLC assumes no legal responsibility for any welding done outside the factory. All warranties will be voided.

119-01 Replacement Parts

Upper		
Item	Part No.	Description
1	70001	REPLACEMENT, DOOR TOP 119-01
2	7106-1PK	KIT, STRIKER/PLATE 114
3	70004	REPLACEMENT, ROTARY LATCH 119-01
4	977-2PK	GAS SPRING, (2 PK) KN
5	70178	REPLACEMENT, LOCKING GAS SPRING 119-01
6	921-4PK	BALL STUDS & NUTS
7	70179	REPLACEMENT, HATCH 119-01
8	70180	REPLACEMENT, HATCH LOCK ROD 119-01
9	70181	REPLACEMENT, GROMMET SHELF 119-01
10	70030-1PK	PLUG/GROMMET,1 PACK

Lower		
Item	Part No.	Description
11	70176	REPLACEMENT, DOOR LEFT 119-01
12	70175	REPLACEMENT, DOOR RIGHT 119-01
13	70040*	REPLACEMENT DOOR CATCH 99
14	70182	REPLACEMENT, CABLE DOOR 119-01
15	70141	KNOB, LIFT LEVER
16	70183	REPLACEMENT, LINKAGE ROD 119-01
17	70174*	REPLACEMENT, CENTER POST 119-01
18	70185	REPLACEMENT, ADJUSTABLE SHELF 119-01
19	70119	WATCHMAN V LOCK SYSTEM PARTS
20	70184	REPLACEMENT, LATCH ROD - TOP DOOR 119-01

Overall		
Item	Part No.	Description
21	70177*	REPLACEMENT, SKID 119-01
22	70186	REPLACEMENT, WEATHERSTRIP 119-01

Overall		
Item	Part No.	Description
23	7128*	HANDLE PIPE ASSEMBLY
24	953-1CN	TAN TOUCH-UP(AEROSOL)KN