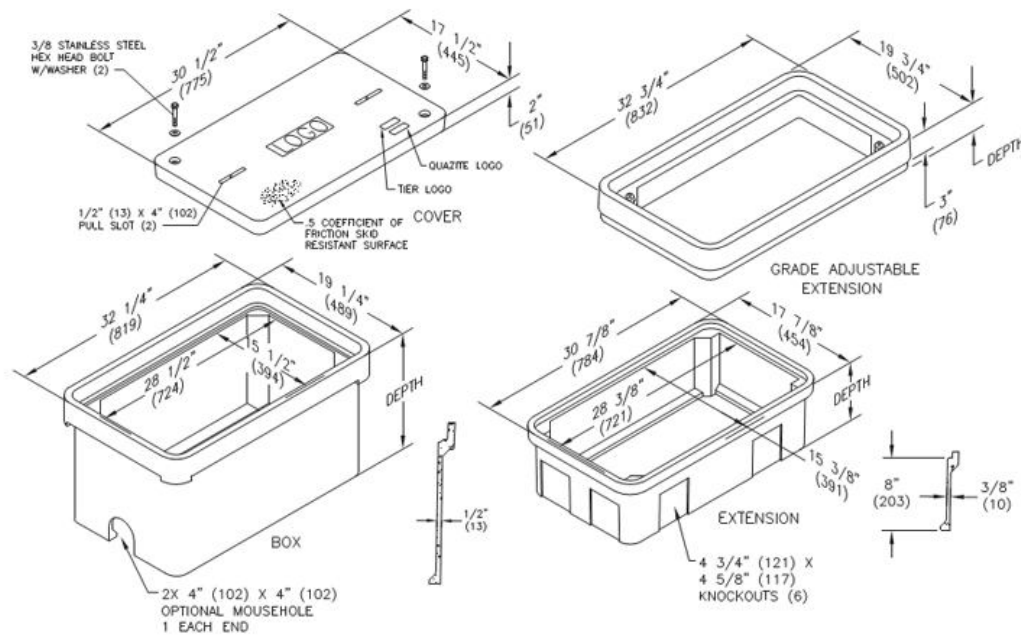


**17" x 30" PG Style Polymer Concrete (Stackable) Assembly**

**Hex Head Bolts are Standard**



**Covers**

DESCRIPTION	TIER	DESIGN/TEST LOAD#	WEIGHT #	PALLET QTY	PART NO.
W/2 Bolts	8	8,000 / 12,000	52	20	PG1730CA00**
W/2 Bolts	15	15,000 / 22,500	83	20	PG1730HA00**
W/2 Bolts	22	22,500 / 33,750	83	20	PG1730HH00**
No Bolts	8	8,000 / 12,000	52	20	PG1730WA00**

To order gasketed covers, replace the letter "A" with the letter "G".

Replace \*\* with a logo code (Click Here)

NOTE: Gasketed covers and bolt grommets must be used with a gasketed box. Gaskets reduce the inflow of fluids but do not make the enclosure water tight.

**Boxes (Box depths 22" thru 30" must be used as bottom of any stack)**

DESCRIPTION	DEPTH	TIER	DESIGN/TEST LOAD#	WEIGHT #	PALLET QTY	PART NO.
Standard Open Bottom	12"	22	22,500 / 33,750	67	10	PG1730BA12
	18"		22,500 / 33,750	94	8	PG1730BA18
	22"		22,500 / 33,750	106	6	PG1730BA22
	24"		22,500 / 33,750	122	6	PG1730BA24
	30"		22,500 / 33,750	144	4	PG1730BA30
Solid Bottom	12 1/2"	22	22,500 / 33,750	85	10	PG1730DA12
	18 1/2"		22,500 / 33,750	112	8	PG1730DA18
	22 1/2"		22,500 / 33,750	124	6	PG1730DA22
	24 1/2"		22,500 / 33,750	137	6	PG1730DA24
	30 1/2"		22,500 / 33,750	150	4	PG1730DA30

To order boxes with 2 standard mouseholes, replace the letter "A" with the letter "B".

To order gasketed boxes, replace the letter "A" with the letter "G".

NOTE: Gasketed cover and bolt grommets must be used with a gasketed box. Gaskets reduce the inflow of fluids but do not make the enclosure water tight.

**Bottom Extensions (for use under 12" and 18" boxes only, one per box)**

DESCRIPTION	DEPTH	TIER	DESIGN/TEST LOAD#	WEIGHT #	PALLET QTY	PART NO.
Open bottom	8 3/4"	22	22,500 / 33,750	36	12	PG1730EA08
Solid Bottom	9 1/4"	22	22,500 / 33,750	55	12	PG1730RA08

Solid Bottom	9 1/4"	22	22,500 / 33,750	55	12	PG1730RA08
--------------	--------	----	-----------------	----	----	------------

**Grade Adjustable Extension (for use on top of box only, one per box)**

DESCRIPTION	DEPTH	TIER	DESIGN/TEST LOAD#	WEIGHT #	PALLET QTY	PART NO.
3" Top extension	5 1/8"	22	22,500 / 33,750	48	12	PG1730ED03