

16 Series Taper Nose In-Line Panel Receptacles
Rated: 600V, up to 400A continuous current using 4/0 cable with 90° C insulation, SCCR: 35kA

18 Series Ball Nose In-Line Panel Receptacles
Rated: 600V, up to 400A continuous current using 4/0 cable with 90° C insulation, SCCR: 35kA



⚠ WARNINGS AND CAUTIONS **ENGLISH**

- TO AVOID FIRE, SHOCK OR DEATH, TURN OFF POWER AT CIRCUIT BREAKER OR FUSE AND TEST THAT THE POWER IS OFF BEFORE WIRING!
- TO BE INSTALLED AND/OR USED IN ACCORDANCE WITH ELECTRICAL CODES AND REGULATIONS.
- IF YOU ARE NOT SURE ABOUT ANY PART OF THESE INSTRUCTIONS, CONSULT AN ELECTRICIAN.
- USE "CU" CABLE ONLY. DO NOT EXCEED RATED CABLE AMPACITY FOR CORRESPONDING CABLE SIZE. ACCEPTABLE CORD TYPES INCLUDE; SC, SCE, SCT, OR TYPE "W".
- FEMALE CONTACTS FOR TAPER NOSE AND BALL NOSE DEVICES ARE **NOT** INTERCHANGABLE. TAPER NOSE ASSEMBLIES WILL **NOT** MATE PROPERLY WITH BALL NOSE ASSEMBLIES.

PK-93680-10-02-0D

FEATURES

- **Interchangeable and compatible with competitive same nose cam-type products** - can be retrofitted to existing locations and power distribution systems.
- **Shatter and crack proof** - high durometer thermoplastic elastomer (TPE) sleeve.
- **Color coded insulating sleeves** - fast and easy phase identification.
- **Self-compensating for wear** - slit and cam in male contact provide spring action for longer usage.
- **Fast connect/disconnect** - twist and pull provided by double cam male and guide boss in female.
- **High conductivity** - positive, vibration proof connection provided by double cam design.
- **Wide variety of applications** - usable with a wide range of cable sizes and amperage ratings.
- **The 16 and 18 Series meet NEC Code, are UL listed and CSA Certified.**
- **The 16 Series is rainproof - NEMA Type 3R enclosure rating for outdoor use.**

HARDWARE NEEDED

TERMINATION

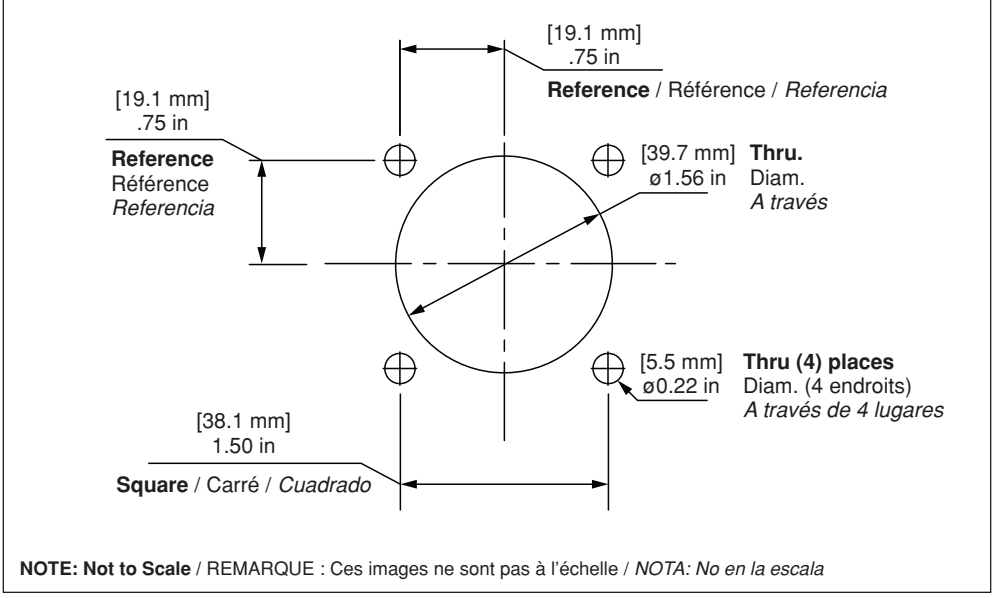
Half-Round	Threaded stud	Set Screw
(1) Compression Lug or Bussbar †	(1) Compression Lug †	(1) Strain Relief Wire *
(1) 1/4-20 UNC Bolt †	(1) 1/2" Flat Washer †	(2) Hex Head Socket Set Screw(s) *
(1) 1/4" Flat Washer †	(1) 1/2-13 UNC Hex Nut †	(1 or 2) Copper Shim(s) *
(1) 1/4-20 UNC Hex Nut †	(1) 1/2 Lock Washer †	
(1) 1/4" Lock Washer †		

MOUNTING

Panel Receptacles	Panel Receptacles with Threaded Inserts
(4) #10-24 Bolts †	(4) #10-32 UNC Bolts †
(4) #10-24 Lock Washers †	
(4) #10-24 Nuts †	

* Provided
† NOT Provided

PANEL CUTOUT / GABARIT DE FIXATION / CORTE DE PANEL



INSTALLATION

WARNING: TO AVOID FIRE, SHOCK OR DEATH, TURN OFF POWER AT CIRCUIT BREAKER OR FUSE AND TEST THAT THE POWER IS OFF BEFORE WIRING!
NOTE: Use the Allowable Device Ampacity Chart to select the correct cable size for the application. NOTE: 16 Series devices shown in diagrams.

ALLOWABLE DEVICE AMPACITY CHART / TABLEAU DES COURANTS ADMISSIBLES / CUADRO DE AMPERAJE PERMITIDO PARA EL PRODUCTO

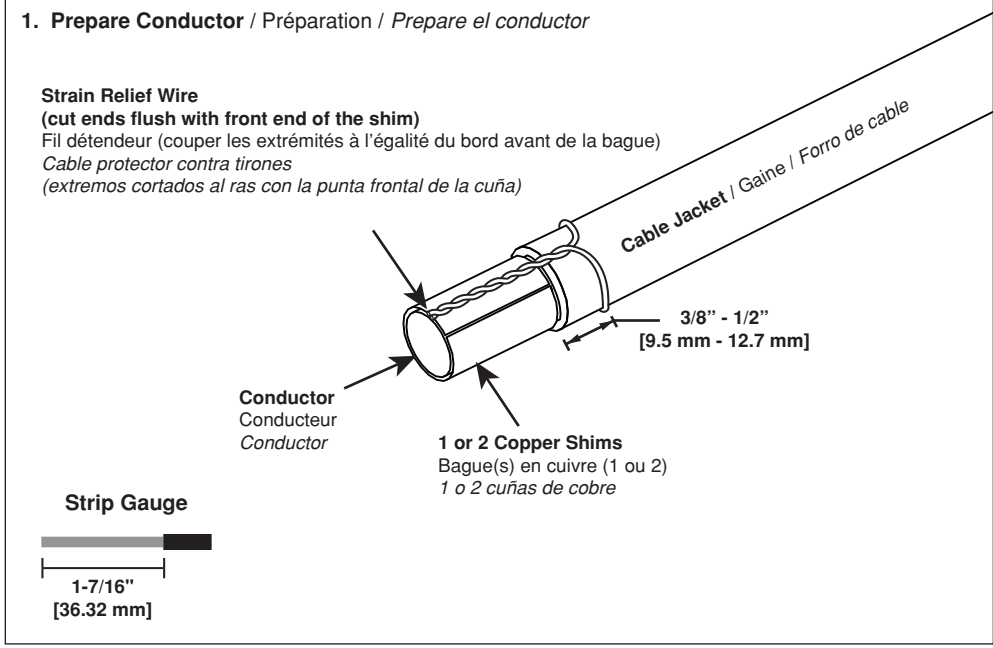
Cable Size AWG / Calibre de Cable (AWG) / Tamaño del Cable (AWG)	75° C. Cable / Câble à isolant résistant à 75° C / Cable de 75° C.	90° C. Cable / Câble à isolant résistant à 90° C / Cable de 90° C.
#2	170	190
#1	195	220
1/0	230	260
2/0	265	300
3/0	310	350
4/0	360	400

NOTE: Receptacles may be safely mounted directly to steel panels. For this application, mounting screws shall not exceed 3/4" in length and lug shall be positioned so that it is not directly over the ends of the screws.

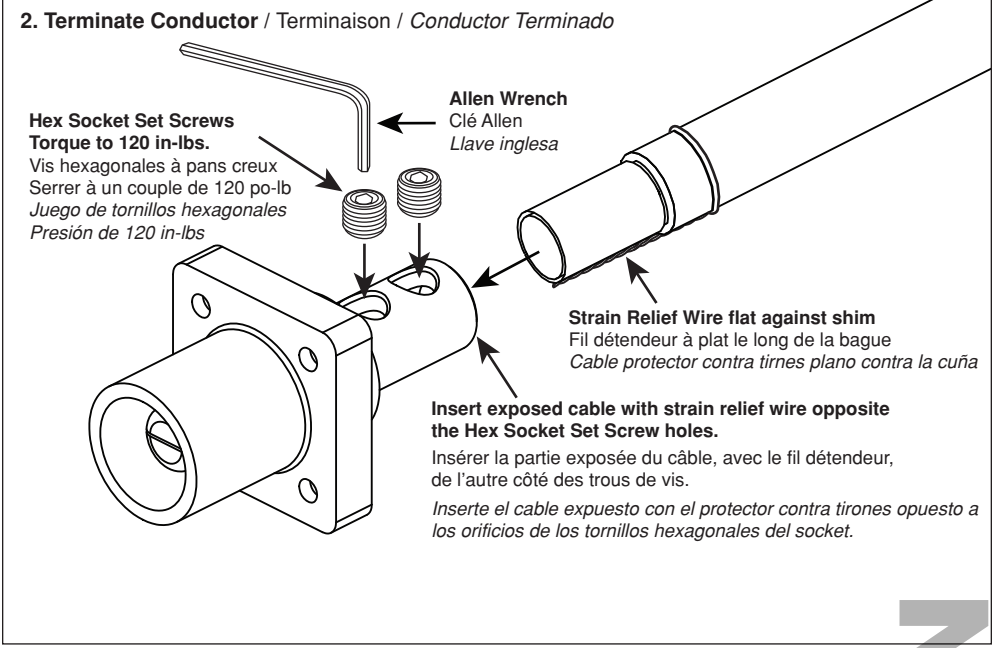
REMARQUE : les prises peuvent être installées de manière sécuritaire directement sur des panneaux d'acier. Dans de tels cas, les vis de fixation ne peuvent être plus longues que 3/4 po (1,9 cm), et la cosse doit être placée de manière à ne pas être directement au-dessus du bout des vis.

NOTA: Los receptáculos pueden montarse de forma segura directamente en paneles de acero. Para esta aplicación, los tornillos de montaje no deberán exceder 3/4" (1.9 cm) de longitud y la orejeta se debe colocar de tal manera que ésta no quede directamente sobre los extremos de los tornillos.

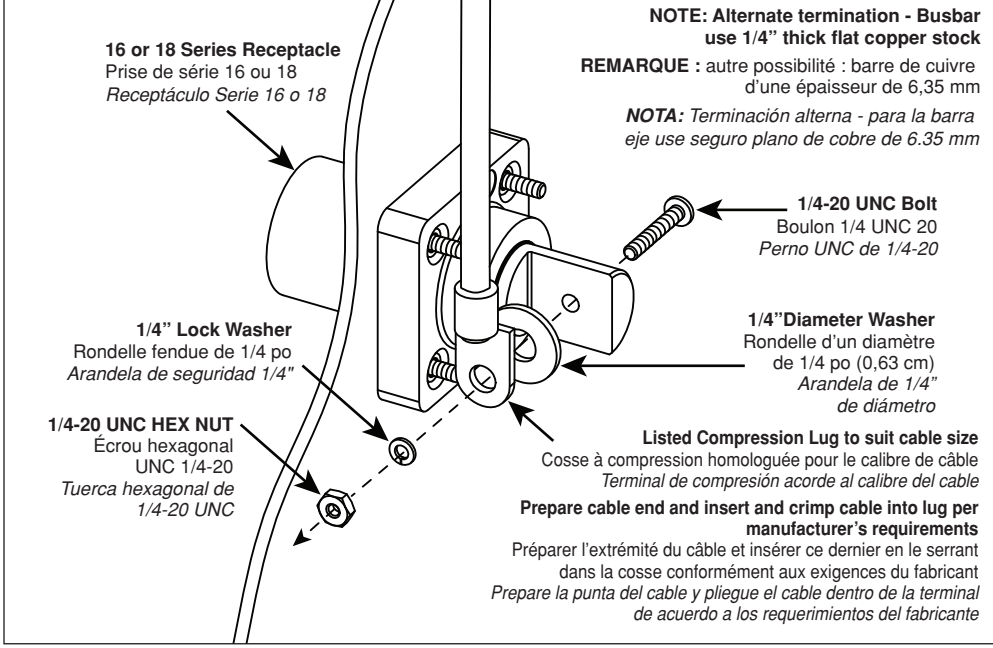
TO WIRE DOUBLE SET SCREW 1 - (2/0 - 4/0) / DEUX VIS CALANTES (2/0-4/0 AWG), 1 PARA CABLEAR 2 JUEGOS DE TORNILLOS 1 - (2/0 - 4/0)



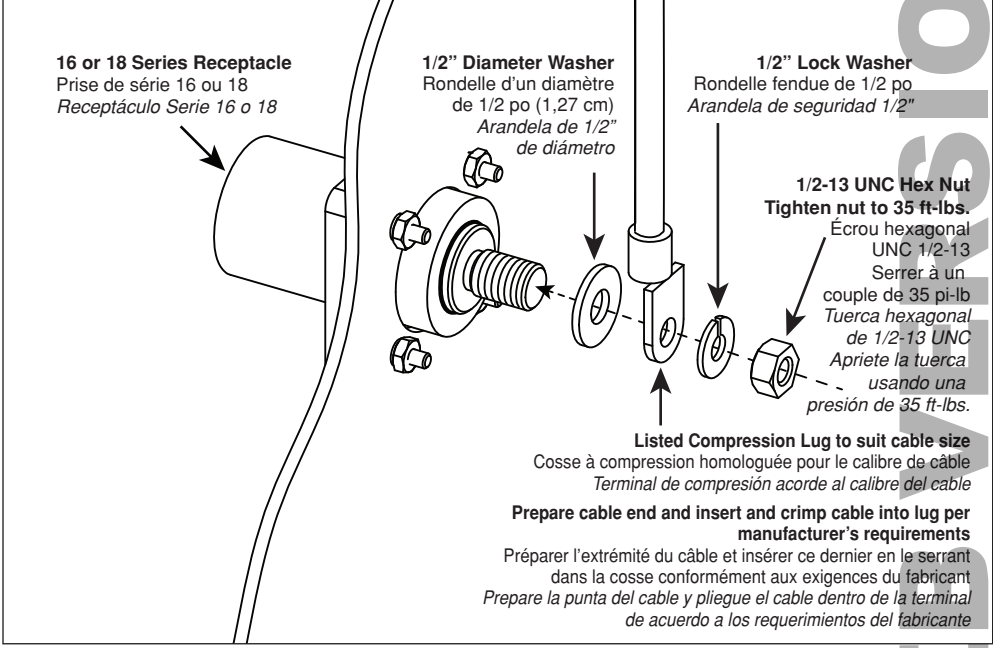
TO WIRE DOUBLE SET SCREW 2 - (2/0 - 4/0) / DEUX VIS CALANTES (2/0-4/0 AWG), 2 PARA CABLEAR 2 JUEGOS DE TORNILLOS 2 - (2/0 - 4/0)



TO WIRE HALF-ROUND (#2 - 4/0) / CONTACT EN DEMI-LUNE (2-4/0 AWG) PARA CABLEAR LA MITAD (# 2 - 4/0)



TO WIRE THREADED STUD (#2 - 4/0) / GOUJON FILETÉ (2-4/0 AWG) PARA CABLEAR CON UN PERNO ROSCADO (# 2 - 4/0)



FOR CANADA ONLY
For warranty information and/or product returns, residents of Canada should contact Leviton in writing at **Leviton Manufacturing of Canada ULC** to the attention of the Quality Assurance Department, 165 Hymus Blvd, Pointe-Claire (Quebec), Canada H9R 1E9 or by telephone at **1 800 405-5320**.

LIMITED 2 YEAR WARRANTY AND EXCLUSIONS
Leviton warrants to the original consumer purchaser and not for the benefit of anyone else that this product at the time of its sale by Leviton is free of defects in materials and workmanship under normal and proper use for two years from the purchase date. Leviton's only obligation is to correct such defects by repair or replacement, at its option. For details visit www.leviton.com or call 1-800-824-3005. This warranty excludes and there is disclaimed liability for labor for removal of this product or reinstallation. This warranty is void if this product is installed improperly or in an improper environment, overloaded, misused, opened, abused, or altered in any manner, or is not used under normal operating conditions or not in accordance with any labels or instructions. **There are no other or implied warranties of any kind, including merchantability and fitness for a particular purpose, but if any implied warranty is required by the applicable jurisdiction, the duration of any such implied warranty, including merchantability and fitness for a particular purpose, is limited to two years. Leviton is not liable for incidental, indirect, special, or consequential damages, including without limitation, damage to, or loss of use of, any equipment, lost sales or profits or delay or failure to perform this warranty obligation.** The remedies provided herein are the exclusive remedies under this warranty, whether based on contract, tort or otherwise.

