

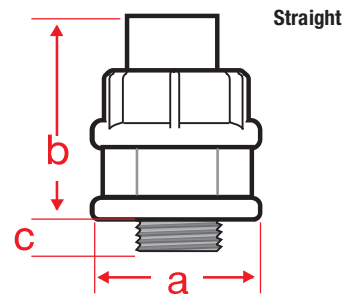
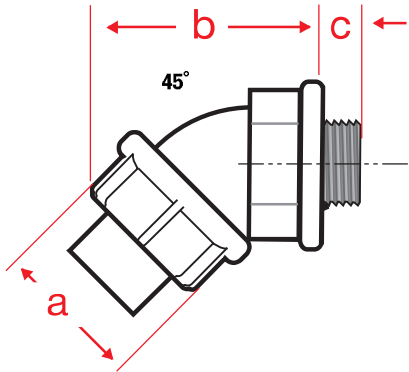
LIQUID TIGHT CONNECTORS

STRAIGHT CONNECTOR

Pipe Size	FERROUS Catalog #	A	B	C	Nominal Weight	Aluminum Catalog #
<input type="checkbox"/> 3/8"	PR5331	1.24	1.88	0.56	0.2	PR5231AL
<input type="checkbox"/> 1/2"	PR5332	1.46	2.06	0.56	0.2	PR5232AL
<input type="checkbox"/> 3/4"	PR5333	1.74	2.38	0.56	0.3	PR5233AL
<input type="checkbox"/> 1"	PR5334	1.96	3.06	0.75	0.4	PR5234AL
<input type="checkbox"/> 1-1/4"	PR5335	2.36	3.75	0.81	0.8	PR5235AL
<input type="checkbox"/> 1-1/2"	PR5336	2.80	4.19	0.81	0.9	PR5236AL
<input type="checkbox"/> 2"	PR5337	3.33	5.06	0.88	1.7	PR5237AL
<input type="checkbox"/> 2-1/2"	PR5338	3.83	6.13	1.00	3.0	PR5238AL
<input type="checkbox"/> 3"	PR5339	4.58	6.25	1.00	4.2	PR5239AL
<input type="checkbox"/> 4"	PR5340	5.58	6.50	1.13	6.2	PR5240AL

STRAIGHT CONNECTOR WITH GROUND

Pipe Size	FERROUS Catalog #	A	B	C	Ground Wire	Nominal Weight	Aluminum Catalog #
<input type="checkbox"/> 3/8"	PR5331GR	1.24	1.88	0.56	14-8	0.2	PR5231GRAL
<input type="checkbox"/> 1/2"	PR5332GR	1.46	2.06	0.56	14-8	0.2	PR5232GRAL
<input type="checkbox"/> 3/4"	PR5333GR	1.74	2.38	0.56	14-4	0.3	PR5233GRAL
<input type="checkbox"/> 1"	PR5334GR	1.96	3.06	0.75	14-4	0.4	PR5234GRAL
<input type="checkbox"/> 1-1/4"	PR5335GR	2.33	3.75	0.81	8/2/04	0.8	PR5235GRAL
<input type="checkbox"/> 1-1/2"	PR5336GR	3.33	4.19	0.81	4/3/04	0.9	PR5236GRAL
<input type="checkbox"/> 2"	PR5337GR	3.89	5.06	0.88	4/3/04	1.7	PR5237GRAL
<input type="checkbox"/> 2-1/2"	PR5338GR	4.52	6.13	1.00	2/5/04	3.0	PR5238GRAL
<input type="checkbox"/> 3"	PR5339GR	5.27	6.25	1.00	2/5/04	4.2	PR5239GRAL
<input type="checkbox"/> 4"	PR5340GR	6.21	6.50	1.13	2/5/04	6.2	PR5240GRAL



45° CONNECTOR

Pipe Size	FERROUS Catalog #	A	B	C	Nominal Weight
<input type="checkbox"/> 3/8"	PR5341	1.24	1.94	0.56	0.3
<input type="checkbox"/> 1/2"	PR5342	1.46	2.38	0.56	0.3
<input type="checkbox"/> 3/4"	PR5343	1.74	2.88	0.56	0.4
<input type="checkbox"/> 1"	PR5344	1.96	3.25	0.75	0.5
<input type="checkbox"/> 1-1/4"	PR5345	2.36	4.00	0.81	1.5
<input type="checkbox"/> 1-1/2"	PR5346	2.80	4.88	0.81	1.2
<input type="checkbox"/> 2"	PR5347	3.33	5.88	0.88	2.0
<input type="checkbox"/> 2-1/2"	PR5348	3.83	6.25	1.00	3.0
<input type="checkbox"/> 3"	PR5349	4.58	6.25	1.00	4.2
<input type="checkbox"/> 4"	PR5350	5.58	6.63	1.13	6.2

45° CONNECTOR WITH GROUND

Pipe Size	FERROUS Catalog #	A	B	C	Ground Wire	Nominal Weight
<input type="checkbox"/> 3/8"	PR5341GR	1.24	1.94	0.56	14-8	0.3
<input type="checkbox"/> 1/2"	PR5342GR	1.46	2.38	0.56	14-8	0.3
<input type="checkbox"/> 3/4"	PR5343GR	1.74	2.88	0.56	14-4	0.4
<input type="checkbox"/> 1"	PR5344GR	1.96	3.25	0.75	14-4	0.5
<input type="checkbox"/> 1-1/4"	PR5345GR	3.33	4.63	0.81	4/3/04	1.5
<input type="checkbox"/> 1-1/2"	PR5346GR	3.33	4.88	0.81	4/3/04	1.2
<input type="checkbox"/> 2"	PR5347GR	3.89	5.88	0.88	4/3/04	2.0
<input type="checkbox"/> 2-1/2"	PR5348GR	4.52	6.25	1.00	2/5/04	3.0
<input type="checkbox"/> 3"	PR5349GR	5.27	6.25	1.00	2/5/04	4.2
<input type="checkbox"/> 4"	PR5350GR	6.21	6.63	1.13	2/5/04	6.2

90° CONNECTOR

Pipe Size	FERROUS Catalog #	A	B	C	Nominal Weight	Aluminum Catalog #
<input type="checkbox"/> 3/8"	PR5351	1.24	1.80	0.56	0.3	PR5251AL
<input type="checkbox"/> 1/2"	PR5352	1.46	2.10	0.56	0.3	PR5252AL
<input type="checkbox"/> 3/4"	PR5353	1.74	2.54	0.56	0.4	PR5253AL
<input type="checkbox"/> 1"	PR5354	1.96	3.23	0.75	0.6	PR5254AL
<input type="checkbox"/> 1-1/4"	PR5355	2.36	4.04	0.81	1.0	PR5255AL
<input type="checkbox"/> 1-1/2"	PR5356	2.80	4.48	0.81	1.7	PR5256AL
<input type="checkbox"/> 2"	PR5357	3.33	5.48	0.88	2.7	PR5257AL
<input type="checkbox"/> 2-1/2"	PR5358	3.83	10.92	1.00	3.8	-
<input type="checkbox"/> 3"	PR5359	4.58	12.29	1.00	4.2	-
<input type="checkbox"/> 4"	PR5360	5.58	14.67	1.13	6.2	-

90° CONNECTOR WITH GROUND

Pipe Size	FERROUS Catalog #	A	B	C	Ground Wire	Nominal Weight	Aluminum Catalog #
<input type="checkbox"/> 3/8"	PR5351GR	1.10	1.55	0.56	14-8	0.3	PR5251GRAL
<input type="checkbox"/> 1/2"	PR5352GR	1.46	1.98	0.56	14-8	0.3	PR5252GRAL
<input type="checkbox"/> 3/4"	PR5353GR	1.96	2.85	0.75	14-4	0.4	PR5253GRAL
<input type="checkbox"/> 1"	PR5354GR	1.96	3.10	0.75	14-4	0.6	PR5254GRAL
<input type="checkbox"/> 1-1/4"	PR5355GR	2.33	3.79	0.81	8/2/04	1.0	PR5255GRAL
<input type="checkbox"/> 1-1/2"	PR5356GR	3.33	4.48	0.81	4/3/04	1.7	PR5256GRAL
<input type="checkbox"/> 2"	PR5357GR	3.89	5.48	0.88	4/3/04	2.7	PR5257GRAL
<input type="checkbox"/> 2-1/2"	PR5358GR	4.52	10.92	1.00	2/5/04	3.8	-
<input type="checkbox"/> 3"	PR5359GR	5.27	12.29	1.00	2/5/04	4.2	-
<input type="checkbox"/> 4"	PR5360GR	6.21	14.67	1.13	2/5/04	6.2	-