

# Product Data Sheet



## 16XX ST

Replace XX with 02, 04, 06, 08 or 12 for number of poles

## 1600 Series with Stud

75 Amps, 600 Volts AC/DC

21/32" Line to Line Spacing

Wire Range (with unprepared wire):

#10 - #16 AWG Copper

[See tables below for wire sizes.](#)

### Electrical Ratings:

- 75A max (Based on NEC Table 310-16, 75°C columns)
- 600 Volts AC/DC (UL 1059 Class C, User Group - General Industrial)
- Short Circuit Current Rated for 10,000 Amps.
- Factory Wiring

### Mechanical Ratings:

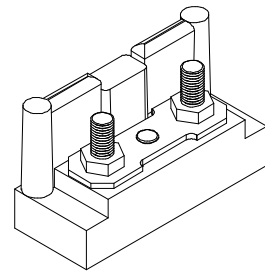
- Maximum insulator base temperature: 150°C (302°F) UL RTI
- Storage and transportation temperature range: -35°C to 125°C (-31°F to 257°F)
- Flammability rating of insulator base: UL 94 V-0
  - Use outside these ratings needs to be judged in the end-use application.

### Materials:

- Connector: Brass, nickel plated
- Insulator base: phenolic
- Marking Strip: Vinyl (white)
- Marking strip anchor screws: Steel, zinc plated



4 pole shown



10-32 Stud  
Removable Connector

- Stud: Brass, nickel plated, 10-32
- Nut, Brass, nickel plated

**Agency Approvals:**

- UL Recognized, UL 1059 Terminal Block Standard, File No. XCFR2.E62806
- CSA Certified, CSA C22.2 No. 158, File No. LR19766
- CE compliant to IEC 60947-7-1
- RoHS Compliant

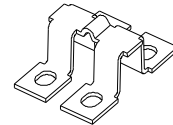
**Wire Approvals (with unprepared wire):**

Wire Size	Torque	Copper Wire Stranding Classes - Number of Strands		
		Solid	Class B	Class C
10 AWG	20 in. lbs	1	7	19
12	20 in. lbs	1	7	19
14	20 in. lbs	1	7	19
16	20 in. lbs	1	7	19

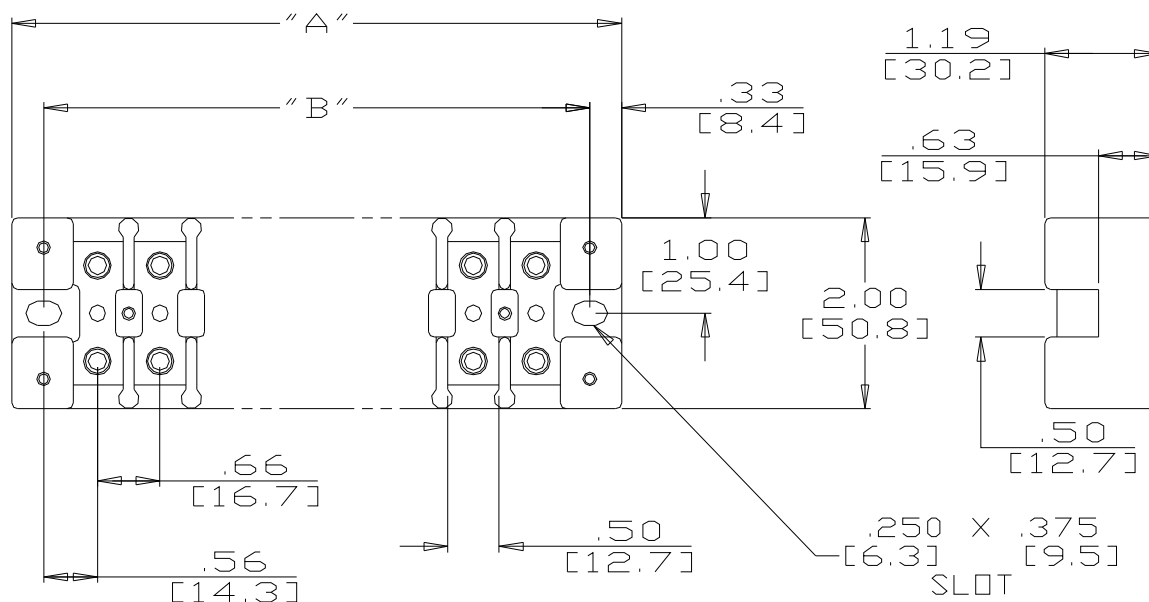
- Panel mountable: #10 fastener, torque to 25-30 in. lbs.

**Accessories:**

- Riveted connector available (order STRC)
- MCJ (Multi-Circuit Jumper) Bar Available: Only sold loose and the marking strip must be removed to assemble MCJ bar on part.
- Printing Available on Marking Strip:



Consult factory for custom printed applications



Catalog #	# of Poles	A	B
1604	4	3.75	3.09
1606	6	5.06	4.41
1608	8	6.38	5.72
1612	12	9.00	8.34

MM = Dim X 25.4

[WWW.MARATHONSP.COM](http://WWW.MARATHONSP.COM)  
1-419-352-8441

PDS 0209 REV A 11/07/07