



# 10" Lensed Ellipsoidal One Lamp MH Downlights **1061M**

One 175W or 250W  
ED28 or BT28 MH Lamp  
120V or 277V

DATE: \_\_\_\_\_ TYPE: \_\_\_\_\_

FIRM NAME: \_\_\_\_\_

PROJECT: \_\_\_\_\_



Ceiling Cutout: 9<sup>15</sup>/<sub>16</sub>"  
Maximum Ceiling Thickness: 1<sup>1</sup>/<sub>4</sub>"  
For conversion to millimeters,  
multiply inches by 25.4  
Not to Scale

### APPLICATIONS:

The Architektür 1061M Series offers a lensed high wattage ellipsoidal metal halide downlight that provides superior brightness and glare control. This luminaire is ideal for a wide variety of high ceiling applications including commercial, retail, and hospitality areas.

### HOUSING:

Diecast aluminum plaster flange and heat sink. .050" spun aluminum diffuse Alzak upper reflector. Prewired J-box. Thermal protector.

### REFLECTOR:

High purity aluminum Alzak reflector. Self-trim standard. Painted white self-trim available. Removable one-piece baffle or cone with white polypropylene trim ring. Protective glass lens.

### BALLAST:

Thermally protected electronic ballast included with housing. Accessible from below ceiling. See reverse side for ballast data.

### LAMP:

One (1) 175W ED28 or BT28 coated pulse start metal halide lamp. Enclosed rated. Lamp furnished by others.

### SOCKET:

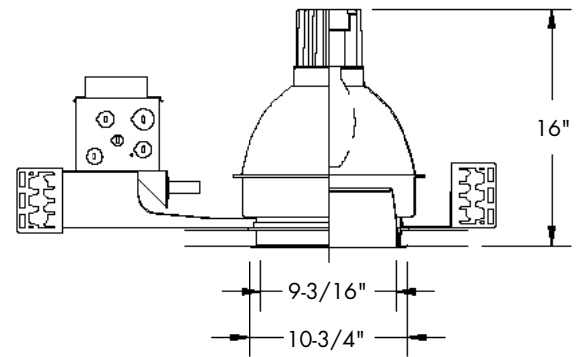
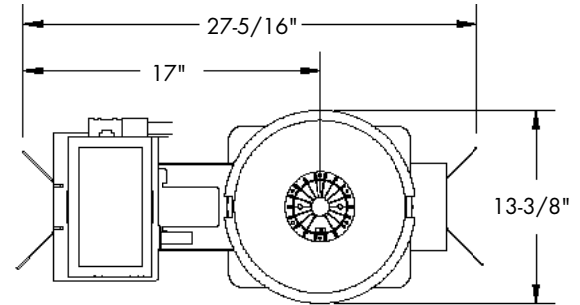
Mogul base porcelain socket with nickel plated screw shell.

### INSTALLATION:

Universal adjustable mounting brackets accommodate 1<sup>1</sup>/<sub>2</sub>" or 3<sup>3</sup>/<sub>4</sub>" lathing channel or 1<sup>1</sup>/<sub>2</sub>" EMT (by others), or Prescolite 24" bar hangers (B24 or B6).

### LABELS:

CSA US listed for damp locations. Approved for through wiring. Thermally protected. Non-IC rated. EISA compliant.



Requires field adjustment for 2 x 2 installation.

CATALOG NUMBER:

EXAMPLE: 1061M175EB120V 836LBC B6

HOUSINGS	VOLTAGE	HOUSING OPTIONS	REFLECTORS	REFLECTOR OPTIONS	ACCESSORIES
<b>1061M175EB</b> 10", (1) 175W ED28/BT28 MH enclosed fixture	<input type="checkbox"/> <b>120V</b> <input type="checkbox"/> <b>277V</b>  *347V magnetic ballast only (consult technical support)	<input type="checkbox"/> <b>DCB</b> Auxiliary socket (see note on back page) <input type="checkbox"/> <b>FSDFA</b> Fuse kit installed at factory <input type="checkbox"/> <b>QR</b> Quartz restrrike (see note on back page)	<input type="checkbox"/> <b>836L</b> Alzak reflector with lens  <b>REFLECTOR COLOR</b> <input type="checkbox"/> <b>Blank</b> Clear Alzak <input type="checkbox"/> <b>CG</b> Champagne Gold Alzak <input type="checkbox"/> <b>BL</b> Black Alzak <input type="checkbox"/> <b>WE</b> Wheat Alzak <input type="checkbox"/> <b>LW</b> Light Wheat Alzak <input type="checkbox"/> <b>PW</b> Pewter Alzak <input type="checkbox"/> <b>BC'</b> Painted black cone <input type="checkbox"/> <b>WC</b> Painted white cone	<input type="checkbox"/> <b>Blank</b> Specular <input type="checkbox"/> <b>SS</b> Semi-Specular <input type="checkbox"/> <b>MFC</b> American Matte™  <b>REFLECTOR OPTIONS</b> <input type="checkbox"/> <b>BB</b> Painted black baffle <input type="checkbox"/> <b>WB</b> Painted white baffle <input type="checkbox"/> <b>TRG</b> Trim Ring Gasket (factory installed)	<input type="checkbox"/> <b>B24</b> Set of two (2) 24" bar hangers for T-bar ceilings <input type="checkbox"/> <b>B6</b> Set of two (2) bar hangers for ceiling joists up to 24" centers <input type="checkbox"/> <b>FSDFI</b> Fuse kit for field installation <input type="checkbox"/> <b>SCA10D</b> Sloped ceiling adapter (see note on back page)

**E** EISA Compliant

<sup>1</sup>White flange standard



In a continuing effort to offer the best product possible we reserve the right to change, without notice, specifications or materials that in our opinion will not alter the function of the product.  
Web: [www.prescolite.com](http://www.prescolite.com) • Tech Support: (888) 777-4832

**ARCH-HID-015**

# PHOTOMETRIC DATA

## Architektūr - 10" Lensed Ellipsoidal MH Downlights - 1061M

### BALLAST DATA

175W

**120V**

**277V**

Power Factor	>90%	>90%
Regulation: Line Voltage	+ -5%	+ -5%
Output Wattage	+ -10%	+ -10%
Min. Ambient Starting Temp.	-30°C	-30°C
Input Watts	194W	191W
Input Amps	1.62 amp	.69 amp
Sound Rating	A	A

### LAMP DATA

Rated Watts	175W
Rated Lumens	16,600
Efficacy (LPW)	71
Rated Life	15,000
CRI	70

### NOTES

The DCB option uses a quartz T-4 lamp to provide emergency light during power outages. The DCB socket must be field wired into an auxiliary emergency power supply circuit for emergency use.

The QR option uses a quartz T-4 lamp to provide light continuously during cold start or hot restrike until the HID lamp is at approximately 70% or more of its rated light output.

When ordering a sloped ceiling adapter, specify the degree of slope in 5° increments (max of 3.5°). For a more precise degree or wet ceiling application, please contact factory. The SCA must be installed during housing installation.



Web: [www.prescolite.com](http://www.prescolite.com) • Tech Support: (888) 777-4832

701 Millennium Blvd. • Greenville, SC 29607 U.S.A. • Phone (864) 678-1000

Copyright ©2011 Prescolite, Inc., a division of Hubbell Lighting, Inc. All Rights Reserved

Specifications subject to change without notice. • Printed in U.S.A. • ARCH-HID015 • 2/22/11



Hubbell Lighting, Inc.