

Steel Poles



SSS SQUARE STRAIGHT STEEL

Catalog #		Type
Project		
Comments		Date
Prepared by		

FEATURES

- ASTM Grade steel base plate with ASTM A366 base cover
- Hand hole assembly 3" x 5" on 5" and 6" pole; and 2" x 4" on 4" pole
- 10'-39' mounting heights
- Drilled or tenon (specify)

DESIGN CONSIDERATIONS

Wind induced vibrations resulting from steady, unidirectional winds and other aerodynamic forces, as well as vibration and coefficient of height factors for non-grounded mounted installations (e.g., installations on bridges or buildings) are not included in this document. The information contained herein is for general guidance only and is not a replacement for professional judgement. Consult with a professional, and local and federal standards, before ordering to ensure product is appropriate for the intended purpose and installation location. Also, please review Cooper Lighting Solutions' Light Pole White Paper for risk factors and design considerations. [Learn more.](#)

Specifications and dimensions subject to change without notice. Consult your lighting representative at Cooper Lighting Solutions or visit www.eaton.com/lighting for available options, accessories and ordering information.

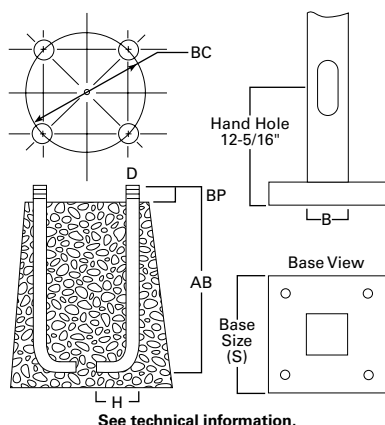
ORDERING INFORMATION

SAMPLE NUMBER: SSA5A20SFM1XG

Product Family	Shaft Size (Inches) ¹	Wall Thickness (Inches)	Mounting Height (Feet)	Base Type	Finish	Mounting Type	Number and Location of Arms	Arm Lengths (Feet)	Options (Add as Suffix)
SSS=Square Straight Steel	4=4" 5=5" 6=6"	A=0.120" M=0.188" X=0.250"	10=10' 15=15' 20=20' 25=25' 30=30' 35=35' 39=39'	S=Square Steel Base	F=Dark Bronze G=Galvanized Steel J=Summit White K=Carbon Bronze L=Dark Platinum R=Hartford Green S=Silver T=Graphite Metallic V=Grey W=White X=Custom Color Y=Black	2=2-3/8" O.D. Tenon (4" Long) 3=3-1/2" O.D. Tenon (5" Long) 4=4" O.D. Tenon (6" Long) 9=3" O.D. Tenon (4" Long) 6=2-3/8" O.D. Tenon (6" Long) 7=4" O.D. Tenon (10" Long) A=Type A Drilling C=Type C Drilling E=Type E Drilling F=Type F Drilling G=Type G Drilling J=Type J Drilling K=Type K Drilling M=Type M Drilling N=Type N Drilling R=Type R Drilling S=Standard Upsweep Arm ⁶ Z=Type Z Drilling	1=Single 2=2 at 180° 3=Triple ² 4=4 at 90° 5=2 at 90° X=None	X=None 2=2' 3=2.5' 4=4' 6=6' 8=8'	A=1/2" Tapped Hub ³ B=3/4" Tapped Hub ³ C=Convenience Outlet ⁴ E=GFCI Convenience Outlet ⁴ G=Ground Lug H=Additional Hand Hole ⁵ V=Vibration Dampener

NOTES: 1. All shaft sizes nominal. 2. Square poles are 3 at 90°, round poles are 3 at 120°. 3. Tapped Hub is located 5' below the pole top and on the same side of pole as hand hole, unless specified otherwise. 4. Outlet is located 4' above base and on same side of pole as hand hole, unless specified otherwise. Receptacle not included, provision only. 5. Additional hand hole is located 12" below pole top and 90° from standard hand hole location, unless otherwise specified. 6. Arm must be ordered separately.

ANCHORAGE DATA



See technical information.

Pole	Template Number	Bolt Number	Bolt Circle (inches)	Number of Bolts	Bolt Size (inches)
SSS4	TMP1	AB1	8.5 - 11.0	4	3/4 x 25 x 3
SSS5	TMP1	AB1	11.0	4	3/4 x 25 x 3
SSS6	TMP2	AB3	12.5	4	1 x 36 x 4

Effective Projected Area (At Pole Top)

Mounting Height (Feet)	Catalog Number ^{1,2}	Wall Thickness (Inches)	Base Square ³ (Inches)	Bolt Circle Diameter (Inches)	Anchor Bolt Projection ³ (Inches)	Shaft Size ³ (Inches)	Anchor Bolt Diameter x Length x Hook (Inches)	Net Weight (Pounds)	Maximum Effective Projected Area (Square Feet) ⁴				Max. Fixture Load - Includes Bracket (Pounds)
									80 mph	90 mph	100 mph	110 mph	
MH			S	BC	BP	B	D x AB x H						
10	SSS4A10S	0.120	10-1/2	11	4-1/2	4	3/4 x 25 x 3	85	30.0	22.0	17.0	13.0	100
15	SSS4A15S	0.120	10-1/2	11	4-1/2	4	3/4 x 25 x 3	118	15.0	11.5	8.7	6.5	100
20	SSS4A20S	0.120	10-1/2	11	4-1/2	4	3/4 x 25 x 3	150	8.7	5.9	3.9	2.5	150
20	SSS5A20S	0.120	10-1/2	11	4-1/2	5	3/4 x 25 x 3	183	15.4	11.1	7.9	5.5	150
25	SSS4A25S	0.120	10-1/2	11	4-1/2	4	3/4 x 25 x 3	181	3.7	1.7	0.3	--	200
25	SSS5A25S	0.120	10-1/2	11	5	5	3/4 x 25 x 3	222	9.3	6.0	3.5	1.6	200
25	SSS6A25S	0.120	12-1/2	12-1/2	5	6	1 x 36 x 4	284	9.9	6.1	3.5	1.2	200
30	SSS5A30S	0.120	10-1/2	11	4-1/2	5	3/4 x 25 x 3	260	4.7	2.1	--	--	200
30	SSS5M30S	0.188	10-1/2	11	4-1/2	5	3/4 x 25 x 3	392	10.4	6.4	3.5	1.5	200
30	SSS6A30S	0.120	12-1/2	12-1/2	5	6	1 x 36 x 4	330	4.3	1.4	--	--	200
30	SSS6M30S	0.188	12-1/2	12-1/2	5	6	1 x 36 x 4	489	19.0	13.0	8.7	5.6	200
35	SSS5M35S	0.188	10-1/2	11	4-1/2	5	3/4 x 25 x 3	453	5.8	2.8	--	--	200
35	SSS6M35S	0.188	12-1/2	12-1/2	5	6	1 x 36 x 4	564	12.8	7.2	3.7	1.0	200
35	SSS6X35S	0.250	12-1/2	12-1/2	5	6	1 x 36 x 4	738	16.5	11.0	6.8	3.5	200
39	SSS6M39S	0.188	12-1/2	12-1/2	5	6	1 x 36 x 4	618	7.3	3.0	--	--	300
39	SSS6X39S	0.250	12-1/2	12-1/2	5	6	1 x 36 x 4	816	13.0	7.0	3.7	0.8	300

Effective Projected Area (Two Feet Above Pole Top)

Mounting Height (Feet)	Catalog Number ^{1,2}	Wall Thickness (Inches)	Base Square ³ (Inches)	Bolt Circle Diameter (Inches)	Anchor Bolt Projection ³ (Inches)	Shaft Size ³ (Inches)	Anchor Bolt Diameter x Length x Hook (Inches)	Net Weight (Pounds)	Maximum Effective Projected Area (Square Feet) ⁴				Max. Fixture Load - Includes Bracket (Pounds)
									80 mph	90 mph	100 mph	110 mph	
MH			S	BC	BP	B	D x AB x H						
10	SSS4A10S	0.120	10-1/2	11	4-1/2	4	3/4 x 25 x 3	85	23.0	17.5	14.0	11.0	100
15	SSS4A15S	0.120	10-1/2	11	4-1/2	4	3/4 x 25 x 3	118	13.4	10.0	7.5	5.7	100
20	SSS4A20S	0.120	10-1/2	11	4-1/2	4	3/4 x 25 x 3	150	7.6	5.2	3.4	2.1	150
20	SSS5A20S	0.120	10-1/2	11	4-1/2	5	3/4 x 25 x 3	183	13.8	9.9	7.1	4.9	150
25	SSS4A25S	0.120	10-1/2	11	4-1/2	4	3/4 x 25 x 3	181	3.4	1.6	0.3	--	200
25	SSS5A25S	0.120	10-1/2	11	5	5	3/4 x 25 x 3	222	8.5	5.5	3.2	1.5	200
25	SSS6A25S	0.120	12-1/2	12-1/2	5	6	1 x 36 x 4	284	9.1	5.6	3.0	1.2	200
30	SSS5A30S	0.120	10-1/2	11	4-1/2	5	3/4 x 25 x 3	260	1.8	--	--	--	200
30	SSS5M30S	0.188	10-1/2	11	4-1/2	5	3/4 x 25 x 3	392	9.6	5.9	1.9	0.2	200
30	SSS6A30S	0.120	12-1/2	12-1/2	5	6	1 x 36 x 4	330	4.1	1.3	--	--	200
30	SSS6M30S	0.188	12-1/2	12-1/2	5	6	1 x 36 x 4	489	18.5	12.5	8.4	5.3	200
35	SSS5M35S	0.188	10-1/2	11	4-1/2	5	3/4 x 25 x 3	453	5.5	2.4	--	--	200
35	SSS6M35S	0.188	12-1/2	12-1/2	5	6	1 x 36 x 4	564	11.8	7.0	3.5	1.0	200
35	SSS6X35S	0.250	12-1/2	12-1/2	5	6	1 x 36 x 4	738	16.0	10.5	6.4	3.4	200
39	SSS6M39S	0.188	12-1/2	12-1/2	5	6	1 x 36 x 4	618	7.0	2.4	--	--	300
39	SSS6X39S	0.250	12-1/2	12-1/2	5	6	1 x 36 x 4	816	12.0	6.7	3.0	0.5	300

NOTES:

1. Catalog number includes pole with hardware kit. Anchor bolts not included. Before installing, make sure proper anchor bolts and templates are obtained.
2. Tenon size or machining for rectangular arms must be specified. Hand hole position relative to drill location.
3. Shaft size, base square, anchor bolts and projections may vary slightly. All dimensions nominal.
4. EPAs based on shaft properties with wind normal to flat. EPAs calculated using base wind velocity as indicated plus 30% gust factor.