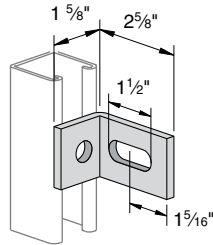


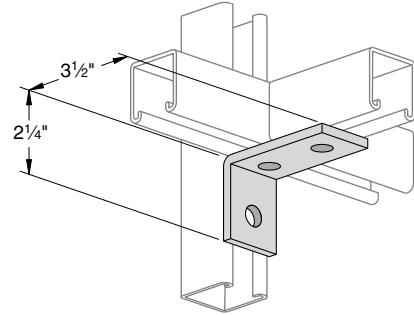
Finish: Painted Green or Electro-galvanized Order By: No., Size and Finish

PS 2545 – Slotted 90° Angle



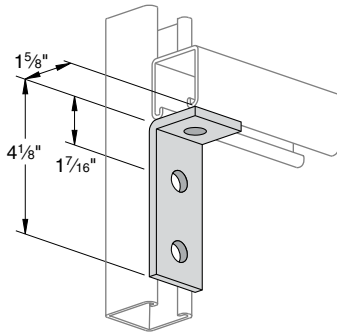
Weight/100 pcs: 38 lbs.

PS 605 – Three-Hole Corner Angle



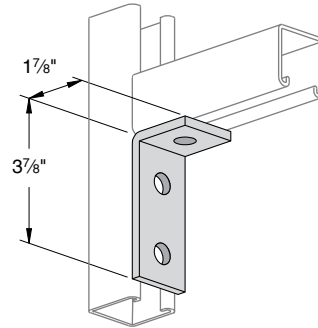
Weight/100 pcs: 58 lbs.

PS 606 – Three-Hole Corner Angle



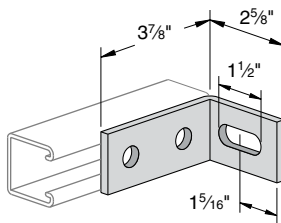
Weight/100 pcs: 58 lbs.

PS 745 – Three-Hole Corner Angle



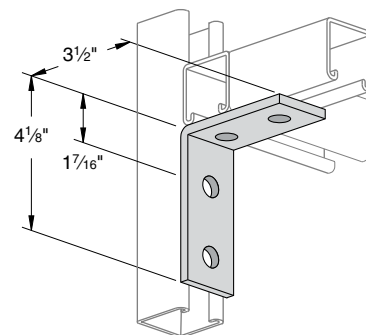
Weight/100 pcs: 58 lbs.

PS 3049 – Two-Hole Slotted 90° Angle



Weight/100 pcs: 66 lbs.

PS 607 – Four-Hole Corner Angle



Weight/100 pcs: 78 lbs.