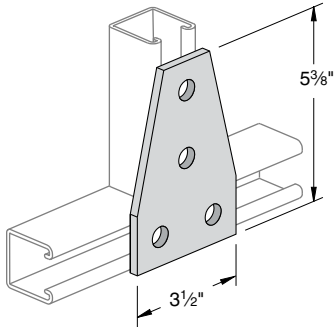


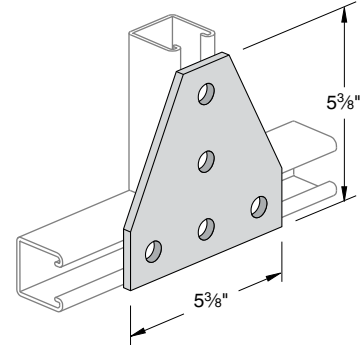
Finish: Painted Green or Electro-galvanized Order By: No., Size and Finish

PS 747 – Symmetrical Four-Hole Connector



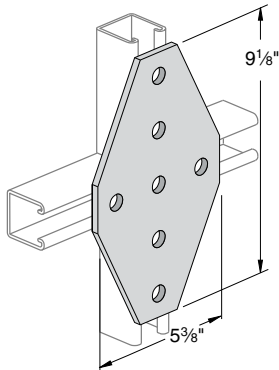
Weight/100 pcs: 105 lbs.

PS 854 – Flat Connector



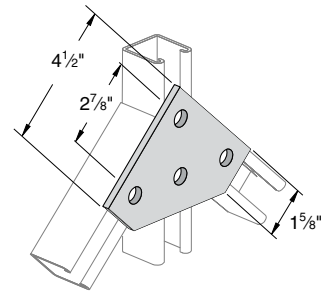
Weight/100 pcs: 148 lbs.

PS 2112 – Cross Connector



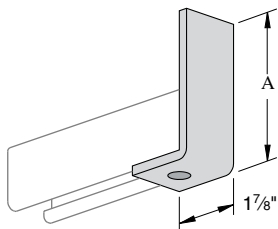
Weight/100 pcs: 240 lbs.

PS 822 – Double 45° Connector



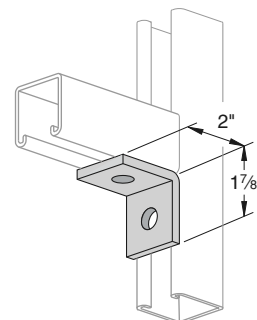
Weight/100 pcs: 112 lbs.

PS 921 – One-Hole Angle



A	Wt./100 pcs
3 7/8"	61
5 7/8"	84
7 7/8"	107
9 7/8"	130

PS 603 – Two-Hole End Angle



Weight/100 pcs: 38 lbs.