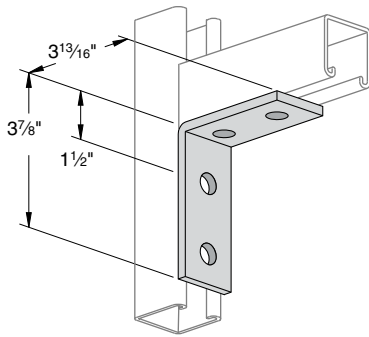


FITTINGS

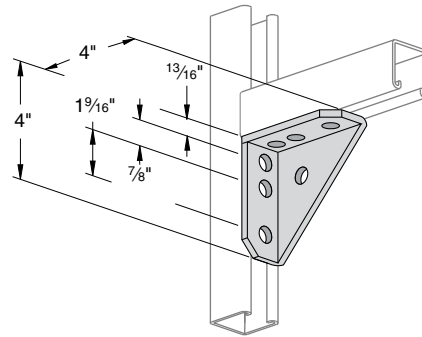
Finish: Painted Green or Electro-galvanized Order By: No., Size and Finish

PS 660 – Four-Hole Corner Angle



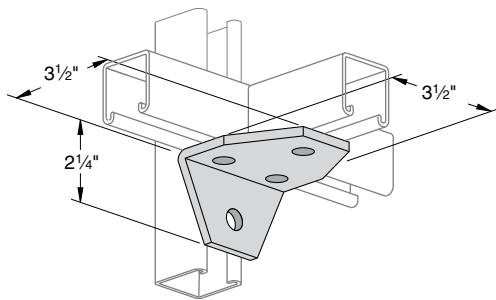
Weight/100 pcs: 78 lbs.

PS 3373 – Universal Corner Connector



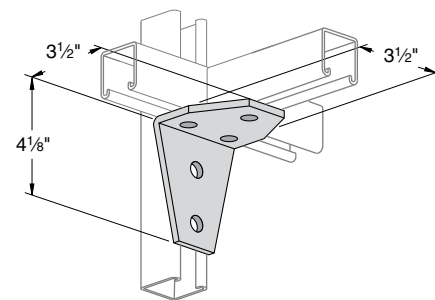
Weight/100 pcs: 134 lbs.

PS 614 – Four-Hole Joint Angle Connector



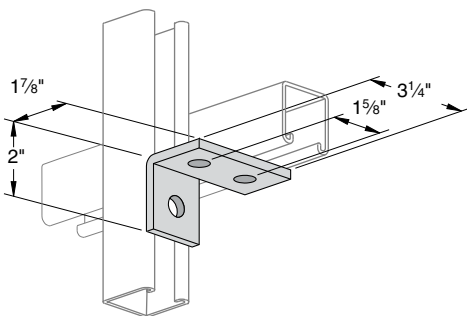
Weight/100 pcs: 103 lbs.

PS 615 – Five-Hole Joint Angle Connector



Weight/100 pcs: 135 lbs.

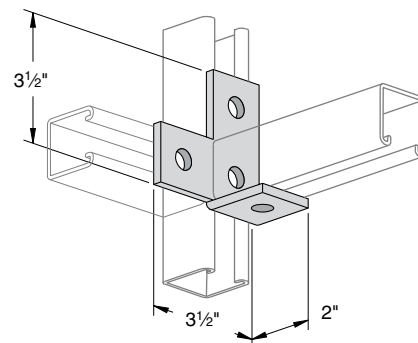
PS 720 R OR L – Angle Plate Connector



NOTE: Specify R (Right) or L (Left)
Right Hand Illustrated

Weight/100 pcs: 55 lbs.

PS 716 R OR L – Angle Tee Plate



NOTE: Specify R (Right) or L (Left)
Right Hand Illustrated

Weight/100 pcs: 80 lbs.