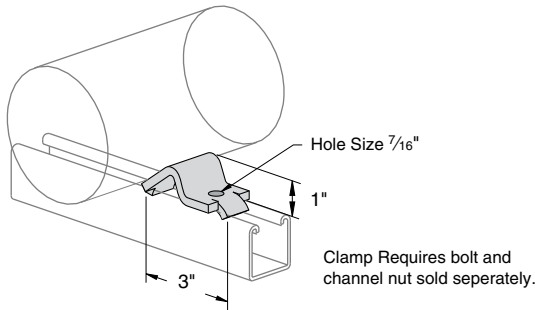


BRACKETS

Finish: Painted Green or Electro-galvanized Order By: No., Size and Finish

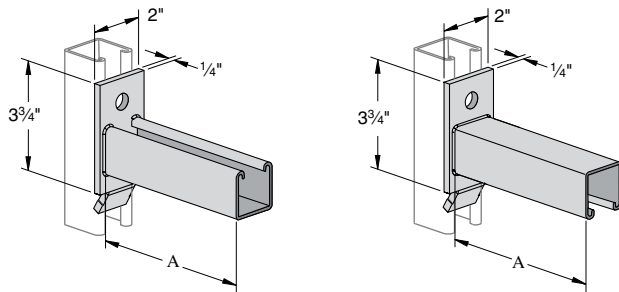
PS 626 – Pipe Stop



NOTE: For use with 2" to 8" Pipe

Weight/100 pcs: 40 lbs.

PS 808 T1, PS 808 T2 – Interlocking Channel Bracket



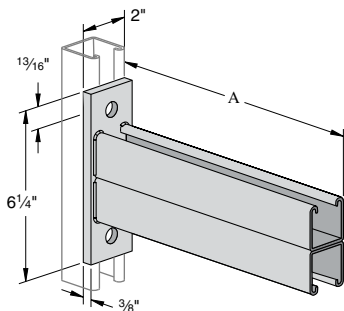
(PS 808 T1 Slot Up)

(PS 808 T2 Slot Down)

A Size	Uniform Load*	Wt./ 100 pcs
6"	1,200	161
12"	600	261
18"	400	361
24"	300	461

*Mounted on 12 Ga. Channel

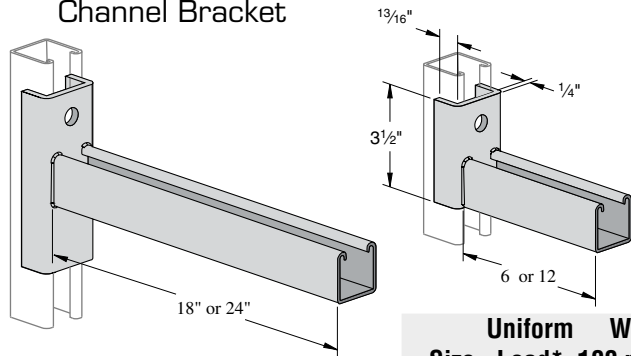
PS 809 – Double Channel Bracket



A Size	Uniform Load*	Wt./ 100 pcs
12"	2,000	502
18"	1,300	692
24"	1,000	882
30"	800	1,072
36"	650	1,262

*Mounted on 12 Ga. Channel

PS 661 T1, PS 661 T2 – Wrap-Around Channel Bracket

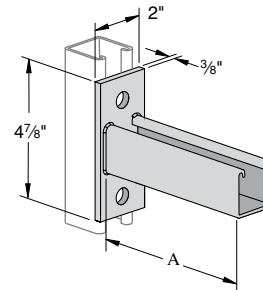


NOTE: PS 661 T1 (Slot up) illustrated
PS 661 T2 (Slot down) not shown

Uniform Size	Load*	Wt./ 100 pcs
6"	1,600	191
12"	800	292
18"	600	436
24"	450	536

*Mounted on 12 Ga. Channel

PS 651 – Reversible Channel Bracket



A Size	Uniform Load*	Wt./ 100 pcs
6"	1,200	185
12"	600	293
18"	400	401
24"	300	509

*Mounted on 12 Ga. Channel

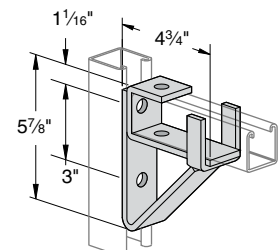
PS 708 – Single Channel Bracket Support

Use With: PS 200, PS 210, PS 500 2T3

Design Moment on Upright Channel:

- 16 ga. channel 3,200 in.-lbs.,
- 14 ga. channel 4,400 in.-lbs.
- 12 ga. channel 5,100 in.-lbs.

NOTE: Moment is for fitting only. Channel may determine overall capacity.



Weight/100 pcs: 235 lbs.