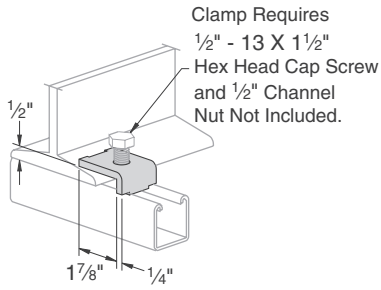


BEAM CLAMPS



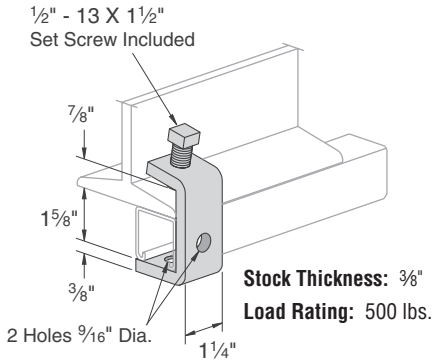
Finish: Painted Green, or Electro-galvanized **Order By:** No. and Finish **Note:** Use in pairs or with other support

PS 686 – Beam Clamp



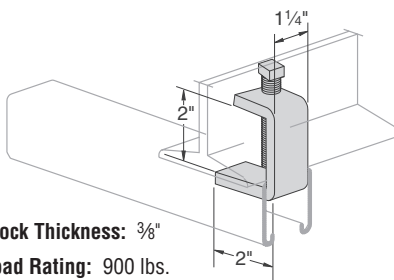
Load Rating:
Use in pairs only 600 lbs. with 12 ga. channel
500 lbs. with 14 ga. channel
Weight/100 pcs: 26 lbs.

PS 684 – "I" Beam Clamp



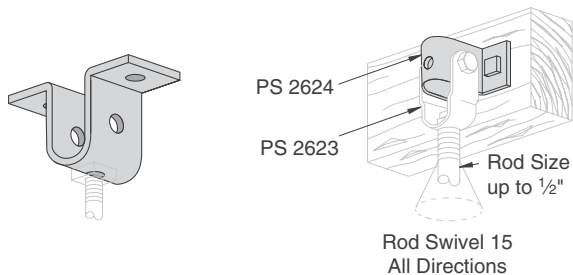
Weight/100 pcs: 94 lbs.

PS 916 – "I" Beam Clamp



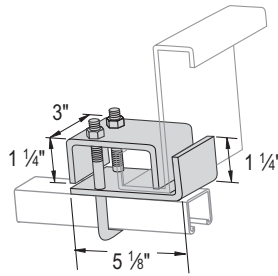
Weight/100 pcs: 72 lbs.

PS 2624 – Wood Beam Hanger



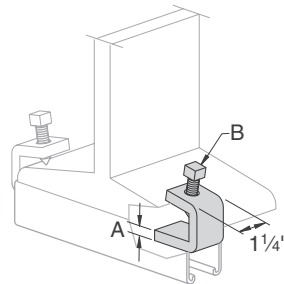
Weight/100 pcs: 22 lbs.

PS 2653 – Purlin Clamp



Part No.	Use With	Load Rating	Wt./100 pcs.
PS 2653 T1	PS 200, PS 210, PS 300	1,200	175
PS 2653 T2	PS 100, PS 150, PS 200 2T3		179
PS 2653 T3	PS 100 2T3		179

PS 907, PS 998 – "I" Beam Clamp

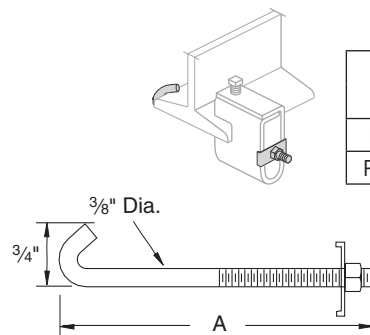


Part No.	Stock Thickness	Set Screw	Load Rating lbs.	Wt./100 pcs.
PS 907	1/4"	3/8"	450	26
PS 998	3/8"	1/2"	1,000	64

Load rating is based on 2 clamps
Use in pairs only

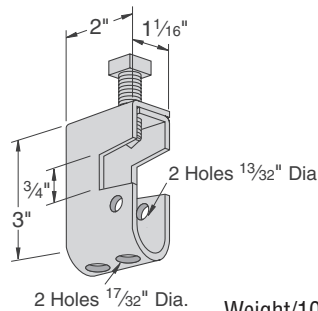
Maximum flange thickness is 1"

PS 736 – Hook Rod Assembly



Part No.	Flange Width		A Size	Wt./100 pcs
	Max	Min		
PS 736 J6	7"	3"	8 5/8"	24
PS 736 J10	11"	7"	12 5/8"	33

PS 2622 – Beam Clamp



Assembly including PS 736 also available.

Order PS 2622/J6 or PS 2622/J10

Load Rating: 300 lbs.

Note:
Adaptable for 1/4", 3/8" & 1/2" rod with PS 3201.

Weight/100 pcs: 41 lbs.