

Liquid Tight Connectors

Catalog Number: PR5332GR

UPC: 784011208425

Description

1/2 Inch Straight LT Connector w/ Ground

PVC coated liquid tight connectors with ground are used with liquid tight conduit to wire motors, transformers, processing equipment, pumps, etc. The flexible conduit and the PVC coated connector work together to seal out water and other corrosive liquids, protecting the conductors from damage.

Application

- Used with liquid tight conduit to wire motors, transformers, processing equipment, pumps, and more.

Features

- 40 mil gray PVC exterior coating
- 2 mil red urethane interior coating
- 13 trade sizes from 3/8" through 6"
- Sealing sleeves on all conduit openings
- Available in straight, 45° or 90° body configurations
- Available with an external grounding lug

General

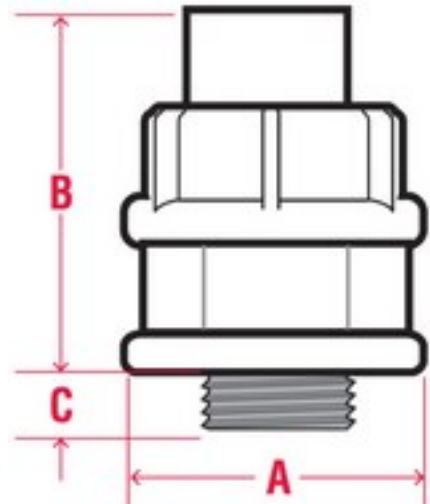
Material:	FERROUS METAL
Exterior Finish:	A nominal .040 inch (40 mil) gray PVC coating
Interior Finish:	A nominal .002 inch (2 mil) red urethane
Configuration:	STRAIGHT
Grounding Lug:	Attached

Dimensions

Dimension A (Inches)	1.46
Dimension B (Inches)	1.56
Dimension C (Inches)	0.56
Ground Wire	14-8
Nominal Weight (Pounds)	0.2

Technical / Specification Documents

Specification Guide (1995 Master)	AVAILABLE ON WEBSITE
Specification Guide (2004 Master)	AVAILABLE ON WEBSITE
Installer Certification and Tools	AVAILABLE ON WEBSITE
Chemical Resistance Charts	AVAILABLE ON WEBSITE
Performance Specifications	AVAILABLE ON WEBSITE





Liquid Tight Connectors

Catalog Number: PR5332GR

UPC: 784011208425

Standards

UL 514B (Steel fittings only): E200413

UL 467 (Steel Fittings only): E217890

ETL PVC-001 Verified: 3072346-004
