

M5362-1CW

Lev-Lok Duplex Receptacle Outlet, Heavy-Duty Industrial Specification Grade, Split-Circuit, One Outlet Marked "Controlled", Smooth Face, 20 Amp, 125 Volt, Modular, NEMA 5-20R, 2-Pole, 3-Wire, Self-Grounding - White

Mating Lev-Lok Wiring Module Required for Use


The Lev-Lok® Modular Wiring Device System is engineered for fast and easy installation. These devices employ a simple twist and lock wiring module that ensures a safe, reliable connection while at the same time providing for extremely fast and easy installation. Lev-Lok brand wiring devices address the reliability and performance concerns of specification engineers without sacrificing the contractor's need for fast, easy installation.



Color :  White

UPC Code : 078477739969

Country Of Origin : Mexico

NEMA :  5-20R

Available Colors :


Ivory

Technical Information

AC Horsepower Ratings

Horsepower Rating : 1 HP

Electrical Specifications

Amperage : 20 A

Current Interrupting : Certified for current interrupting at full rated current

Dielectric Voltage : Withstands 2000V per UL498

Grounding : Self-Grounding

Pole : 2

Temperature Rise : Max 30C after 250 cycles OL at 200 percent rated current

Voltage : 125 VAC

Wire : 3

Environmental Specifications

Operating Temperature : -40°C to 60°C

Material Specifications

Base Material : Nylon

Bushing : Solid Brass

Cover Material : Nylon

Ground Clips : Brass

Line Contacts : 0.040" Thick Solid Brass

Locking Pins : Solid Brass

Mounting Screws : Triple Combination Head, Steel

Mounting Strap : Galvanized Steel

Mechanical Specifications

Product ID : Ratings are permanently marked on device

Termination : Modular

Product Features

Brand : Lev-Lok

Color : White

Device Type : Duplex Receptacle Outlet

Feature : Split-circuit, One Outlet Marked Controlled, Smooth Face

Grade : Heavy-Duty Industrial Specification Grade

NEMA : 5-20R

Standards and Certifications

ANSI : C-73

CSA C22.2 No. 42 : File 152105

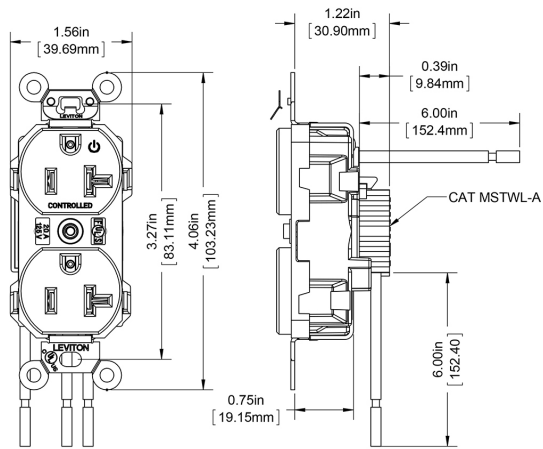
NEMA : WD-1 & WD-6

NOM : 057

UL Fed Spec WC-596 : File E13399

UL498 : File E13399

Warranty : 10-Year Limited



SPECIFICATION SUBMITTAL

JOB NAME:		CATALOG NUMBERS:	
<input type="text"/>		<input type="text"/>	<input type="text"/>
JOB NUMBER:		<input type="text"/>	<input type="text"/>

Leviton Manufacturing Co., Inc.

201 North Service Road, Melville, NY 11747

Telephone: +1-800-323-8920 · FAX: +1-800-832-9538 · Tech Line (8:30AM-7:30PM E.S.T. Monday-Friday):

+1-800-824-3005

Leviton Manufacturing of Canada, Ltd.

165 Hymus Boulevard, Pointe Claire, Quebec H9R 1E9 · Telephone: +1-800-469-7890 ·

FAX: +1-800-824-3005 · www.leviton.com/canada

Leviton S. de R.L. de C.V.

Lago Tana 43, Mexico DF, Mexico CP 11290 · Tel.: (+52)55-5082-1040 · FAX: (+52)5386-

1797 · www.leviton.com.mx

Visit our Website at: www.leviton.com

© 2018 Leviton Manufacturing Co., Inc. All Rights Reserved. Subject to change without notice.

Leviton has a global presence.

If you would like to know where your local Leviton office is located please go to:

www.leviton.com/international/contacts/

