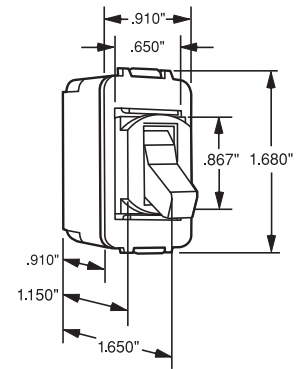


Electrical Accessories Special Purpose Devices – Despard®

Pass & Seymour



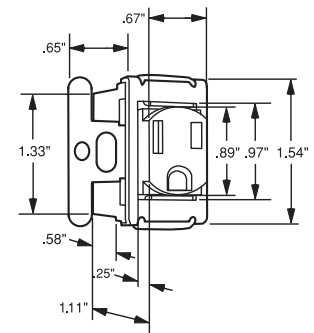
Catalog Number		Color	Rating		3rd Party Compliance
Single Pole	Three-Way		A.	V.	UL20
Toggle Switches Screw Terminals					
ACD1-I	ACD3-I	Ivory	15	120/277	•
ACD1-W	ACD3-W	White	15	120/277	•
ACD1	ACD3	Brown	15	120/277	•
ACD201-I	ACD203-I	Ivory	20	120/277	•
ACD201	ACD203	Brown	20	120/277	•



ACD1

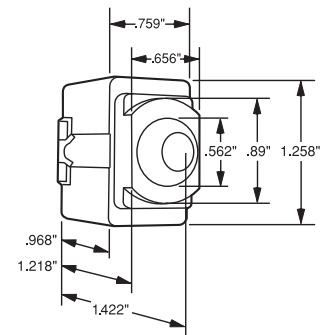
HP Conversion Table			
15 Amp	1/2 Horsepower at 120V	2 Horsepower at 240V	
20 Amp	1 Horsepower at 120V	2 Horsepower at 240V	

Catalog Number	Color	Rating A. V.	Description	3rd Party Compliance
Receptacles Three Wire Grounding				
1432	Ivory	15 125	Must be installed in end opening of strap	•
1532	White	15 125		•
1332	Brown	15 125	with Ground Lead	•
1433	Ivory	15 125		•
1333	Brown	15 125		•



1432

Catalog Number			Rating	Description	3rd Party Compliance
Ivory	Brown	White	W. V.		UL542
Neon Pilot Lights					
1475	1375	1575	1/25 125	Flush Red Neon Pilot Light with Screw Terminals	•
	1375-220		1/8 220		•
1475-277			1/6 277		•



1475

Catalog Number	Color	Rating A. V.	Description	3rd Party Compliance
Flush Pilot Lights with Mounting Straps				
1376	Brown	6 125	Single, for Single Vertical Opening Plate	•
1377	Brown	6 125	Combination, for Switch or Outlet Plate	•