

# Fiberglass Enclosures Pushbutton Series

The Pushbutton Series offers a solution for applications requiring an enclosure with multiple pre-drilled openings for pushbuttons available in 30mm and 22mm configurations. The notched keyhole design, and the ability to order up to 25 holes, makes this versatile series a perfect match for your general purpose electrical and control station applications. Available in a choice of two body designs, these enclosures are made of fiberglass-reinforced polyester and have a memory retaining polyurethane gasket and stainless steel screws for exceptional corrosion and chemical resistance. The Pushbutton Series will hold up under the most extreme conditions and provide protection in adverse conditions such as water, steam, vapor or chemicals.

## Features:

- Lift-off cover design with four cover screws
- Memory retaining continuous polyurethane gasket
- Captive stainless steel cover screws
- Full metal grounding strap
- Notched keyhole design
- Chemical-resistant fiberglass-reinforced polyester
- Submersible, non-corrosive design
- Watertight, dusttight
- Non-conductive, impact-resistant, UV-resistant
- Material cuts, drills, punches and saws with ease and accuracy
- Rounded edges, minimal protrusions or exposed pocket areas for assembly of dust and debris
- Smooth surface, no color variations, swirls or color pockets, no voids

## Certifications and Compliances:

- UL/cUL 50, Types 1, 3, 4X, 6P, 12
- UL File No. E-57656
- CSA Std. C22.2 - File 244248 Types 1, 3, 4X, 6P, 12
- NEMA Standard 250 - Types 1, 3, 4X, 6P, 12
- Temperature range: -76°F to +250°F (-60°C to +120°C)
- Flammability rating: UL94-5V
- Non-flame propagating



## Standard Materials and Finishes:

- Hot compression molded fiberglass-reinforced thermoset polyester
- Poured polyurethane seamless gasket provides watertight, dusttight environmental seal
- Captive stainless steel screws
- 304 stainless steel used on all external hardware
- Stainless steel beaded cover retention chain on the FPBM series

## Options:

- | Description                                      | Cat. #      |
|--|-------------|
| • Mounting feet kit for field installation ..... | FSJMTGFTKIT |



Inside H x W x D	Holes	Cat. # 30mm Pushbutton	Inside H x W x D	Cat. # 22mm Pushbutton	Inside H x W x D	Holes	Cat. # 30mm Multi-hole Pushbutton	Cat. # Mounting Plate*
6.00 x 3.19 x 3.63	1	FPB31	6.00 x 3.19 x 3.63	FPB21	5.72 x 5.72 x 4.45	4	FPBM34	FMP0606
6.00 x 3.19 x 3.63	2	FPB32	6.00 x 3.19 x 3.63	FPB22	7.73 x 5.74 x 4.45	6	FPBM36	FMP0806
8.26 x 3.19 x 3.63	3	FPB33	6.00 x 3.19 x 3.63	FPB23	9.73 x 7.73 x 3.98	9	FPBM39	FMP1008
10.51 x 3.19 x 3.63	4	FPB34	8.26 x 3.19 x 3.63	FPB24	9.73 x 7.73 x 3.98			
13.19 x 3.03 x 2.87	5	FPB35	10.51 x 3.19 x 3.63	FPB25	11.79 x 9.80 x 4.94			
16.75 x 3.03 x 2.87	6	FPB36	10.51 x 3.19 x 3.63	FPB26	11.79 x 9.80 x 4.94			
16.75 x 3.03 x 2.87	7	FPB37	13.19 x 3.03 x 2.87	FPB27	13.53 x 11.55 x 5.94			

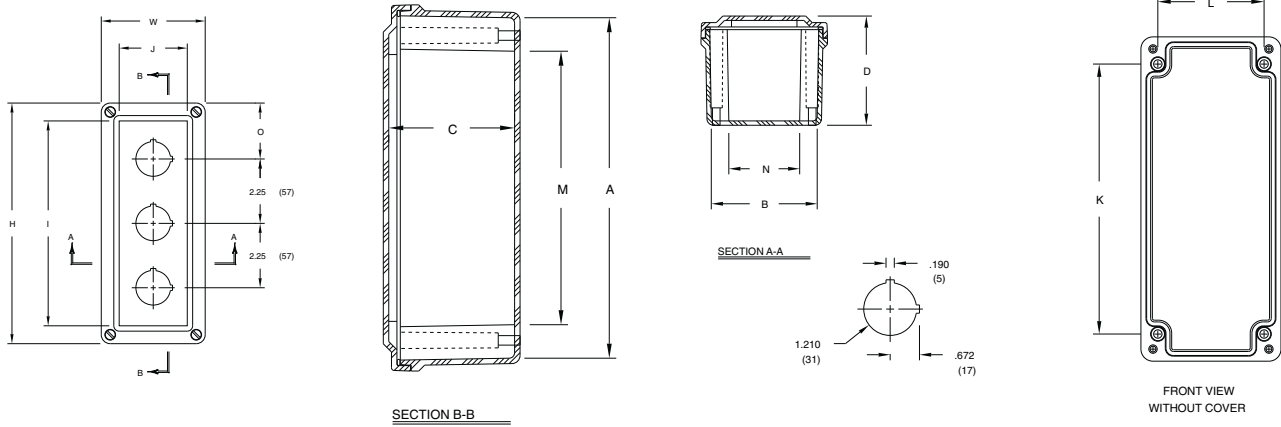
\*Available in: aluminum (SA), fiberglass (FG), carbon steel (C) and 304 stainless steel (SS). To order, add the suffix to the end of the catalog number.

Fiberglass

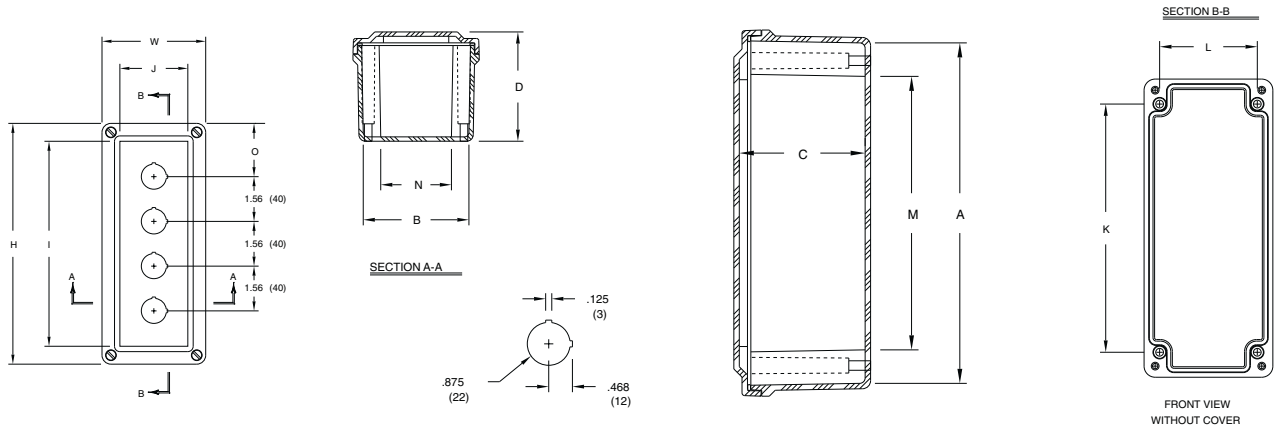
# Fiberglass Enclosures Pushbutton Series

## Dimensional Drawings:

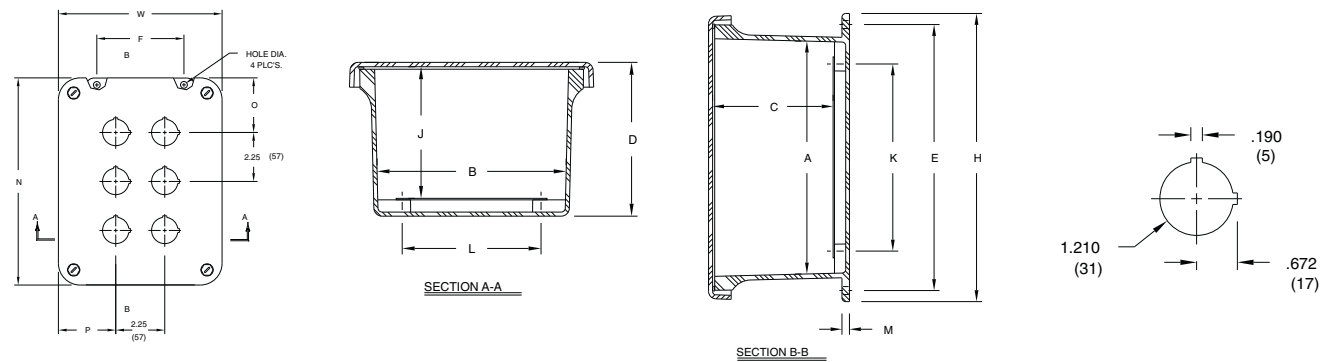
### 30mm



### 22mm



### Multi-hole



# Fiberglass Enclosures

## Pushbutton Series

### 30mm Pushbutton Configuration Dimensions (in Inches (mm)):

Cat. #	Overall H x W x D	Inside A x B x C	I	J	K	L	M	N	O	Weight (Lbs.)
FPB31	6.63 x 3.81 x 3.89 (168 x 97 x 99)	6.00 x 3.19 x 3.63 (153 x 81 x 92)	5.31 (135)	2.50 (64)	4.88 (124)	2.94 (75)	4.13 (105)	2.19 (56)	3.31 (84)	2
FPB32	6.63 x 3.81 x 3.89 (168 x 97 x 99)	6.00 x 3.19 x 3.63 (153 x 81 x 92)	5.31 (135)	2.50 (64)	4.88 (124)	2.94 (75)	4.13 (105)	2.19 (56)	2.19 (56)	2
FPB33	8.88 x 3.81 x 3.89 (225 x 97 x 99)	8.26 x 3.19 x 3.63 (210 x 81 x 92)	7.56 (192)	2.50 (64)	7.13 (181)	2.94 (75)	6.38 (162)	2.19 (56)	2.19 (56)	2
FPB34	11.13 x 3.81 x 3.89 (283 x 97 x 99)	10.51 x 3.19 x 3.63 (267 x 81 x 92)	9.81 (249)	2.50 (64)	9.37 (238)	2.94 (75)	8.63 (219)	2.19 (56)	2.19 (56)	2
FPB35	13.78 x 3.63 x 3.14 (350 x 92 x 80)	13.19 x 3.03 x 2.87 (335 x 77 x 73)	12.53 (318)	2.38 (60)	12.37 (314)	2.75 (70)	11.66 (296)	2.03 (52)	2.39 (61)	2
FPB36	17.35 x 3.63 x 3.14 (441 x 92 x 80)	16.75 x 3.03 x 2.87 (426 x 77 x 73)	16.10 (409)	2.38 (60)	15.94 (405)	2.75 (70)	15.22 (387)	2.03 (52)	3.05 (77)	3
FPB37	17.35 x 3.63 x 3.14 (441 x 92 x 80)	16.75 x 3.03 x 2.87 (426 x 77 x 73)	16.10 (409)	2.38 (60)	15.94 (405)	2.75 (70)	15.22 (387)	2.03 (52)	1.92 (49)	3

### 22mm Pushbutton Configuration Dimensions (in Inches (mm)):

Cat. #	Overall H x W x D	Inside A x B x C	I	J	K	L	M	N	O	Weight (Lbs.)
FPB21	6.63 x 3.81 x 3.89 (168 x 97 x 99)	6.00 x 3.19 x 3.63 (153 x 81 x 92)	5.31 (135)	2.50 (64)	4.88 (124)	2.94 (75)	4.13 (105)	2.19 (56)	3.31 (84)	2
FPB22	6.63 x 3.81 x 3.89 (168 x 97 x 99)	6.00 x 3.19 x 3.63 (153 x 81 x 92)	5.31 (135)	2.50 (64)	4.88 (124)	2.94 (75)	4.13 (105)	2.19 (56)	2.53 (64)	2
FPB23	6.63 x 3.81 x 3.89 (168 x 97 x 99)	6.00 x 3.19 x 3.63 (153 x 81 x 92)	5.31 (135)	2.50 (64)	4.88 (124)	2.94 (75)	4.13 (105)	2.19 (56)	1.75 (44)	2
FPB24	8.88 x 3.81 x 3.89 (225 x 97 x 99)	8.26 x 3.19 x 3.63 (210 x 81 x 92)	7.56 (192)	2.50 (64)	7.13 (181)	2.94 (75)	6.38 (162)	2.19 (56)	2.09 (53)	2
FPB25	11.13 x 3.81 x 3.89 (283 x 97 x 99)	10.51 x 3.19 x 3.63 (267 x 81 x 92)	9.81 (249)	2.50 (64)	9.37 (238)	2.94 (75)	8.63 (219)	2.19 (56)	2.44 (62)	2
FPB26	11.13 x 3.81 x 3.89 (283 x 97 x 99)	10.51 x 3.19 x 3.63 (267 x 81 x 92)	9.81 (249)	2.50 (64)	9.37 (238)	2.94 (75)	8.63 (219)	2.19 (56)	1.66 (42)	3
FPB27	13.78 x 3.63 x 3.14 (350 x 92 x 80)	13.19 x 3.03 x 2.87 (335 x 77 x 73)	12.53 (318)	2.38 (60)	12.37 (314)	2.75 (70)	11.66 (296)	2.03 (52)	2.20 (56)	3

### Multi-hole Pushbutton Configuration Dimensions (in Inches (mm)):

Cat. #	Overall H x W x D	Inside A x B x C	Mounting E x F	J	K	L	M	N	O	P	Hole Dia.	Weight (Lbs.)
FPBM34	7.50 x 7.50 x 4.75 (191 x 191 x 121)	5.72 x 5.72 x 4.45 (145 x 145 x 113)	6.75 x 4.00 (171 x 101)	4.00 (101)	4.25 (108)	4.25 (108)	0.25 (6)	7.52 (191)	2.64 (67)	2.64 (67)	0.31 (8)	2.75
FPBM36	9.62 x 7.50 x 4.74 (244 x 191 x 121)	7.73 x 5.74 x 4.45 (196 x 146 x 113)	8.88 x 4.00 (225 x 101)	4.00 (101)	6.25 (159)	4.25 (108)	0.25 (6)	9.50 (242)	2.64 (67)	2.51 (64)	0.31 (8)	3.50
FPBM39	11.62 x 9.41 x 4.25 (295 x 239 x 108)	9.73 x 7.73 x 3.98 (247 x 196 x 101)	10.75 x 6.00 (273 x 152)	3.50 (89)	8.25 (209)	6.25 (159)	0.25 (6)	11.35 (288)	3.43 (87)	2.45 (62)	0.31 (8)	5.00